

# C 091 A

Male cable connector,  
screw locking,  
right-angled



Description	Drawing	No. of cont.	Part Number solder termination		Part Number Crimp termination <sup>1)</sup>
			Contact plating silver	Contact plating gold <sup>2)</sup>	
Male cable connector, right-angled, for cable diameter 3-6 mm, termination: solder or crimp, contact plating: silver or gold.		2	T 3200 005	–	–
		3 <sup>3)</sup>	T 3260 005	T 3260 058 <sup>4)</sup>	T 3260 055
		4 <sup>3)</sup>	T 3300 005	T 3300 058 <sup>4)</sup>	T 3300 055 <sup>4)</sup>
		5	T 3360 005	T 3360 058	T 3360 055
		5 S <sup>3)</sup>	T 3356 005	T 3356 058 <sup>4)</sup>	T 3356 055 <sup>4)</sup>
		6 <sup>3)</sup>	T 3400 005	T 3400 058	T 3400 055
		7	T 3475 005	T 3475 058 <sup>4)</sup>	T 3475 055 <sup>4)</sup>
		7 <sup>3)</sup>	T 3484 005	T 3484 058 <sup>4)</sup>	T 3484 055 <sup>4)</sup>
		8 <sup>3)</sup>	T 3504 005	T 3504 058 <sup>4)</sup>	T 3504 055 <sup>4)</sup>
		12	T 3635 005	T 3635 058	–
		14	T 3650 005	T 3650 058	–

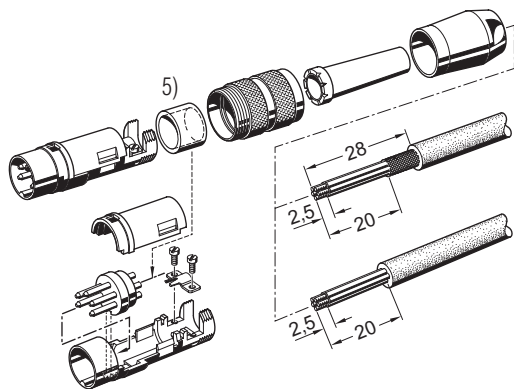
<sup>1)</sup> Please order crimp contacts separately, see page 44

<sup>2)</sup> See remark page 7

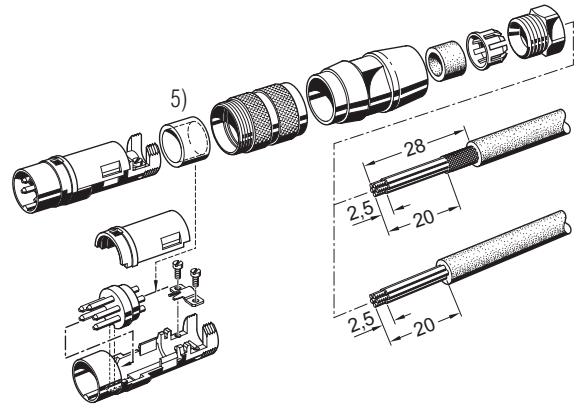
<sup>3)</sup> Contact order for DIN EN 60 130-9

<sup>4)</sup> Available upon request.

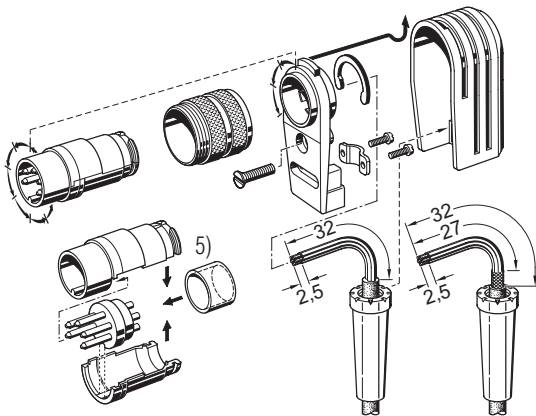
## Assembling instruction <sup>6)</sup> male cable connector, cable diameter 3-6 mm



## Assembling instruction <sup>6)</sup> male cable connector, cable diameter 4-6 mm or 6-8 mm



## Assembling instruction <sup>6)</sup> male cable connector, right-angled, can be keyed to 8 angle positions



<sup>5)</sup> Solder version only

<sup>6)</sup> Assembly Instructions please refer to page 4, connecting instructions