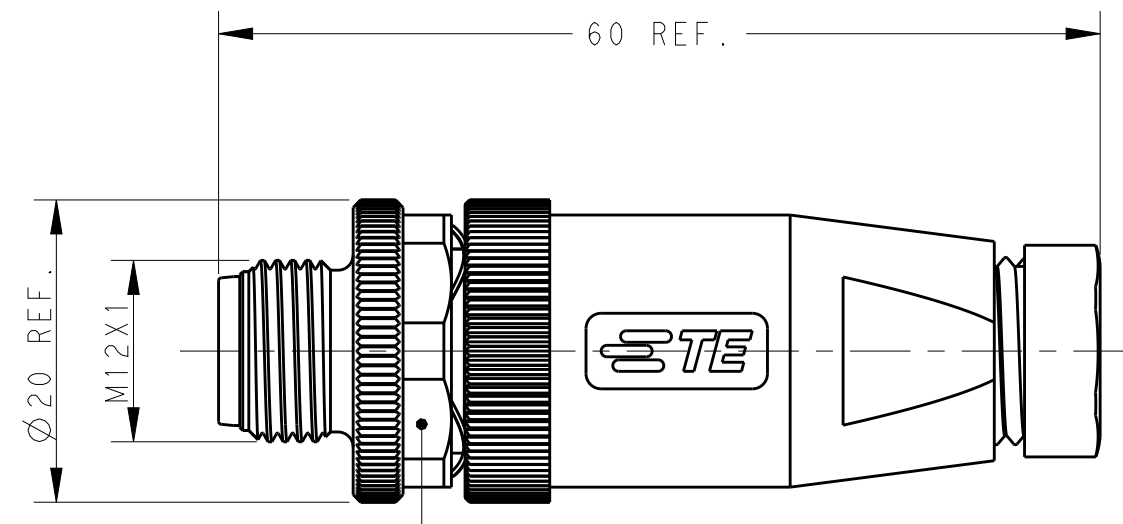
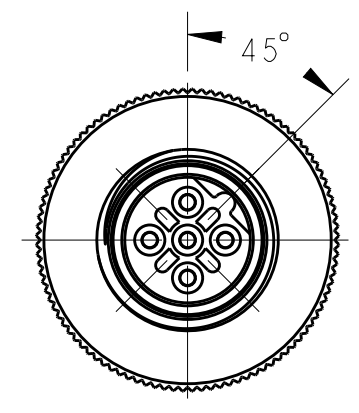
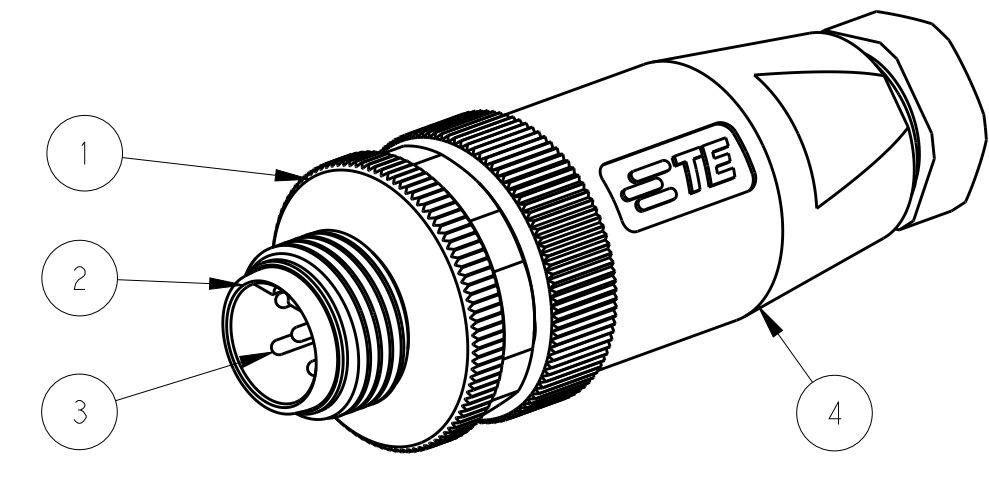


THIS DRAWING IS UNPUBLISHED. RELEASED FOR PUBLICATION 20
 © COPYRIGHT 20 BY - ALL RIGHTS RESERVED.

REVISIONS				
P	LTR	DESCRIPTION	DATE	APVD
A		INITIAL RELEASE	24JUL2015	NP XX
A1		ECR-15-012625	01SEP2015	NP XX
A2		ECR-15-018715 ADD 114 SPEC.	29DEC2015	NP XX



SW18
RECOMMENDED TORQUE 0.6 Nm



TECHNICAL DATA	T411140X02X-000	T411140X03X-000	T411140X04X-000	T411140X05X-000	T411140X08X-000
RATED VOLTAGE	250V	250V	250V	60V	30V
RATED CURRENT	4A	4A	4A	4A	2A
POLLUTION DEGREE	3	3	3	3	3
OVERVOLTAGE CATEGORY	II	II	II	II	II
MATERIAL GROUP	II	II	II	II	II
CONTACT RESISTANCE	≤8mΩ	≤8mΩ	≤8mΩ	≤8mΩ	≤8mΩ
INSULATION RESISTANCE	>100MΩ	>100MΩ	>100MΩ	>100MΩ	>100MΩ
DEGREE OF PROTECTION	IP67	IP67	IP67	IP67	IP67
OPERATION TEMPERATURE	-40~85°C	-40~85°C	-40~85°C	-40~85°C	-40~85°C

- NOTE:
- MATERIAL:
 - ITEM NO.1: NUT -BRASS
 - ITEM NO.2: HOUSING -PA
 - ITEM NO.3: CONTACT -BRASS
 - ITEM NO.4: HOUSING BODY: -PBT+GF
 - CONTACT FINISH: GOLD OVER NICKEL OR SILVER OVER NICKEL
 - CABLE WIRES: 18AWG/0.75mm² Max. FOR 2-5 PINS
 - ALL DIMENSIONS ARE FOR NOMINAL REFERENCE ONLY UNLESS OTHERWISE STATED
 - PACKAGEING: 1PIECE IN A BAG
 - PN INFORMATION

PIN ARRANGEMENT B-CODE		
T411140X02X-000	T411140X03X-000	T411140X04X-000
T411140X05X-000		

T4111402051-000	RPC-M12B-MS-5CON-PG9-MU
T4111401051-000	RPC-M12B-MS-5CON-PG7-MU
T4111402052-000	RPC-M12B-MS-5CON-PG9-M
T4111401052-000	RPC-M12B-MS-5CON-PG7-M
T4111402041-000	RPC-M12B-MS-4CON-PG9-MU
T4111401041-000	RPC-M12B-MS-4CON-PG7-MU
T4111402042-000	RPC-M12B-MS-4CON-PG9-M
T4111401042-000	RPC-M12B-MS-4CON-PG7-M
T4111402031-000	RPC-M12B-MS-3CON-PG9-MU
T4111401031-000	RPC-M12B-MS-3CON-PG7-MU
T4111402032-000	RPC-M12B-MS-3CON-PG9-M
T4111401032-000	RPC-M12B-MS-3CON-PG7-M
T4111402021-000	RPC-M12B-MS-2CON-PG9-MU
T4111401021-000	RPC-M12B-MS-2CON-PG7-MU
T4111402022-000	RPC-M12B-MS-2CON-PG9-M
T4111401022-000	RPC-M12B-MS-2CON-PG7-M
TE PN	TYPE

T411140XXX-000

CONTACT FINISH:
 1: GOLD OVER NICKEL
 2: SILVER OVER NICKEL

NUMBERS OF PINS:
 02: 2 PINS
 03: 3 PINS
 04: 4 PINS
 05: 5 PINS
 08: 8 PINS

CABLE OUTLET:
 1: PG7(CABLE FEED: 4-6mm)
 2: PG9(CABLE FEED: 6-8mm)

BRAND:
 T: W/ TE LOGO
 N: W/O LOGO

THIS DRAWING IS A CONTROLLED DOCUMENT.		DWN HAO WANG 08DEC2014	TE Connectivity	
DIMENSIONS: mm		CHK KOBBY ZHAO 08DEC2014		
TOLERANCES UNLESS OTHERWISE SPECIFIED:		APVD XIANG XU 08DEC2014	NAME M12 MALE, B CODE, STRAIGHT UNSHIELDED CONNECTOR SCREW TERMINAL	
0 PLC ±0.2		PRODUCT SPEC 108-106140	SIZE A2	
1 PLC ±0.2		APPLICATION SPEC 114-137144	CAGE CODE -	
2 PLC ±0.2		WEIGHT -	DRAWING NO. C-T411140XXXX000	
3 PLC ±		CUSTOMER DRAWING	RESTRICTED TO -	
4 PLC ±		SCALE 1:1	SHEET 1 OF 1	
ANGLES FINISH ±		REV A2		