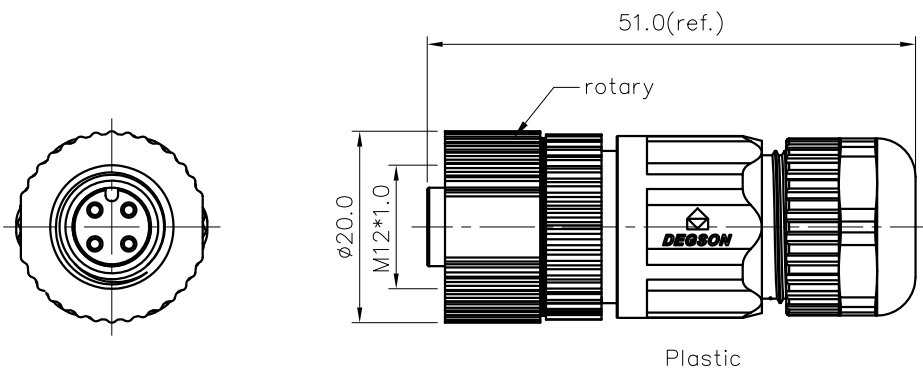


REVISION RECORD

REV	ECN	DESCRIPTION	DRFT	DATE
-----	-----	-------------	------	------



PA-M12X-XXP-FF-SL7001-00A(H)  
 Coding: A,B,D — Pin number: 03,04,05, 06,08,10,12

NOTES:

- Rated voltage/current : 3pin A: 250V / 4A  
 4pin A: 250V / 4A  
 5pin A: 60V / 4A  
 6pin A: 30V / 2A  
 8pin A: 30V / 2A  
 10pin A: 30V / 1.5A  
 12pin A: 30V / 1.5A  
 5pin B: 60V / 4A  
 4pin D: 250V / 4A
- Withstanding voltage : 3,4pin A: AC1500V/1Min  
 5pin A: AC1120V/1Min  
 6,8,10,12pin A: AC500V/1Min  
 5pin B: AC1120V/1Min  
 4pin D: AC1500V/1Min
- Levels of protection: IP67
- Wire range :  
 3pin A: 24~20AWG/0.25~0.52mm<sup>2</sup>  
 4pin A: 24~20AWG/0.25~0.52mm<sup>2</sup>  
 5pin A: 24~20AWG/0.25~0.52mm<sup>2</sup>  
 6pin A: 24~22AWG/0.25~0.34mm<sup>2</sup>  
 8pin A: 24~22AWG/0.25~0.34mm<sup>2</sup>  
 10pin A: 26~22AWG/0.14~0.34mm<sup>2</sup>  
 12pin A: 26~22AWG/0.14~0.34mm<sup>2</sup>  
 5pin B: 24~20AWG/0.25~0.52mm<sup>2</sup>  
 4pin D: 24~20AWG/0.25~0.52mm<sup>2</sup>
- Cable OD: 4~8mm
- Wire connection mode: soldering
- Operating temperature: -25°C~+105°C
- RoHS Compliance

10pin A Coding	12pin A Coding	5pin B Coding	4pin D Coding	
Pin Assignments Front View	Pin Assignments Front View	Pin Assignments Front View	Pin Assignments Front View	
3pin A Coding	4pin A Coding	5pin A Coding	6pin A Coding	8pin A Coding
Pin Assignments Front View	Pin Assignments Front View	Pin Assignments Front View	Pin Assignments Front View	Pin Assignments Front View

DETACHED LISTS	PART NO.: PAM12XXXPFSL700100AH	宁波高松电子有限公司 NINGBO DEGSON ELECTRICAL CO., LTD		
	APPD:	NAME: PA-M12X-XXP-FF-SL7001-00A(H)		
	CHKD:	DRFT: LZ 2018.10.08		
	THIRD ANGLE PROJECTION		TITLE: CUSTOMER DRAWING	REV: D0-1
			DRAWING NO.: XXXXXXXX-XX-CXX	SHEET: 1/1
		DO NOT SCALE DRAWING	SCALE: 1:1	