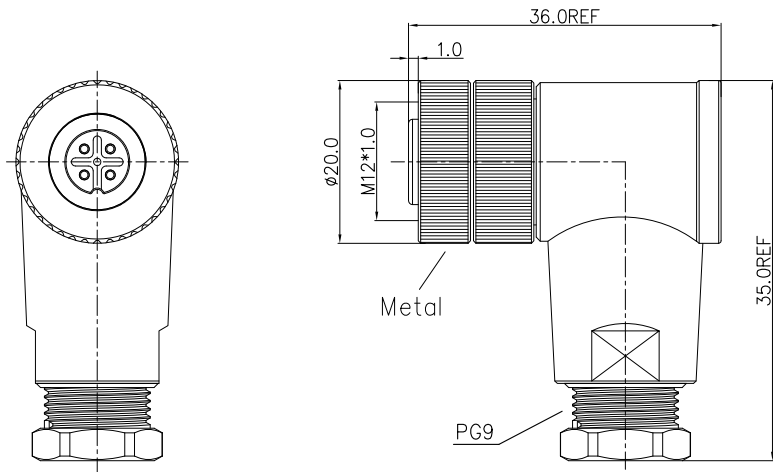


REVISION RECORD				
REV	ECN	DESCRIPTION	DRFT	DATE



Plastic

TERMINATION: SCREW

Detailed product Description:
 1. Waterproof connector rating is IP65/IP67
 2. Protected from dust and water during immersion, resistant to many oils and chemical etc
 3. Wire cross section: 0.25mm²

Electrical character:
 1. Rating voltage: 60V AC/DC
 2. Insulation resistance: >100MΩ
 3. Rating current: 3A
 4. Contact resistance of the connector ≤ 10 mΩ

Other Specification:
 1. Contact PIN: Phosphor Copper with Gold plating
 2. Coupling nut/screw: Brass with nickel plating
 3. Insulation plastic: PA66+GF
 4. Degree of protection: IP65
 5. Operating temperature: -25℃ ~ +85℃

Prat Number	Contacts	Rated Voltage		Rated Current	Contact Resistance	Cable OD (mm)
		A/C	D/C			
SM12-PRP-A3W-1B9		250V	250V	4A	10mΩ	6~8
SM12-PRP-A4W-1B9		250V	250V	4A	10mΩ	6~8
SM12-PRP-A5W-1B9		60V	60V	4A	10mΩ	6~8
SM12-PRP-A8W-1B9		30V	30V	2A	10mΩ	6~8
SM12-PRP-A12W-1B9		30V	30V	1.5A	10mΩ	6~8
SM12-PRP-B5W-1B9		60V	60V	4A	10mΩ	6~8
SM12-PRP-D4W-1B9		250V	250V	4A	10mΩ	6~8

DETACHED LISTS	PART NO.:	/				
	APPD:	Alam 9/10/15"		NAME:		
	CHKD:	Aaron 9/2/15"		SM12-PRP-XXW-1B9		
	DRFT:	CKZ 08/11/15"		TITLE: CUSTOMER DRAWING	REV	DO
	 THIRD ANGLE PROJECTION		DRAWING NO.: SM12-PRP-A4F-1B9	SHEET	1/1	
		MM (INCH)	DO NOT SCALE DRAWING	SCALE	1:1	