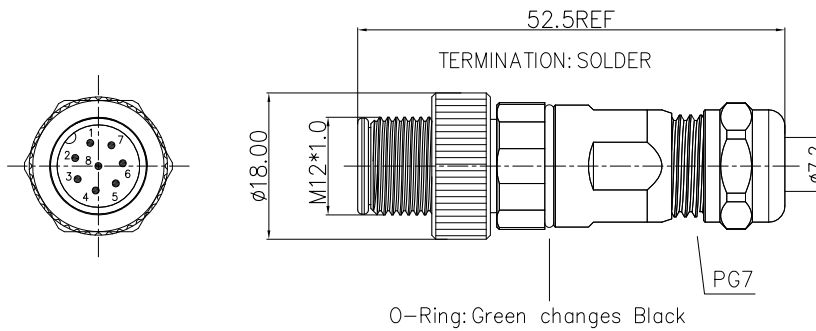


REVISION RECORD

REV	ECN	DESCRIPTION	DRFT	DATE
-----	-----	-------------	------	------



Detailed product Description:

1. Waterproof connector rating is IP65
2. Protected from dust and water during immersion, resistant to many oils and chemical etc
3. Wire cross section: 0.34mm<sup>2</sup>(AWG22)

Electrical character:

1. Rating voltage: 30V AC/DC
2. Insulation resistance: >100MΩ
3. Rating current: 2A
4. Contact resistance of the connector ≤10 mΩ

Other Specification:

1. Contact PIN: Phosphor Copper with Gold plating
2. Coupling nut/screw: Brass with nickel plating
3. Insulation plastic: PA66+GF
4. Degree of protection: IP65
5. Operating temperature: -25℃~+85℃

Electrical character

Prat Number	Contacts	Rated Voltage		Rated Current	Contact Resistance	Cable OD (mm)
		A/C	D/C			
SM12-CVC-A3M-1B7		250V	250V	4A	10mΩ	4~6
SM12-CVC-A4M-1B7		250V	250V	4A	10mΩ	4~6
SM12-CVC-A5M-1B7		60V	60V	4A	10mΩ	4~6
SM12-CVC-A8M-1B7		30V	30V	2A	10mΩ	4~6
SM12-CVC-A12M-1B7		30V	30V	1.5A	10mΩ	4~6
SM12-CVC-B5M-1B7		60V	60V	4A	10mΩ	4~6
SM12-CVC-D4M-1B7		250V	250V	4A	10mΩ	4~6

DETACHED LISTS	PART NO.: /	宁波高松电子有限公司 NINGBO DEGSON ELECTRICAL CO., LTD		
	APPD: Alam 9/10/15"	NAME: SM12-CVC-XXM-1B7		
	CHKD: Aaron9/2/15"	DRFT: CKZ 08/11/15"		TITLE: CUSTOMER DRAWING
	THIRD ANGLE PROJECTION		DRAWING NO.:	REV
		MM (INCH)	SHEET	1/1
		DO NOT SCALE DRAWING	SCALE	1:1