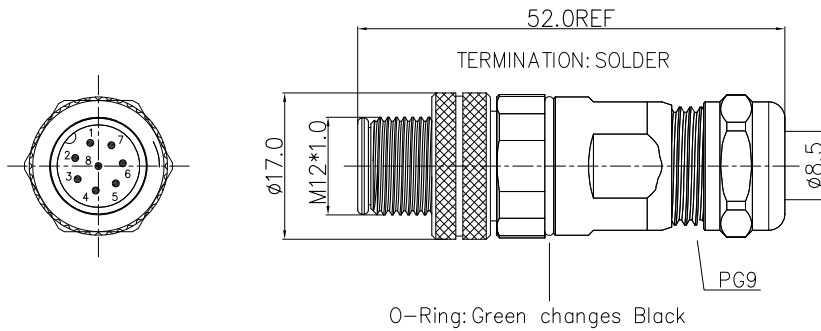


REVISION RECORD				
REV	ECN	DESCRIPTION	DRFT	DATE



Detailed product Description:

1. Waterproof connector rating is IP65
2. Protected from dust and water during immersion, resistant to many oils and chemical etc

Electrical character:

1. Rating voltage: 30V AC/DC
2. Insulation resistance: >100MΩ
3. Rating current: 2A
4. Contact resistance of the connector ≤10 mΩ

Other Specification:

1. Contact PIN: Phosphor Copper with Gold plating
2. Coupling nut/screw: Brass with nickel plating
3. Insulation plastic: PA66+GF
4. Degree of protection: IP65
5. Operating temperature: -25℃ ~ +85℃

Electrical character

Prat Number	Contacts	Rated Voltage		Rated Current	Contact Resistance	Cable OD (mm)
		A/C	D/C			
SM12-CVC-A3M-1B9		250V	250V	4A	10mΩ	6~8
SM12-CVC-A4M-1B9		250V	250V	4A	10mΩ	6~8
SM12-CVC-A5M-1B9		60V	60V	4A	10mΩ	6~8
SM12-CVC-A8M-1B9		30V	30V	2A	10mΩ	6~8
SM12-CVC-A12M-1B9		30V	30V	1.5A	10mΩ	6~8
SM12-CVC-B5M-1B9		60V	60V	4A	10mΩ	6~8
SM12-CVC-D4M-1B9		250V	250V	4A	10mΩ	6~8

DETACHED LISTS	PART NO.: /	宁波高松电子有限公司 NINGBO DEGSON ELECTRICAL CO., LTD		
	APPD: Alam 9/10/15"	NAME: SM12-CVC-XXM-1B9		
	CHKD: Aaron9/2/15"	TITLE: CUSTOMER DRAWING		
	DRFT: CKZ 08/11/15"	REV	DO	
		DRAWING NO.: SM12-CVC-AXM-1B9	SHEET	1/1
THIRD ANGLE PROJECTION	MM (INCH)	DO NOT SCALE DRAWING	SCALE 1:1	