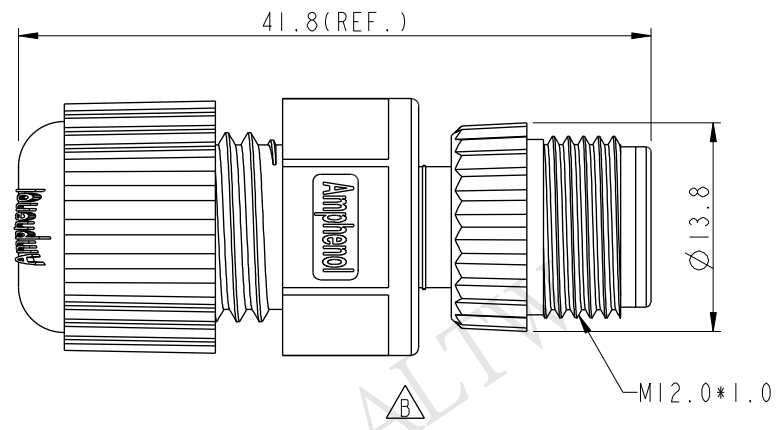
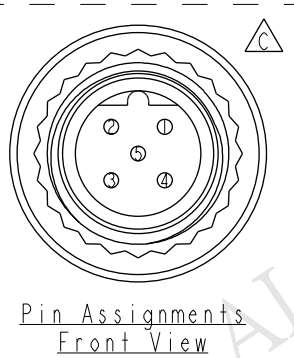
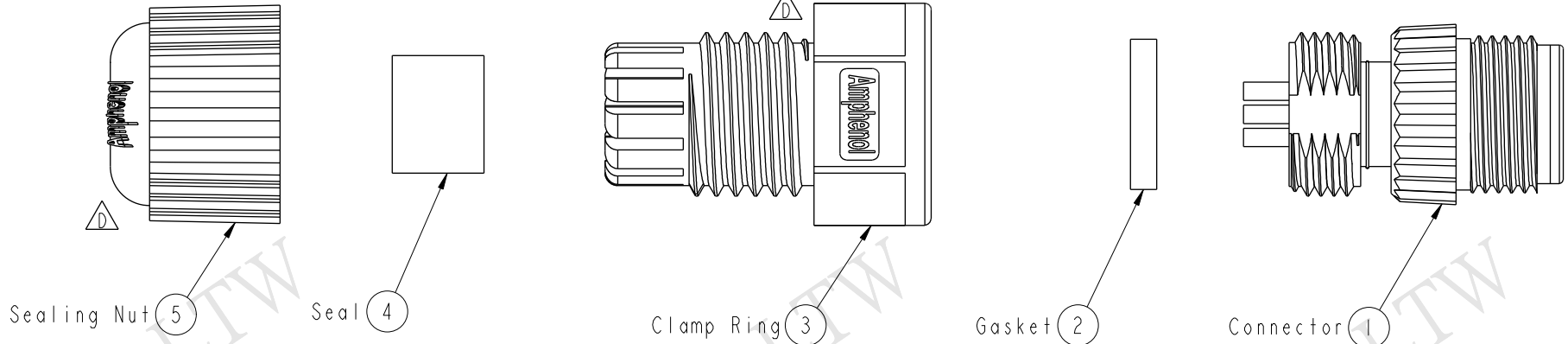


REV.	ECN NO.	DATE	SIGN	DESCRIPTION
B	LEN-6B0130	2006/11/11	Jerry	Remove the section
C	LEN1340077	2013/04/18	Yulong	Update The Drawing
D	LEN14C0431	2014/12/15	Vicky	Update Logo

ALTW  
CONFIDENTIAL  
2014-12-15  
R&D DEPT.

ALTW  
DCC. DEPT.  
CONFIDENTIAL  
2014.12.23  
ISSUED



- Note:
- \* Waterproof Rate: IP68  
IP68: 1M Depth Of Water In 24hours
  - \* Housing: Nylon+GF, Black
  - \* Male Pin: Copper Alloy, Gold Plated
  - \* Screw Nut: Nylon+GF, Black
  - \* Gasket: EPDM, Black
  - \* Clamp Ring: Nylon, Black
  - \* Seal: EPDM, Black
  - \* Sealing Nut: Nylon, Black
  - \* Seal For Cable OD:  $\varnothing 4.5\text{mm} \sim \varnothing 6.5\text{mm}$

UNIT:mm  	TITLE M12 B Conn Assy Screw 5Pin M Conn M Pin			<b>Amphenol LTW</b> 安費諾亮泰企業股份有限公司	ITEM NO SBP-05BMMA-SL8001	DRAWN BY Vicky	DATE 2014-12-15	
	TOLERANCE .X ±0.25 .XX ±0.1 .XXX ±0.05 ANGLES ±1°	SCALE 2:1	SIZE A4		SHEET 1 OF 1	DWG NO SBP-05BMMA-SL8001	CHECKED BY Sam	DATE 2014-12-15
	REV. D	WC-REV. A.3	QC: Inspection item		CUSTOMER ALTW	APPROVED BY Rita	DATE 2014-12-15	
	F2014121501				F2014121501		F2014121501	

THIS DOCUMENT IS SUBJECT TO CHANGE WITHOUT NOTICE. IT IS CONFIDENTIAL AND A PROPERTY OF Amphenol LTW. DISCLOSURE TO THIRD PARTY HAS TO BE AUTHORIZED BY Amphenol LTW.