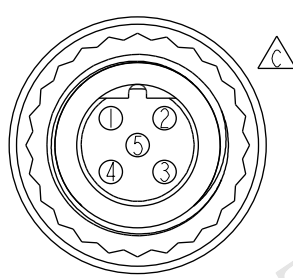
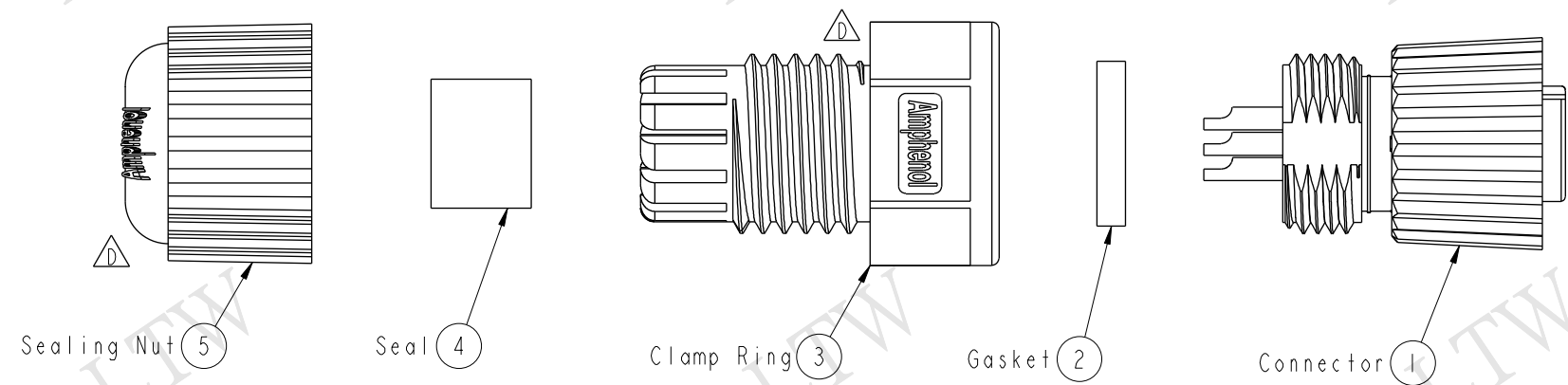


THIS DOCUMENT IS SUBJECT TO CHANGE WITHOUT NOTICE. IT IS CONFIDENTIAL AND A PROPERTY OF Amphenol LTW. DISCLOSURE TO THIRD PARTY HAS TO BE AUTHORIZED BY Amphenol LTW.

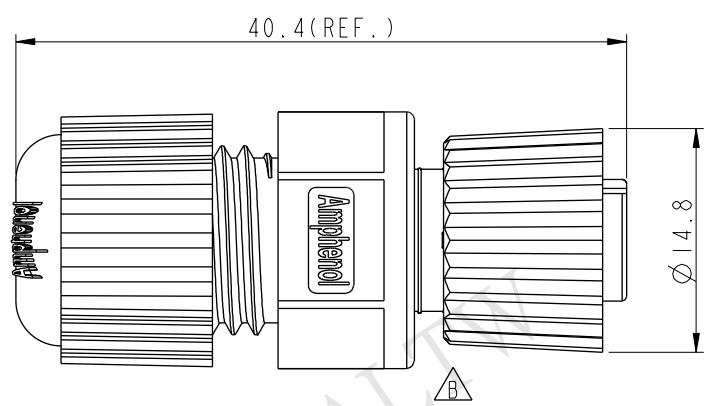
REV.	ECN NO.	DATE	SIGN	DESCRIPTION
B	LEN-6B0127	2006/11/11	Jerry	Remove the section
C	LEN1340076	2013/04/18	Yulong	Update The Drawing
D	LEN14C0430	2014/12/15	Vicky	Update Logo

**ALTW**  
 CONFIDENTIAL  
 2014-12-15  
 R&D DEPT.

**ALTW**  
 DCC. DEPT.  
 CONFIDENTIAL  
 2014.12.23  
 ISSUED



Pin Assignments  
Front View



- Note:
- \* Waterproof Rate: IP68
  - IP68: 1M Depth Of Water In 24hours
  - \* Housing: Nylon+GF, Black
  - \* Female Pin: Copper Alloy, Gold Plated
  - \* Screw Nut: Nylon+GF, Black
  - \* O-Ring: Viton, Green
  - \* Gasket: EPDM, Black
  - \* Clamp Ring: Nylon, Black
  - \* Seal: EPDM, Black
  - \* Sealing Nut: Nylon, Black
  - \* Seal For Cable OD:  $\varnothing 4.5\text{mm} \sim \varnothing 6.5\text{mm}$

UNIT:mm 	TITLE M12 B Code Assy Screw 5Pin F Conn F Pin			<b>Amphenol LTW</b> 安費諾亮泰企業股份有限公司	ITEM NO SBP-05BFFA-SL8001	DRAWN BY Vicky	DATE 2014-12-15
	SCALE 2:1	SIZE A4	SHEET 1 OF 1		DWG NO SBP-05BFFA-SL8001	CHECKED BY Sam	DATE 2014-12-15
	REV. D	WC-REV. A.3	QC: Inspection item		CUSTOMER ALTW	APPROVED BY Rita	DATE 2014-12-15