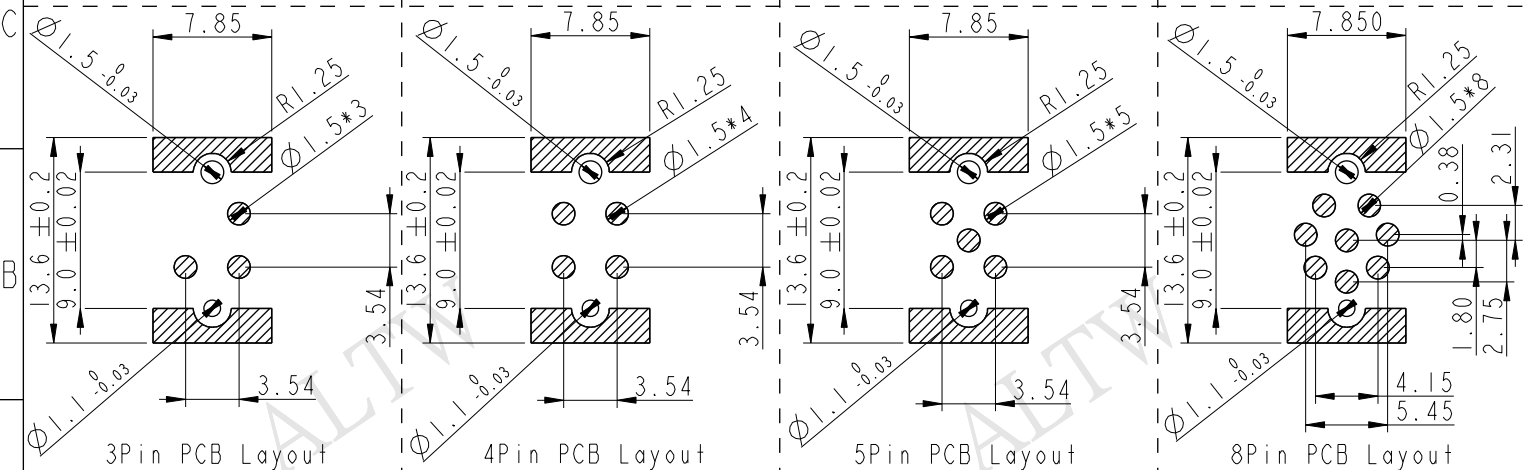
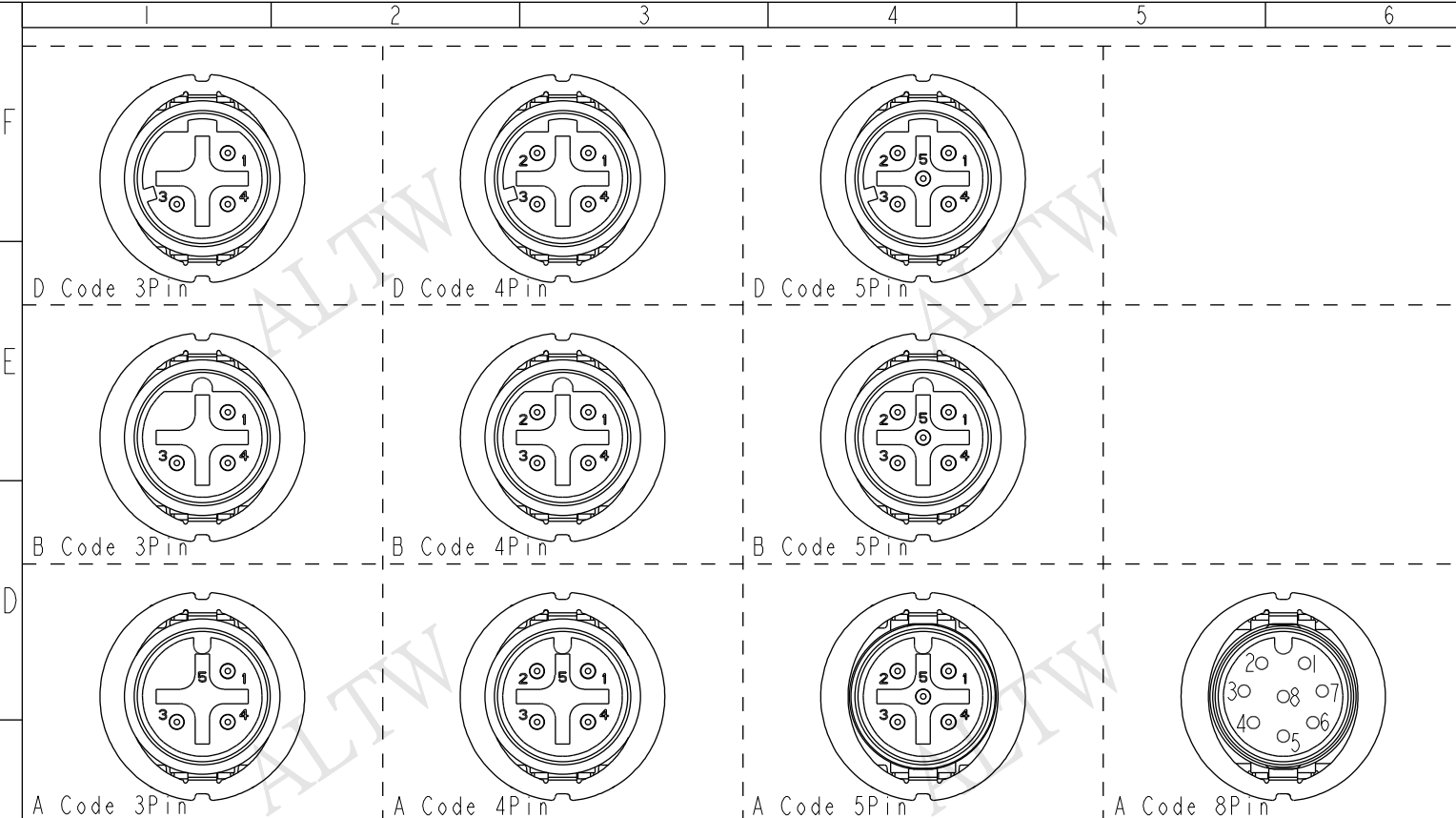


THIS DOCUMENT IS SUBJECT TO CHANGE WITHOUT NOTICE. IT IS CONFIDENTIAL AND A PROPERTY OF Amphenol LTW. DISCLOSURE TO THIRD PARTY HAS TO BE AUTHORIZED BY Amphenol LTW.

ALTW
CONFIDENTIAL
 2018-03-19
R&D DEPT.

ALTW
 DCC. DEPT.
CONFIDENTIAL
 2018.04.18
ISSUED



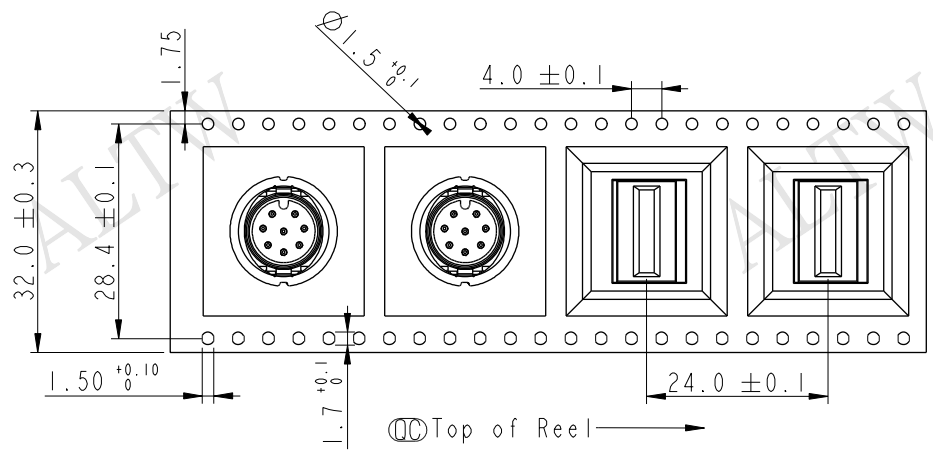
UNIT: mm TOLERANCE .X ±0.25 .XX ±0.1 .XXX ±0.05 ANGLES ±1°	TITLE M12 M CONN M PIN SMT TYPE		
	SCALE 1:1	SIZE A4	SHEET 2 OF 4
	REV. B	WC-REV. A.3	(QC): Inspection item

Amphenol LTW
安費諾亮泰企業股份有限公司

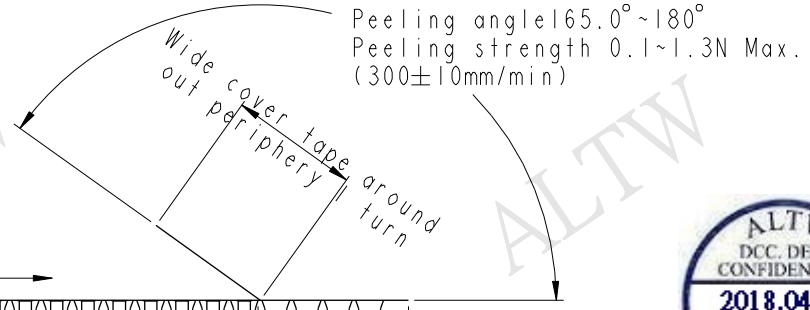
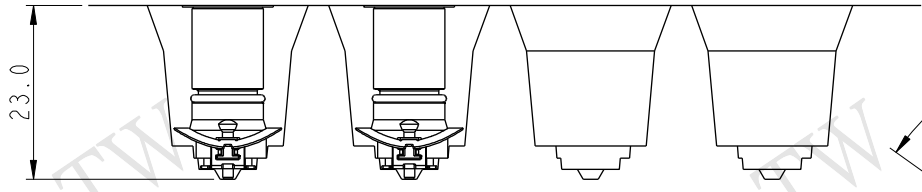
ITEM NO MSXS-XXPMT-EE8XXX	DRAWN BY Jason Yu	DATE 2018/03/19
DWG NO MSXS-XXPMT-EE8XXX	CHECKED BY Arvin Chan	DATE 2018/03/19
CUSTOMER ALTW	APPROVED BY Kevin Hu	DATE 2018/03/19

THIS DOCUMENT IS SUBJECT TO CHANGE WITHOUT NOTICE. IT IS CONFIDENTIAL AND A PROPERTY OF Amphenol LTW. DISCLOSURE TO THIRD PARTY HAS TO BE AUTHORIZED BY Amphenol LTW.

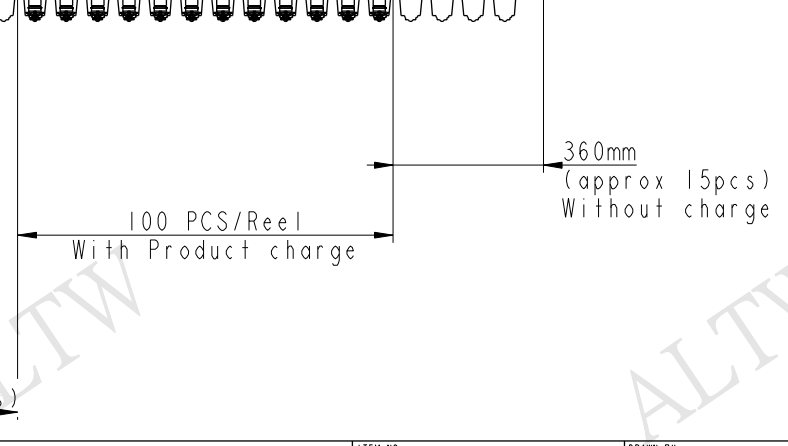
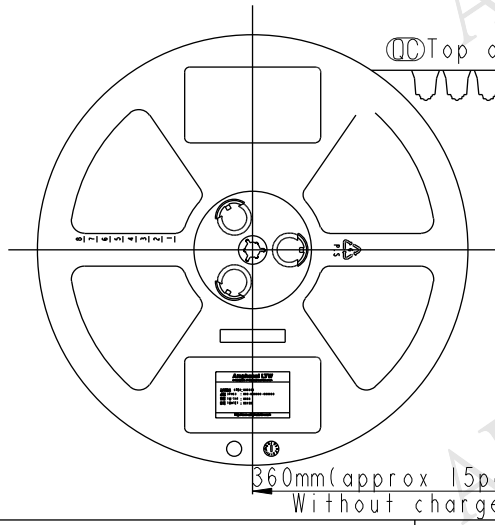
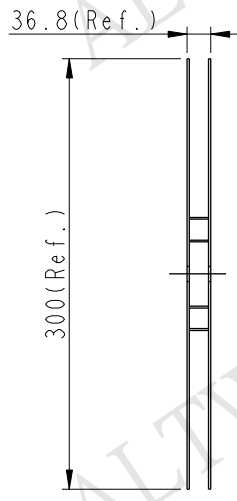
ALTW
CONFIDENTIAL
 2018-03-19
R&D DEPT.



Note :
 ◎◎ * Connector Orientat follow Drawing



ALTW
 DCC. DEPT.
 CONFIDENTIAL
 2018.04.18
ISSUED



UNIT: mm		
TOLERANCE	.X ±0.25	
.XX ±0.1		
.XXX ±0.05		
ANGLES	±1°	

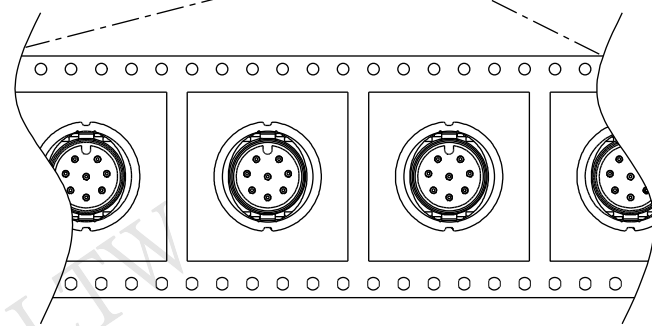
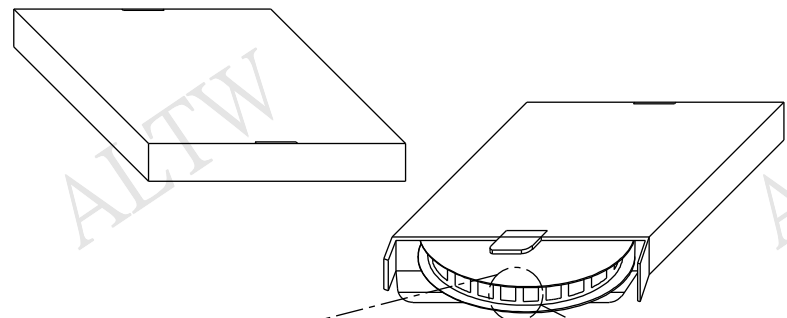
TITLE M12 M CONN M PIN SMT TYPE			
SCALE 1:1	SIZE A4	SHEET 3 OF 4	
REV. B	WC-REV. A.3	◎◎: Inspection item	

Amphenol LTW
 安費諾亮泰企業股份有限公司

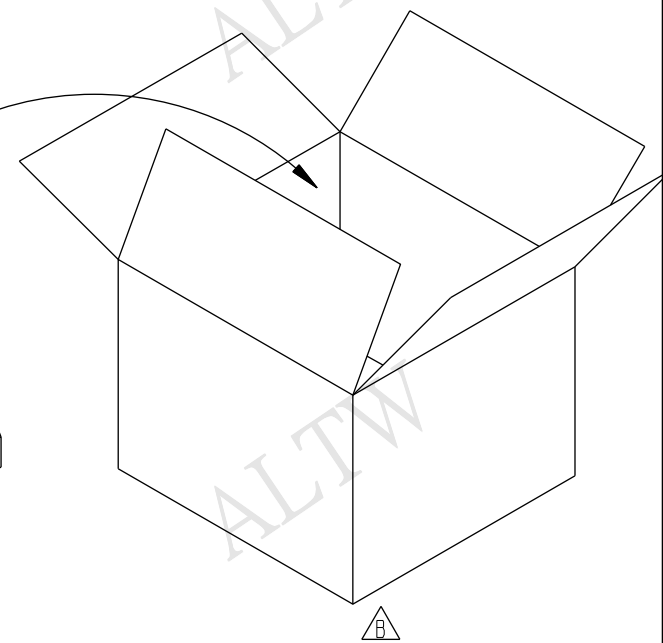
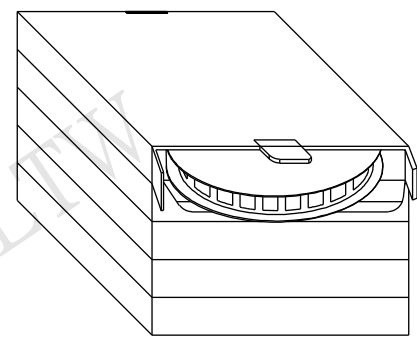
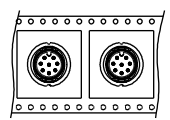
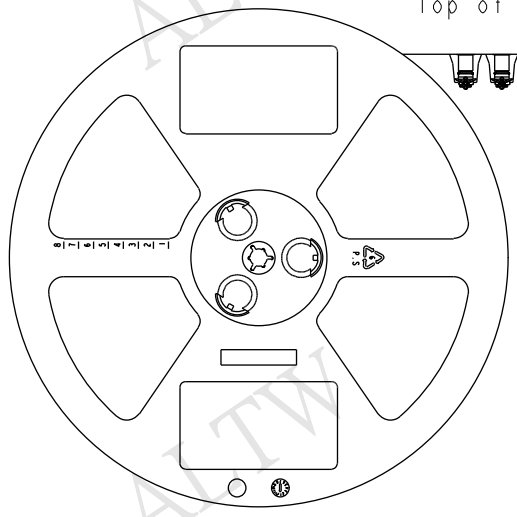
ITEM NO	DRAWN BY Jason Yu	DATE 2018/03/19
DWG NO MSXS-XXPMMT-EE8XXX	CHECKED BY Arvin Chan	DATE 2018/03/19
CUSTOMER ALTW	APPROVED BY Kevin Hu	DATE 2018/03/19

THIS DOCUMENT IS SUBJECT TO CHANGE WITHOUT NOTICE. IT IS CONFIDENTIAL AND A PROPERTY OF AMPHENOL LTW. DISCLOSURE TO THIRD PARTY HAS TO BE AUTHORIZED BY AMPHENOL LTW.

ALTW
CONFIDENTIAL
2018-03-19
R&D DEPT.



Top of Reel →



Note:
 100 PCS(Connector)/Tape&Reel Put in a Box
 5PCS(Max.) Box Put in a Carton

ALTW
DCC. DEPT.
CONFIDENTIAL
2018.04.18
ISSUED

UNIT: mm		
TOLERANCE	.X	±0.25
	.XX	±0.1
	.XXX	±0.05
ANGLES		±1°

TITLE MI2 M CONN M PIN SMT TYPE			
SCALE	1:1	SIZE	A4
		SHEET	4 OF 4
REV.	B	WC-REV.	A.3
		QC: Inspection item	

Amphenol LTW
安費諾亮泰企業股份有限公司

ITEM NO	
DWG NO	MSXS-XXPMT-EE8XXX
CUSTOMER	ALTW

DRAWN BY	Jason Yu
CHECKED BY	Arvin Chan
APPROVED BY	Kevin Hu

DATE	2018/03/19
DATE	2018/03/19
DATE	2018/03/19