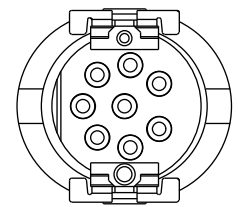
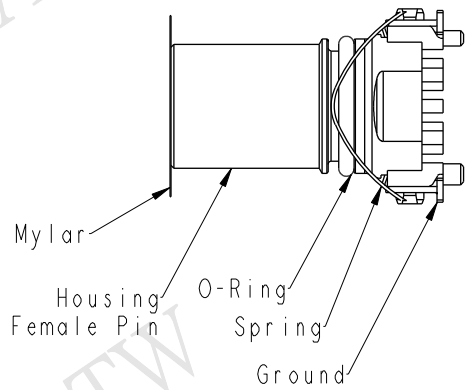
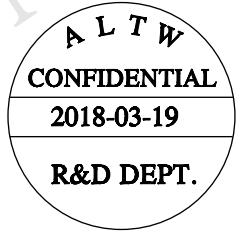


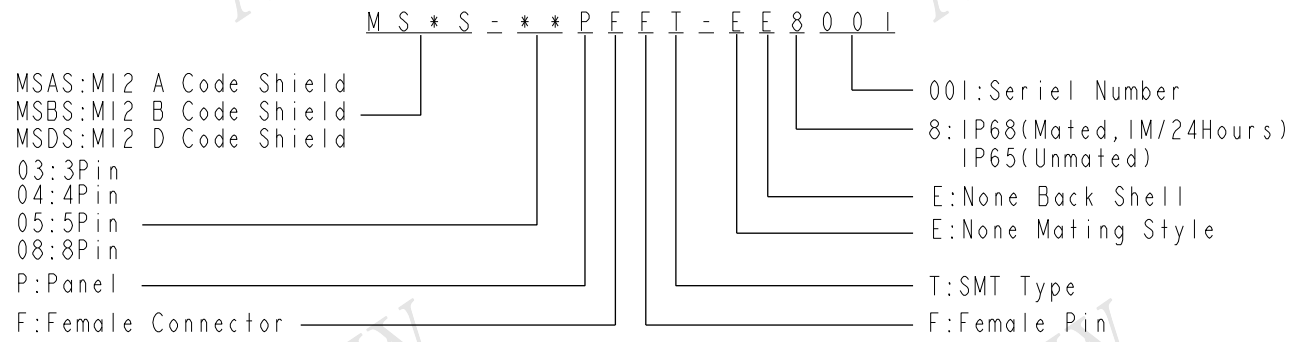


REV.	ECN NO.	DATE	SIGN	DESCRIPTION
A	Initial Release	2017/12/15	Arvin Chan	Change Rev.01 To Rev.A
B	LEN1840025~9	2018/03/19	Jason Yu	Modify Note & Update Box



Note:

- \*  $\varnothing$  Important Dimension,
- Material Specification :
  - \* Housing : Thermoplastic
  - \* Female Pin : Copper Alloy, Gold Plated
  - \* Ground : Copper Alloy, Tin Plated
  - \* Spring : Stainless Steel
  - \* O-Ring : Silicone, Black
- Electrical Specification :
  - \* Contact Resistance :  $10m\Omega$  Max.
  - \* Insulation Resistance :  $100M\Omega$  min.
  - \* Dielectric Withstanding Voltage : 1KV
  - \* Rated Voltage : 3Pin&4Pin 250V d.c. or a.c.  
5Pin 60V d.c. or a.c.  
8Pin 30V d.c. or a.c.
  - \* Rated Current : 3Pin,4Pin&5Pin 4A  
8Pin 2A
- Mechanical Specification :
  - \* Durability : 1000 Cycles(IEC : 100 Cycles)
- Environmental Specification :
  - \* Temperature Range : -55~125°C
  - \* Salt Spray : 48h
  - \* SMT Temperature & Time : 260°C/5Sec
  - \* SMT Paste : 0.12mm min.



UNIT: mm	
TOLERANCE	
.X	$\pm 0.25$
.XX	$\pm 0.1$
.XXX	$\pm 0.05$
ANGLES	$\pm 1^\circ$

TITLE M12 F CONN F PIN SMT TYPE			
SCALE 1:1	SIZE A4	SHEET 1 OF 4	
REV. B	WC-REV. A.2	QC: Inspection item	

**Amphenol LTW**  
 安費諾亮泰企業股份有限公司

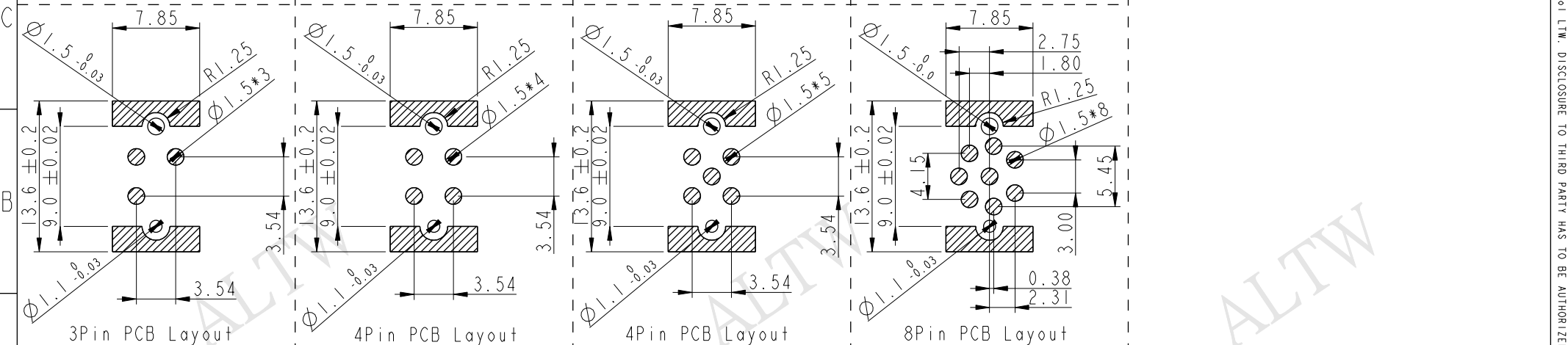
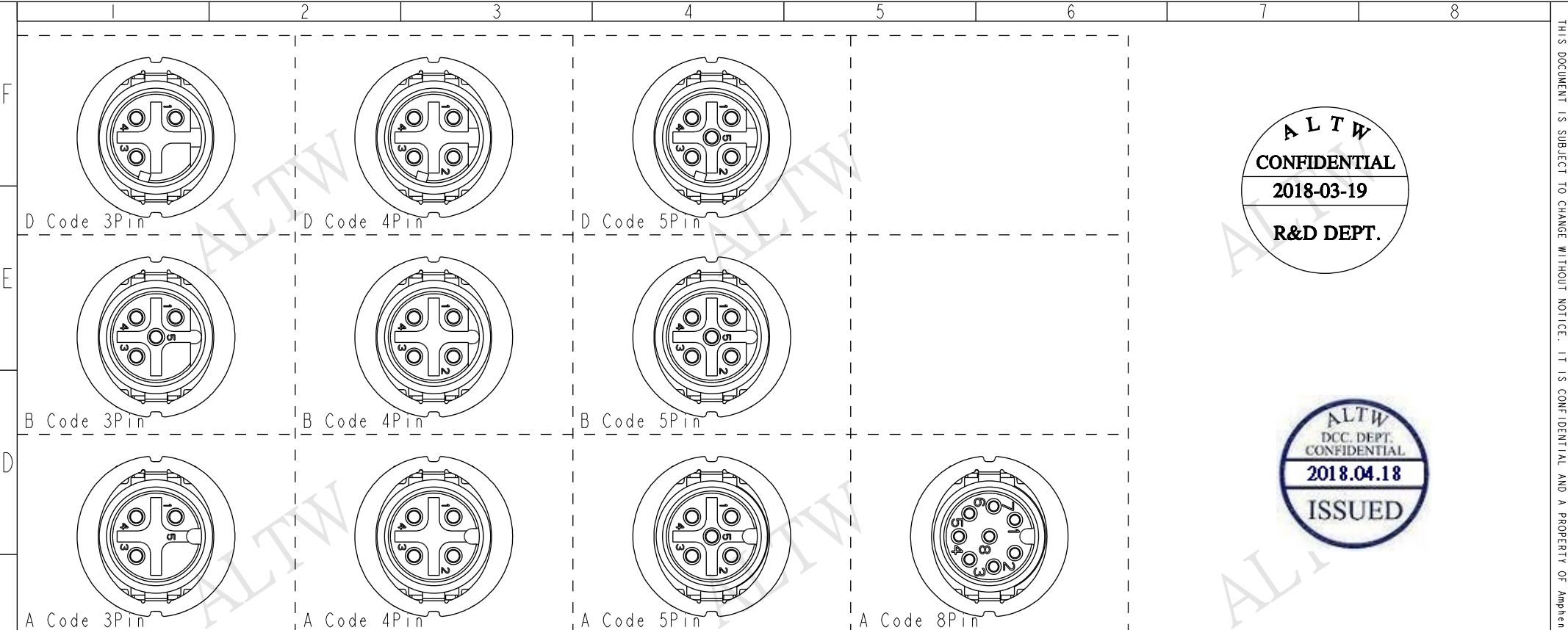
ITEM NO	DRAWN BY Jason Yu	DATE 2018/03/19
DWG NO MSXS-XXPFFT-EE8XXX	CHECKED BY Arvin Chan	DATE 2018/03/19
CUSTOMER ALTW	APPROVED BY Kevin Hu	DATE 2018/03/19

THIS DOCUMENT IS SUBJECT TO CHANGE WITHOUT NOTICE. IT IS CONFIDENTIAL AND A PROPERTY OF AMPHENOL LTW. DISCLOSURE TO THIRD PARTY HAS TO BE AUTHORIZED BY AMPHENOL LTW.

THIS DOCUMENT IS SUBJECT TO CHANGE WITHOUT NOTICE. IT IS CONFIDENTIAL AND A PROPERTY OF Amphenol LTW. DISCLOSURE TO THIRD PARTY HAS TO BE AUTHORIZED BY Amphenol LTW.

**ALTW**  
**CONFIDENTIAL**  
 2018-03-19  
**R&D DEPT.**

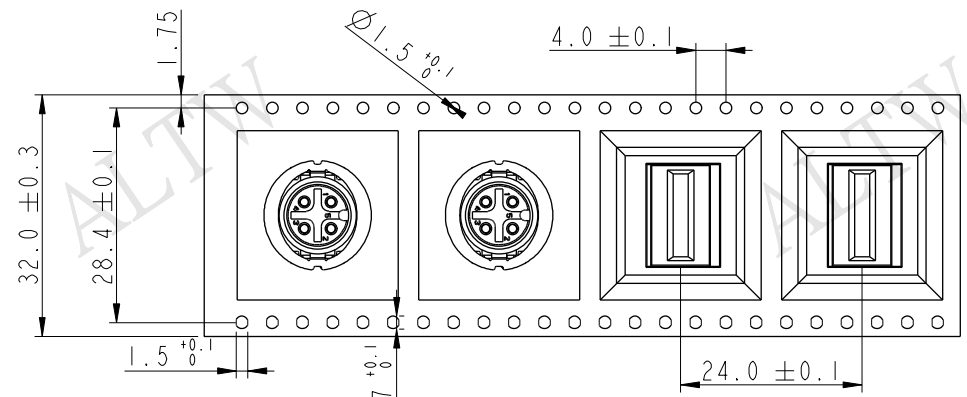
**ALTW**  
 DCC. DEPT. CONFIDENTIAL  
 2018.04.18  
**ISSUED**



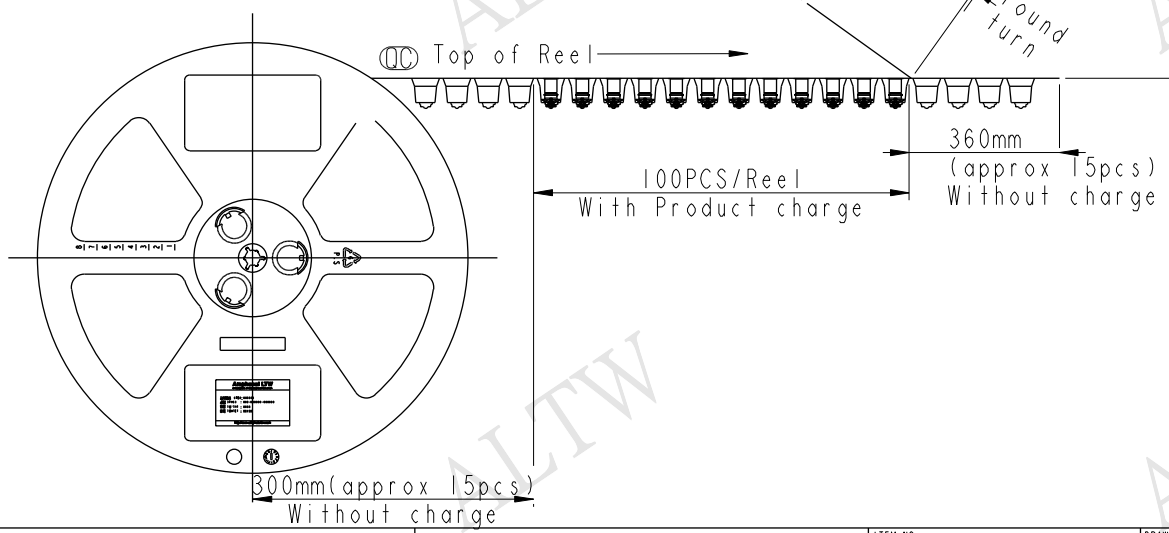
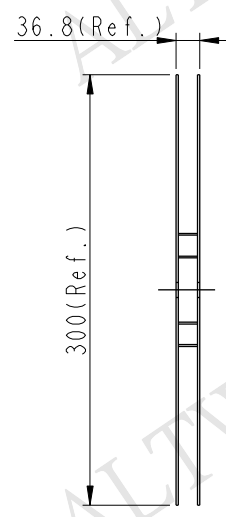
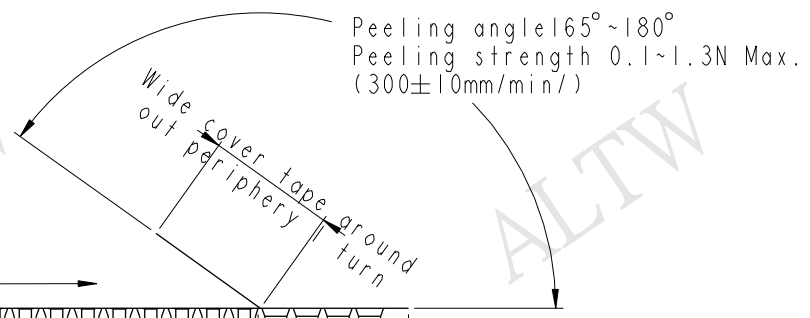
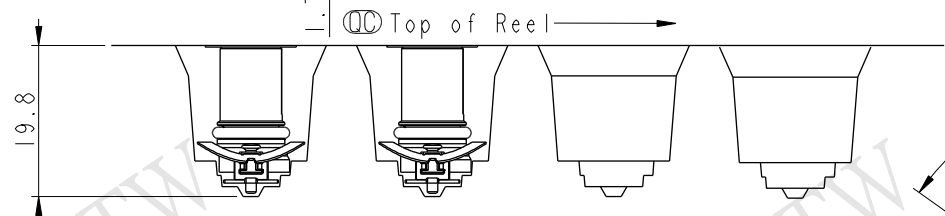
UNIT: mm  TOLERANCE .X ±0.25 .XX ±0.1 .XXX ±0.05 ANGLES ±1°	TITLE <b>M12 F CONN F PIN SMT TYPE</b>			<b>Amphenol LTW</b> 安費諾亮泰企業股份有限公司		ITEM NO	DRAWN BY	DATE
	SCALE	SIZE	SHEET	OF	4	DWG NO	CHECKED BY	DATE
	REV.	WC-REV.	.0  Inspection item		CUSTOMER	APPROVED BY	DATE	
						ALTW	Jason Yu	2018/03/19
							Arvin Chan	2018/03/19
							Kevin Hu	2018/03/19

THIS DOCUMENT IS SUBJECT TO CHANGE WITHOUT NOTICE. IT IS CONFIDENTIAL AND A PROPERTY OF Amphenol LTW. DISCLOSURE TO THIRD PARTY HAS TO BE AUTHORIZED BY Amphenol LTW.

**ALTW**  
**CONFIDENTIAL**  
 2018-03-19  
**R&D DEPT.**



NOTE:  
 (CC)\* Connector Orient follow Drawing



**ALTW**  
**DCC. DEPT.**  
**CONFIDENTIAL**  
 2018.04.18  
**ISSUED**

UNIT: mm		
TOLERANCE	.X ±0.25	
	.XX ±0.1	
	.XXX ±0.05	
ANGLES	±1°	

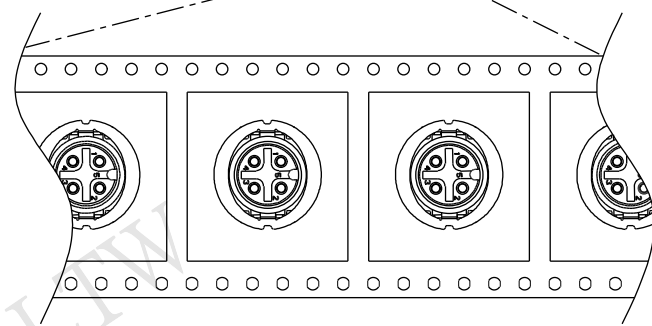
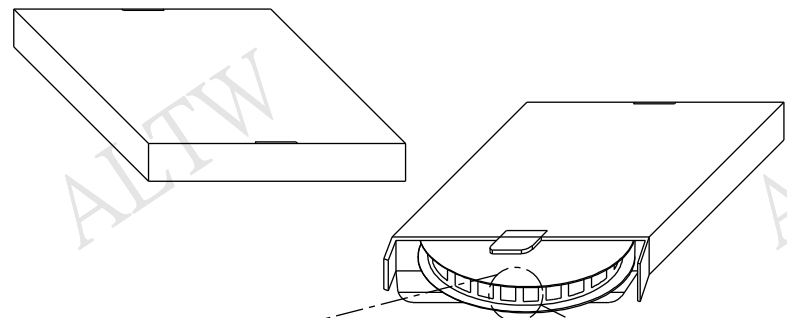
TITLE M12 F CONN F PIN SMT TYPE			
SCALE	1:1	SIZE	A4
		SHEET	3 OF 4
REV.	B	WC-REV.	.0
(CC): Inspection item			

**Amphenol LTW**  
 安費諾亮泰企業股份有限公司

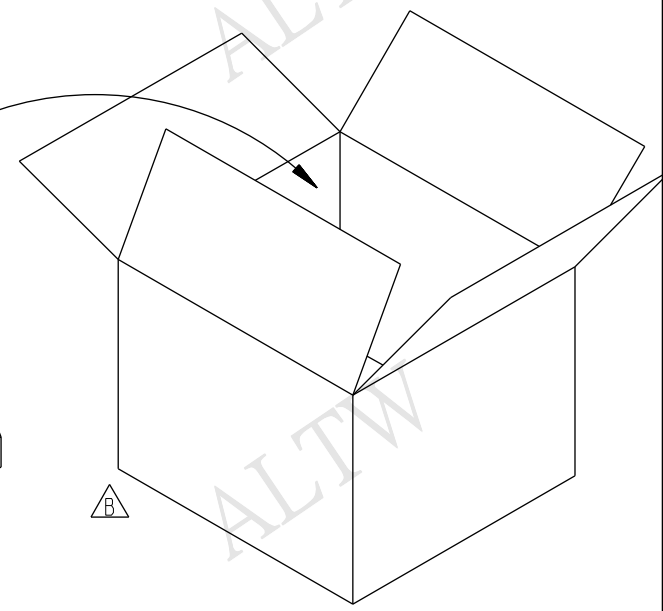
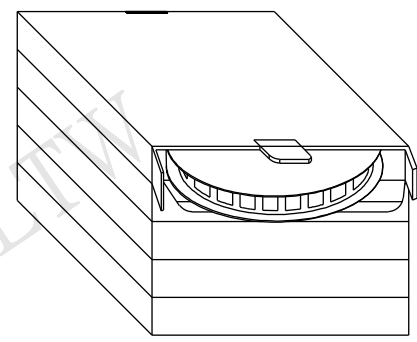
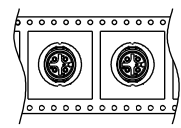
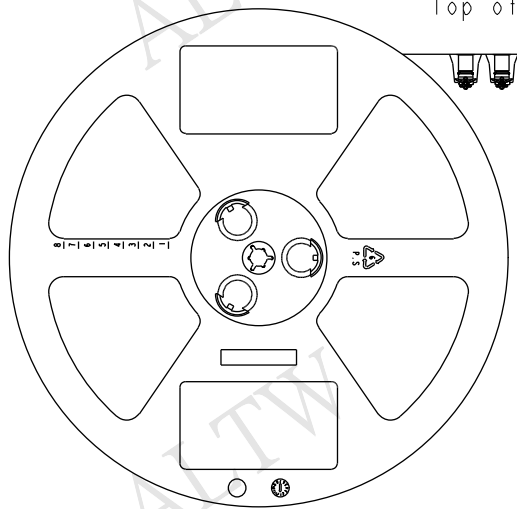
ITEM NO	DRAWN BY	DATE
	Jason Yu	2018/03/19
DWG NO	CHECKED BY	DATE
MSXS-XXPFFT-EE8XXX	Arvin Chan	2018/03/19
CUSTOMER	APPROVED BY	DATE
ALTW	Kevin Hu	2018/03/19

THIS DOCUMENT IS SUBJECT TO CHANGE WITHOUT NOTICE. IT IS CONFIDENTIAL AND A PROPERTY OF AMPHENOL LTW. DISCLOSURE TO THIRD PARTY HAS TO BE AUTHORIZED BY AMPHENOL LTW.

**ALTW**  
**CONFIDENTIAL**  
**2018-03-19**  
**R&D DEPT.**



Top of Reel →



Note:  
 100 PCS(Connector)/Tape&Reel Put in a Box  
 5PCS(Max.) Box Put in a Carton

**ALTW**  
**DCC. DEPT.**  
**CONFIDENTIAL**  
**2018.04.18**  
**ISSUED**

UNIT: mm	
TOLERANCE	
.X	±0.25
.XX	±0.1
.XXX	±0.05
ANGLES	±1°

TITLE MI2 F CONN F PIN SMT TYPE			
SCALE	SIZE	SHEET	
1:1	A4	4	OF 4
REV.	WC-REV.	QC: Inspection item	
B	.0		

**Amphenol LTW**  
**安費諾亮泰企業股份有限公司**

ITEM NO	DRAWN BY	DATE
	Jason Yu	2018/03/19
DWG NO	CHECKED BY	DATE
MSXS-XXPFFT-EE8XXX	Arvin Chan	2018/03/19
CUSTOMER	APPROVED BY	DATE
ALTW	Kevin Hu	2018/03/19