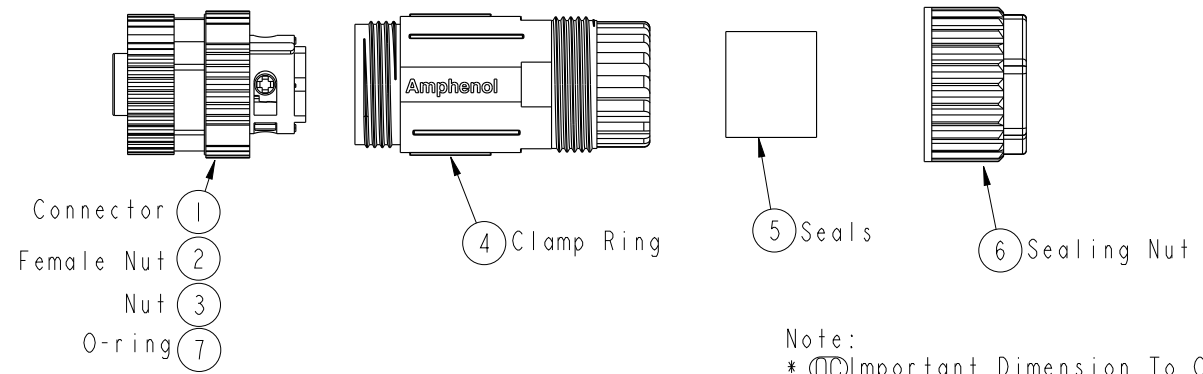
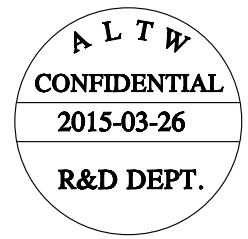
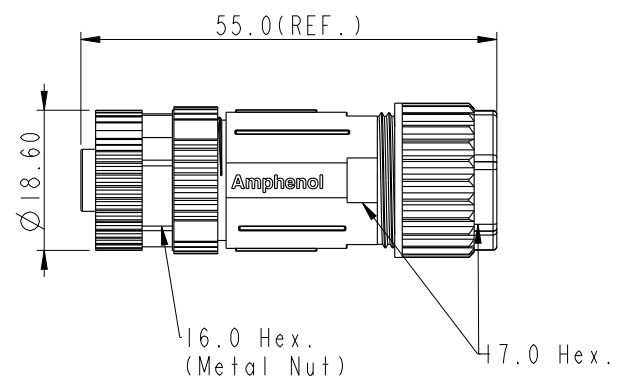
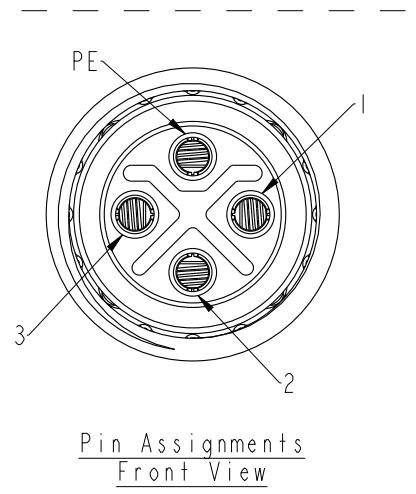


THIS DOCUMENT IS SUBJECT TO CHANGE WITHOUT NOTICE. IT IS CONFIDENTIAL AND A PROPERTY OF Amphenol LTW. DISCLOSURE TO THIRD PARTY HAS TO BE AUTHORIZED BY Amphenol LTW.

REV.	ECN NO.	DATE	SIGN	DESCRIPTION
A	Initial Release	2015-03-26	Cary	Change Rev. 01 to Rev.A



- Note:
- \*  $\varnothing$  Important Dimension To Check.
  - \* Waterproof Rate: IP67
  - \* Housing: Nylon, UL94V-0, Black
  - \* Female Pin: Copper Alloy, Gold Plated
  - \* Female Nut: Zinc Alloy, Nickel Plated
  - \* O-Ring: Silicon, UL94V-0, Grey
  - \* Clamp Ring: Nylon, UL94V-0, Black
  - \* Sealing Nut: PBT+PC, UL94V-0, Black
  - \* Seals: Silicon, UL94V-0, Gray
  - \* Rated Voltage: 630V AC
  - \* Rated Current at 40°C: 12A
  - \* Operation Temperature: -40~105°C.
  - \* Seal For Cable Range OD:  $\varnothing 8.0\text{mm} \sim \varnothing 10.0\text{mm}$ , 16AWG
  - \* Screws for Wire connection recommended tightening torque: 0.61~0.84 kgf.cm / 0.059~0.082 N.m
  - \* Applicable Wire gauge (Stranded wire cross section) 0.52mm<sup>2</sup> (20AWG) ~ 1.31mm<sup>2</sup> (16AWG)
  - \* Mating Recommended tightening torque: 3~4 kgf.cm / 0.29~0.39 N.m
  - \* Sealing-Nut Recommended tightening torque: 4~6 kgf.cm / 0.39~0.59 N.m
  - \* Detailed applicable wire specifications may vary depending on the actual wire construction.



UNIT: mm		TITLE M12 S Code 4Pin F Conn. ASSY			<h1>Amphenol LTW</h1> 安費諾亮泰企業股份有限公司	ITEM NO. M12S-04BFFB-SL7002	DRAWN BY Cary	DATE 2015-03-26
		TOLERANCE .X ±0.25 .XX ±0.1 .XXX ±0.05 ANGLES ±1°	SCALE 1:1	SIZE A4		SHEET 1 OF 1	DWG NO. M12S-04BFFB-SL7002	CHECKED BY Lu Di
		REV. A	WC-REV. .0	Inspection item	CUSTOMER ALTW	APPROVED BY Jerry	DATE 2015-03-26	