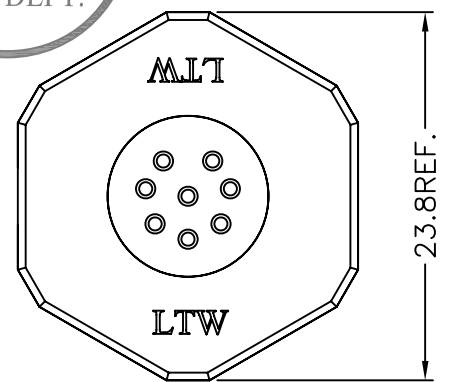
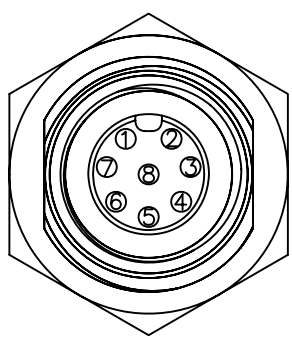
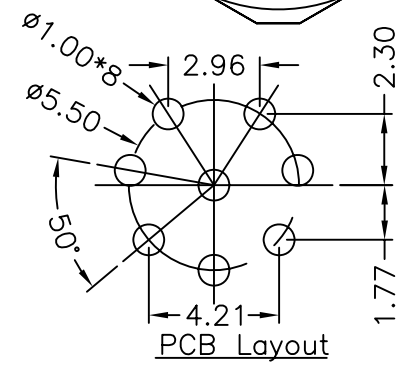
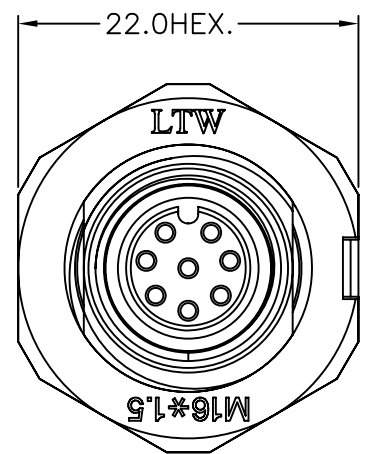
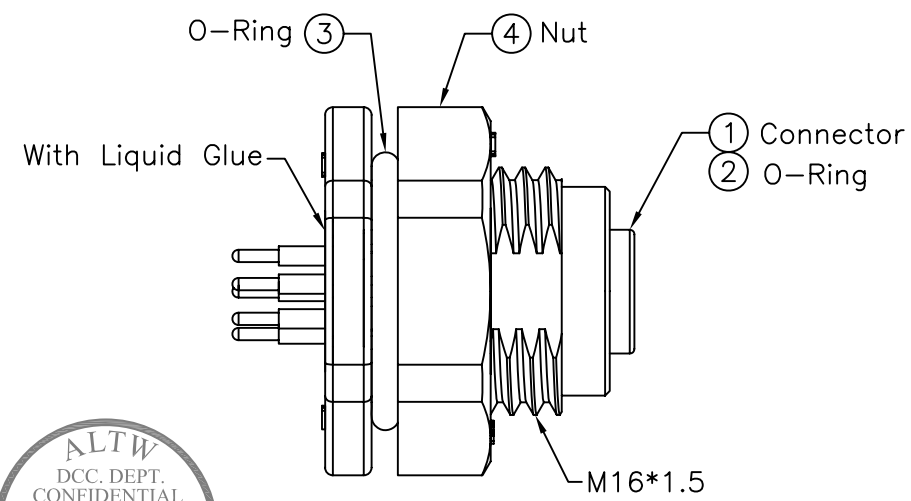


REV. A	ECN. NO.	DATE 2010/09/14	SIGN Rex	DESCRIPTION Change Rev.01 To Rev.A

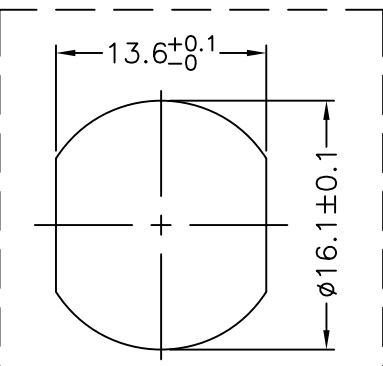
ALTW
CONFIDENTIAL
2010.09.14
R&D DEPT.



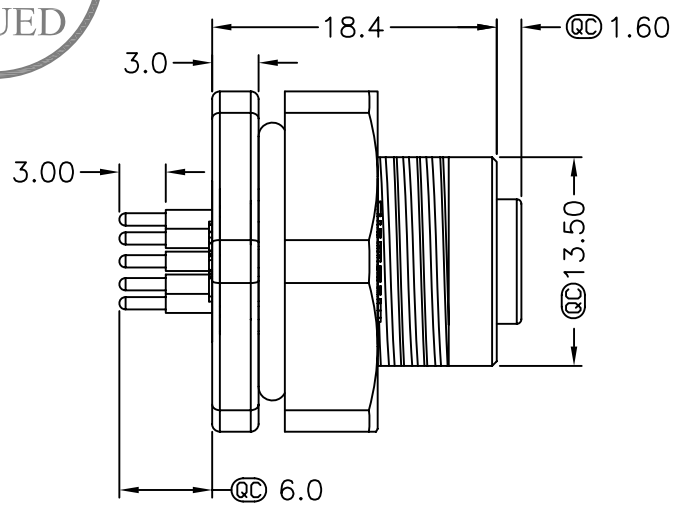
ALTW
DCC. DEPT.
CONFIDENTIAL
2010.09.21
ISSUED



Pin Assignment
Front View



Recommended Panel Cut-Out



Note:

- * @@Important Dimension To Check.
- * Waterproof Rate: IP68 (水深1米, 24hrs)
- * Connector: Nylon+GF, 94V-0, Black
- * Female Pin: Copper Alloy, Gold Plated
- * Shield: Nylon+GF, 94V-0, Black
- * Nut: Nylon+GF, 94V-0, Black
- * O-Ring (Inner): Silicone, Gray, 94V-0
- * O-Ring (Outer): Silicone, Gray, 94V-0
- * For Panel Thickness Max 4.0mm

UNIT:mm	
TOLERANCE	
.X	±0.25
.XX	±0.1
.XXX	±0.05
ANGLES	±1°

TITLE		M12 CONN,PCB	
PANEL SCREW 8PIN F CONN F PIN			
SCALE	Free	SHEET	1 OF 1
REV. A	SIZE A4	QC :Inspection Item	

Amphenol LTW
安費諾亮泰企業股份有限公司

ITEM NO	LTW12P-08PFFP-SF8001
DWG NO	LTW12P-08PFFP-SF8001
CUSTOMER	

DRAWN BY	Rex
CHECKED BY	Winnie
APPROVED BY	Kevin

DATE	2010/09/17
DATE	2010/09/17
DATE	2010/09/17

THIS DOCUMENT IS SUBJECT TO CHANGE WITHOUT NOTICE. IT IS CONFIDENTIAL AND A PROPERTY OF Amphenol LTW. DISCLOSURE TO THIRD PARTY HAS TO BE AUTHORIZED BY Amphenol LTW.