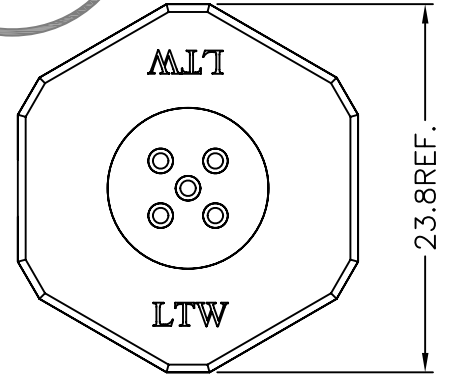
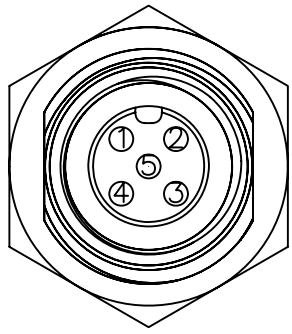
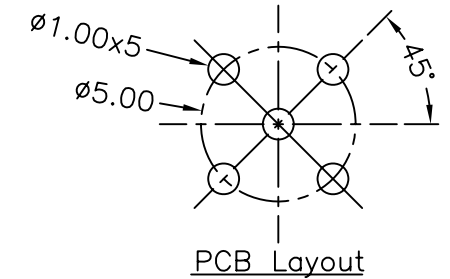
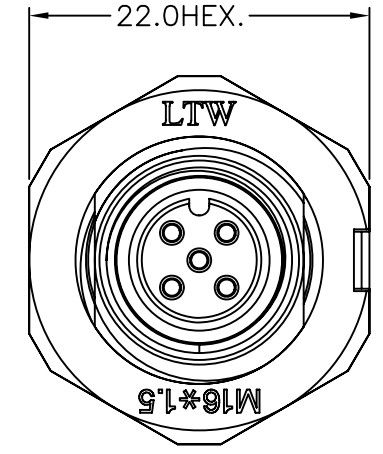
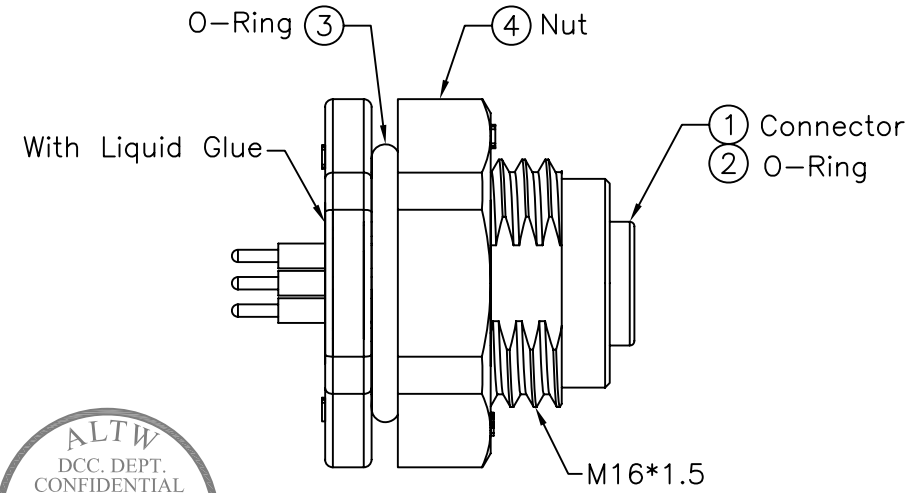


REV.	ECN NO.	DATE	SIGN	DESCRIPTION
A	Initial Release	2010/09/14	Rex	Change Rev.01 To Rev.A

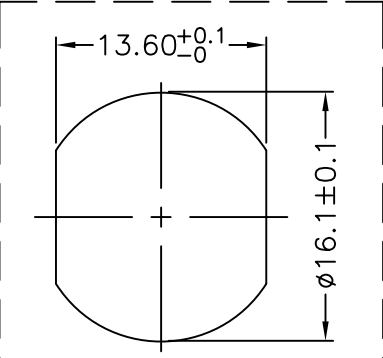
ALTW  
CONFIDENTIAL  
2010.09.14  
R&D DEPT.



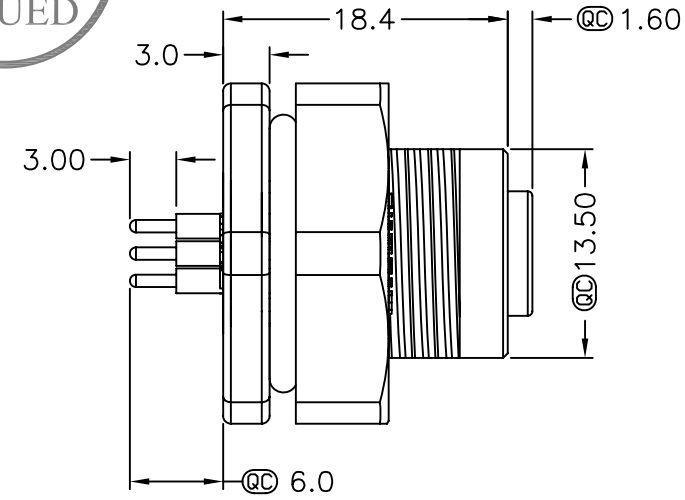
ALTW  
DCC. DEPT.  
CONFIDENTIAL  
2010.09.21  
ISSUED



Pin Assignment  
Front View



Recommended Panel Cut-Out



Note:

- \*  $\textcircled{C}$  Important Dimension To Check.
- \* Waterproof Rate: IP68 (水深1米, 24hrs)
- \* Connector: Nylon+GF, 94V-0, Black
- \* Female Pin: Copper Alloy, Gold Plated
- \* Shield: Nylon+GF, 94V-0, Black
- \* Nut: Nylon+GF, 94V-0, Black
- \* O-Ring (Inner): Silicone, Gray, 94V-0
- \* O-Ring (Outer): Silicone, Gray, 94V-0
- \* For Panel Thickness Max 4.0mm

UNIT:mm	
TOLERANCE	
.X	$\pm 0.25$
.XX	$\pm 0.1$
.XXX	$\pm 0.05$
ANGLES	$\pm 1^\circ$

TITLE		M12 CONN,PCB	
PANEL SCREW 5PIN F CONN F PIN			
SCALE	Free	SHEET	1 OF 1
REV.	A	SIZE	A4
$\textcircled{C}$ :Inspection Item			

**Amphenol LTW**  
安費諾亮泰企業股份有限公司

ITEM NO	LTW12P-05PFFP-SF8001
DWG NO	LTW12P-05PFFP-SF8001
CUSTOMER	

DRAWN BY	Rex
CHECKED BY	Winnie
APPROVED BY	Kevin

DATE	2010/09/17
DATE	2010/09/17
DATE	2010/09/17

THIS DOCUMENT IS SUBJECT TO CHANGE WITHOUT NOTICE. IT IS CONFIDENTIAL AND A PROPERTY OF Amphenol LTW. DISCLOSURE TO THIRD PARTY HAS TO BE AUTHORIZED BY Amphenol LTW.