




Product information ELST 400 RD/12 V Au

Industrial Connecting Solutions: Circular Connectors: M8 - M12 Connectors: M12 Connectors: M12 Circular connector (M12 E-Series): with screw locking: Appliance connector for press-in fit/sensor tube: ELST 400 RD/12 V Au

<http://www.e-catalog.beldensolutions.com/link/57078-24228-256281-256292-256304-24445-24446-24277-36855/en/conf/ui/state>

| | |
|---------------------------------|---|
| Name | ELST 400 RD/12 V Au |
| |  |
| | Appliance connector for M12 sensors, press-in tube mounting, O-ring, anti-twist device, with sealable vent hole |
| Delivery informations | |
| Availability | available |
| Product description | |
| Description | Appliance connector for M12 sensors, press-in tube mounting, O-ring, anti-twist device, with sealable vent hole |
| Type | ELST 400 RD/12 V Au |
| Order No. | 933 442-306 |
| Other standard types | tinned contacts, order no. 933 442-406 |
| Type of contact | male |
| Number of contacts | 4 |
| Standard | IEC 61076-2-101 (Ed. 1)/ IEC 60947-5-2 |
| Housing Color | grey |
| Technical data | |
| Pin dimensions | 1 mm |
| Rated voltage | AC/DC 150 V |
| Rated current | 4 A |
| Type of termination | solder, concave pins |
| Suitable cables | max. 0.5 mm ² |
| Material | |
| Contact material | Cu Zn |
| Contact surface material | Au |
| Contact bearer material | PA |
| O-Ring | NBR |
| Environmental conditions | |
| Protection class (IEC 60529) | IP 68 |
| Pollution severity | 3 |
| Temperature range | -25 °C to +90 °C |
| Inflammability class | |
| Contact bearer | 94 V-2 |
| Approvals | |
| UL | UL |
| Packing unit | |
| Packaging unit | 100 pieces |



HIRSCHMANN

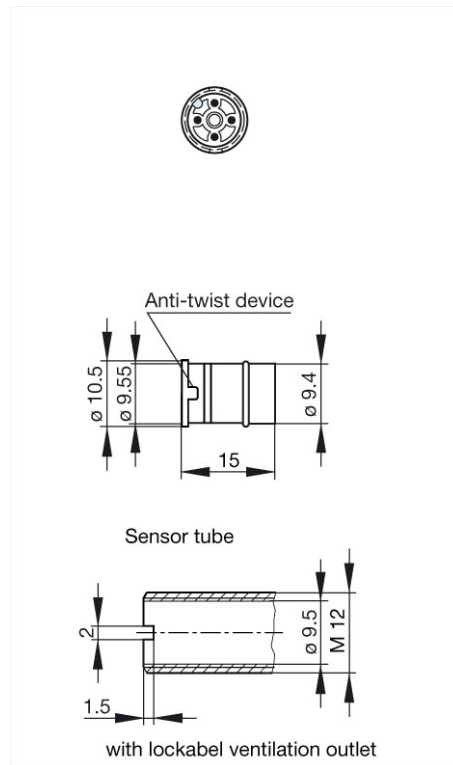
A BELDEN BRAND

Industrial Connecting Solutions: Circular Connectors: M8 - M12 Connectors: M12 Connectors: M12 Circular connector (M12 E-Series)-with screw locking: Appliance connector for press-in fit/sensor tube: ELST 400 RD/12 V Au

<http://www.e-catalog.beldensolutions.com/link/57078-24228-256281-256292-256304-24445-24446-24277-36855/en/conf/ui/state>

Picture

Drawing



Belden Deutschland GmbH

Im Gewerbepark 2
58579 Schalksmühle
Germany
Phone: +49 7127/14-1806
E-Mail: icos-sales@belden.com

The information published in the websites has been compiled as carefully as possible. It is subject to alteration without notice in technical as well as in price-related/commercial respect. The complete information and data were available on user documentation. Mandatory information can only be obtained by a concrete query.