




Product information ELKE 412 PG9 P Au

Industrial Connecting Solutions:Archive - Industrial Connectors:Circular Connectors E-series M12 / M12 push-pull (Archive):with screw locking:Appliance socket for front panel - front panel

mounting:ELKE 412 PG9 P Au

<http://www.e-catalog.beldensolutions.com/link/57078-24228-62529-24256-24257-24273-36772/en/conf/ui/state>

Name	ELKE 412 PG9 P Au
	
	Screw-in appliance socket, PG 9 front mounting thread, with wire ends, screw locking, coding with adjusting nut, re-positionable, O-ring included
Delivery informations	
Availability	no longer available
Product description	
Description	Screw-in appliance socket, PG 9 front mounting thread, with wire ends, screw locking, coding with adjusting nut, re-positionable, O-ring included
Type	ELKE 412 PG9 P Au
Order No.	933 044-100
Type of contact	female
Number of contacts	4
Cable material	PVC
Cable length	0.2 m
Conductor size	0.34 mm ²
Standard	IEC 61076-2-101 (Ed. 1)/ IEC 60947-5-2
Housing Color	metallic
Technical data	
Wire stranding	7 x 0.25 mm
Rated voltage	AC/DC 250 V
Rated current	4 A
Material	
Contact material	Cu Zn
Contact surface material	Au
Contact bearer material	PA
Housing material	Cu Zn/Ni
O-Ring	NBR
Environmental conditions	
Protection class (IEC 60529)	IP 67
Pollution severity	3
Temperature range	-25 °C to +90 °C
Inflammability class	
Contact bearer	94 V-2
Approvals	
UL	UL
Packing unit	
Packaging unit	100 pieces
Scope of delivery and accessories	
Accessories to order separately	protective cap M12 VS, order no. 734 209-100



HIRSCHMANN

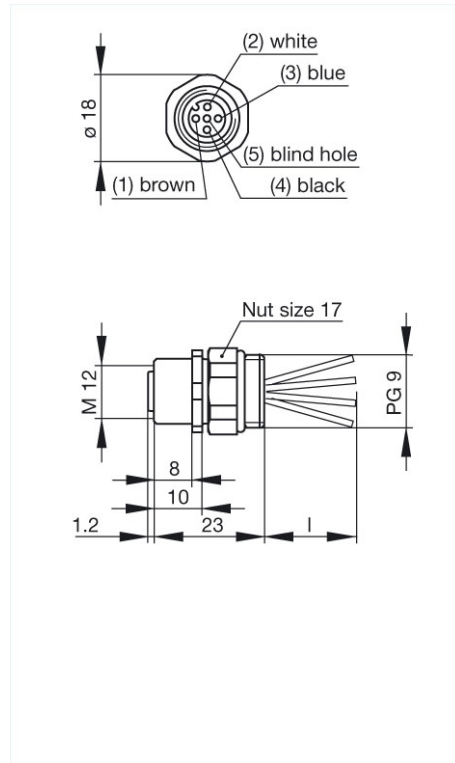
A BELDEN BRAND

Industrial Connecting Solutions:Archive - Industrial Connectors:Circular Connectors E-series M12 / M12 push-pull (Archive):with screw locking:Appliance socket for front panel - front panel mounting:ELKE 412 PG9 P Au

<http://www.e-catalog.beldensolutions.com/link/57078-24228-62529-24256-24257-24273-36772/en/conf/uistate>

Picture

Drawing



Belden Deutschland GmbH

Im Gewerbepark 2
58579 Schalksmühle
Germany
Phone: +49 7127/14-1806
E-Mail: icos-sales@belden.com

The information published in the websites has been compiled as carefully as possible. It is subject to alteration without notice in technical as well as in price-related/commercial respect. The complete information and data were available on user documentation. Mandatory information can only be obtained by a concrete query.