

M12 MALE 90° B CODED SHIELDED WIREABLE SCREW TERM.5 POLE max. 0.75mm² 6-8mm PROFIBUS

PROFIBUS, Interbus

Male 90°

M12, 5-pole

B-coded

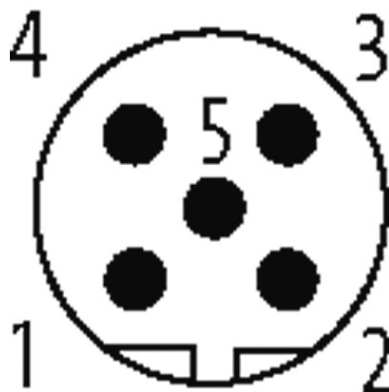
shielded

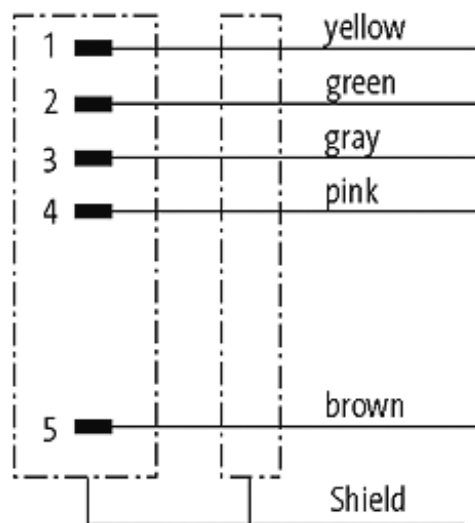
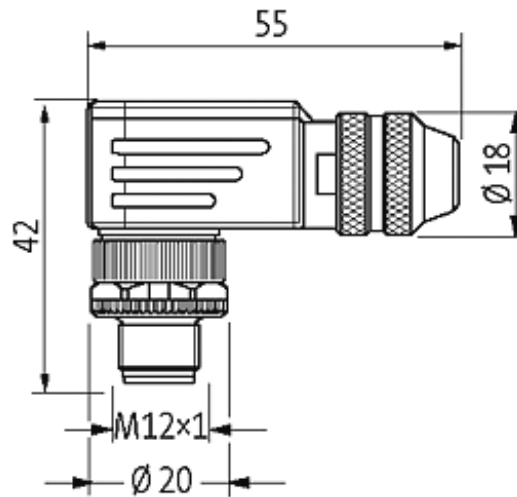
Screw terminals

Sealing range (cable Ø): 6...8 mm

[Link to Product](#)**Illustration**

Male





Product may differ from Image

Approvals



Form

Form 14011

Technical Data

Operating voltage	max. 60 V AC/DC
Operating current per contact	max. 4 A
Connection cross section	max. 0.75 mm ²
Sealing range (cable Ø)	6..8 mm
Protection	IP67 inserted and tightened (EN 60529)
Housing	Brass, nickel plated

General data

The information in this brochure has been compiled with the utmost care.

Liability for the correctness completeness and topicality of the information is restricted to gross negligence. Version: 07/18

Murrelektronik GmbH | Falkenstraße 3 | 71570 Oppenweiler | Fon +49 (71 91) 47-0 | Fax +49 (71 91) 47-491000 | shop@murrelektronik.com | shop.murrelektronik.com

Temperature range -40...+85 °C

Commercial data

country of origin	DE
customs tariff number	85369010
EAN	4048879198639
eClass	27279221
Packaging unit	1