

M12 MALE 90° SHIELDED WIREABLE SCREW TERM.

5-pol. max.0,75mm² 4-6mm

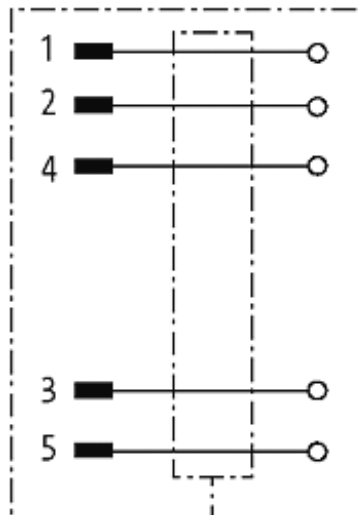
Male 90°

5-pole, shielded

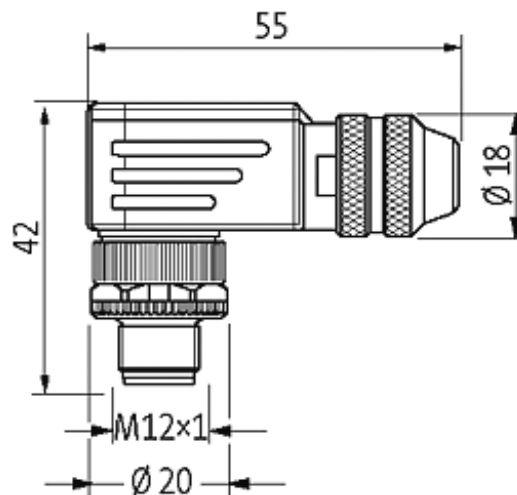
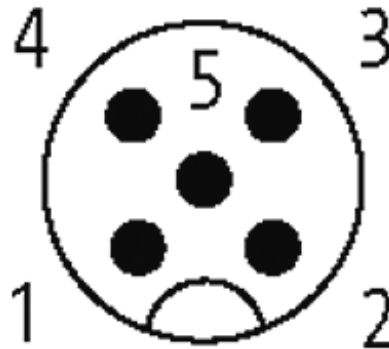
Clamping range cable entry: 4...6 mm

[Link to Product](#)

Illustration



Male



Product may differ from Image

Approvals



Form

13341

Technical Data

Operating voltage	max. 125 V AC/DC
Operating current per contact	max. 4 A
Connection cross section	max. 0.75 mm ²
Sealing range (cable diameter)	4..6 mm
Protection	IP67 inserted and tightened (EN 60529)
Housing	CuZn, nickel plated

General data

Temperature range -25...+85 °C

Commercial data

country of origin DE

customs tariff number 85369010

minimum order quantity 1