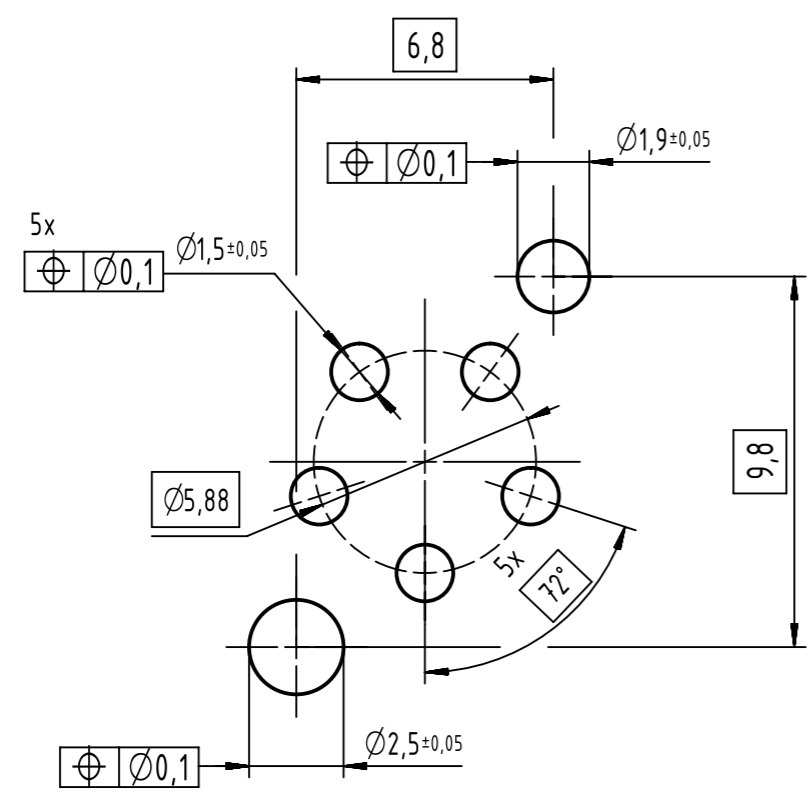
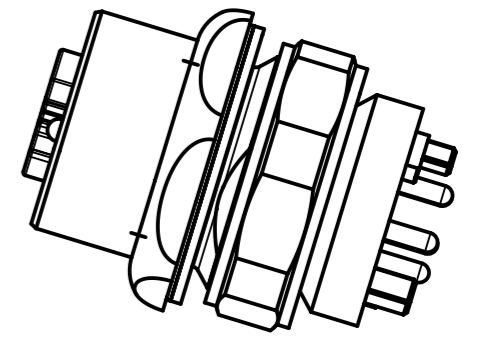
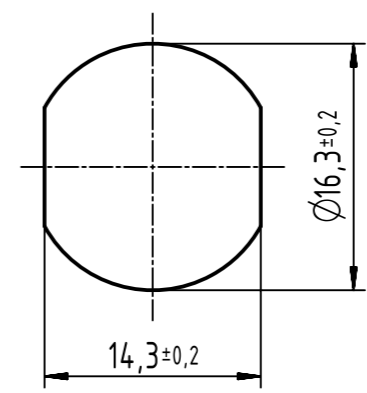


recommended PCB-layout
A (5:1)



panel cut out
(2:1)



	All rights reserved		Created by		Inspected by		Standardisation		Date		State	
	Department EC PD - RO		STOICA		AVRAM		HOFFMANN		2016-03-24		Final Release	
HARTING Electronics GmbH		Title						Doc-Key / ECM-Nr.		Rev.		Page
D-32339 Espelkamp		M12 power receptacle female L-coded front						100581426/UGD/000/B		B	1/1	
		Type		Number								
		TB		21033962531								