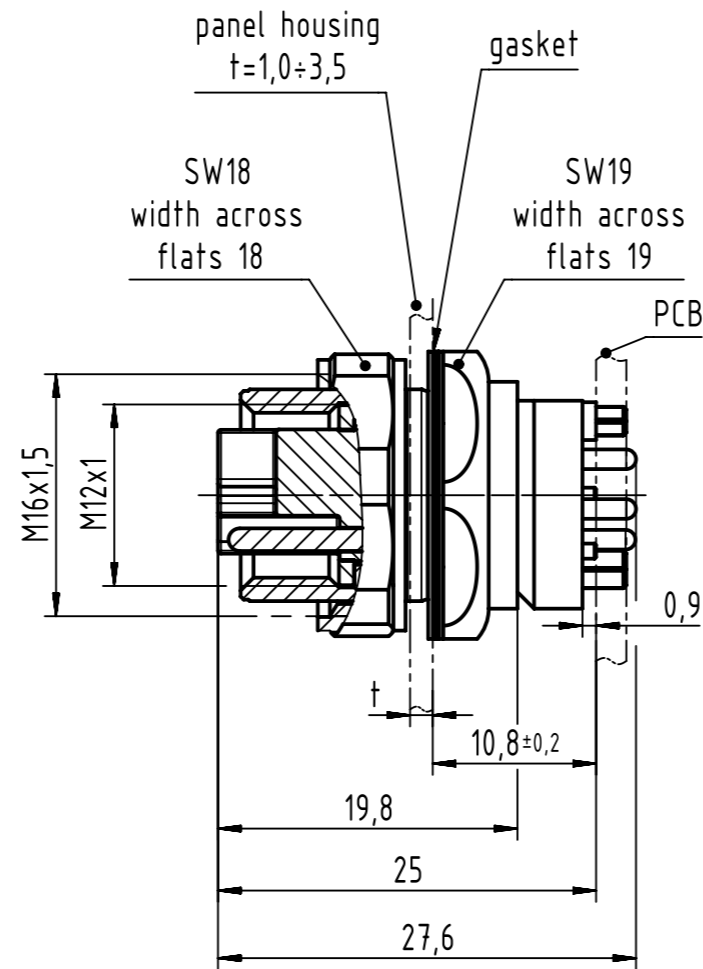
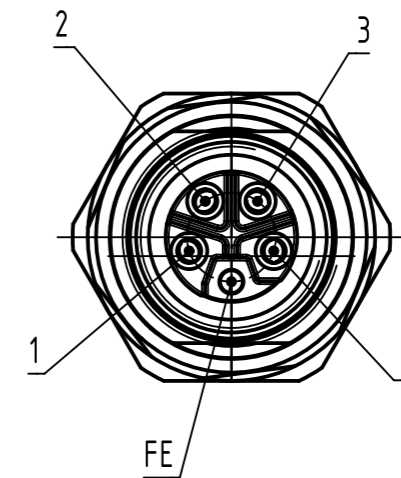


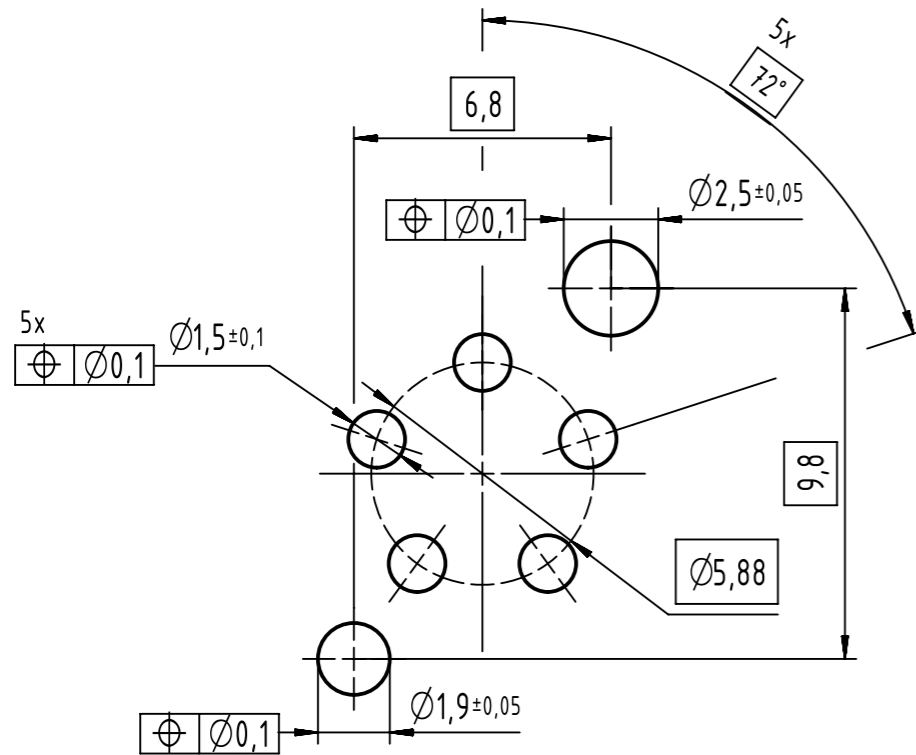
A →



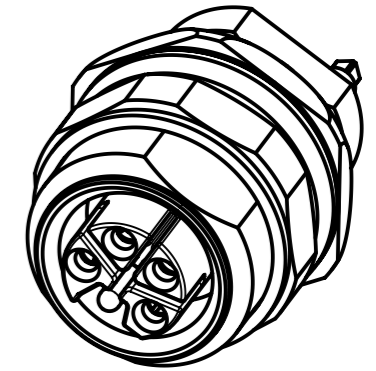
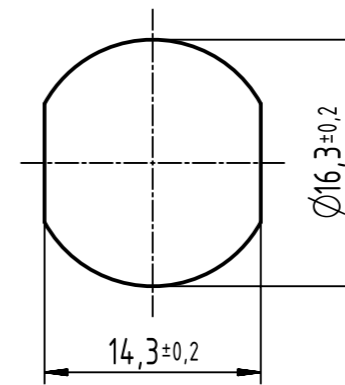
contact face based on
IEC 61076-2-111



recommended PCB-layout
A (5:1)



panel cut out
(2:1)



	All rights reserved Department EC PD - RO HARTING Electronics GmbH D-32339 Espelkamp	All Dimensions in mm Original Size DIN A3		Scale 2:1	Free size tol.	Ref. Sub.
		Created by STOICA	Inspected by AVRAM	Standardisation HOFFMANN	Date 2016-03-24	State Final Release
		Title M12 Power PCB receptacle female L-coded back				Rev. B
		Type TB	Number 21033962530		Page 1/1	