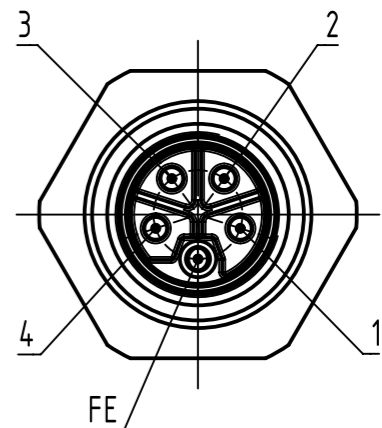
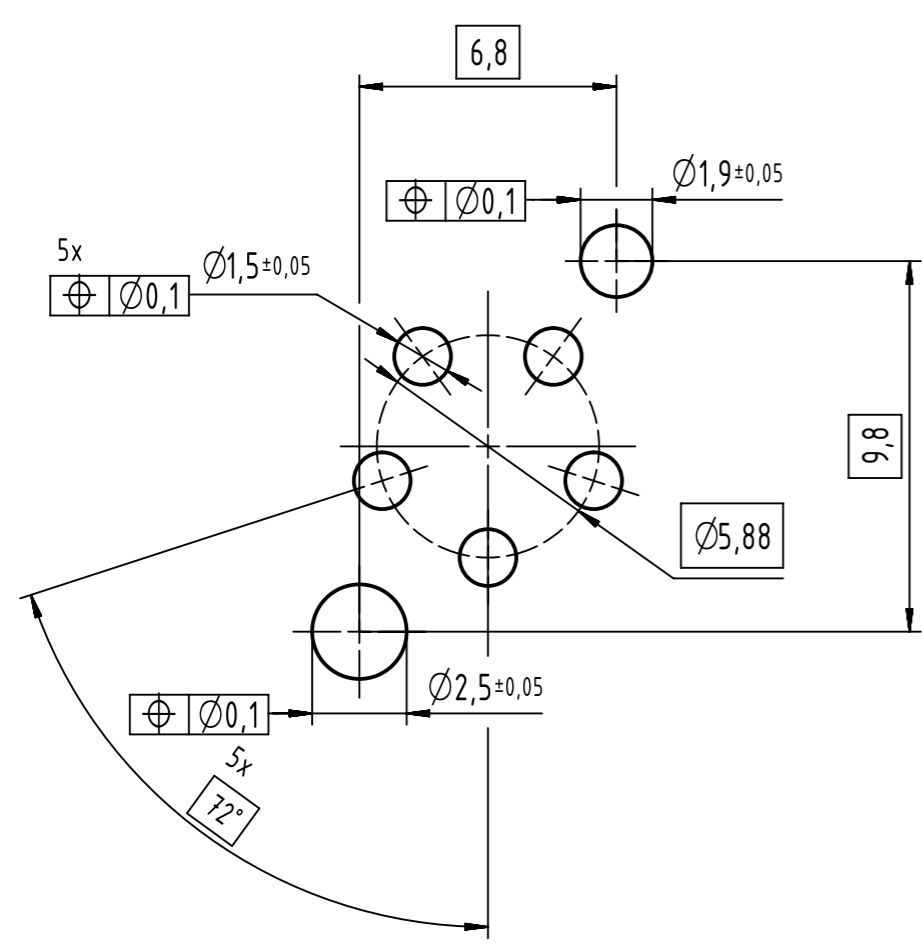


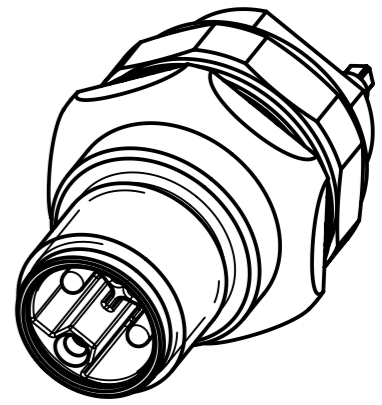
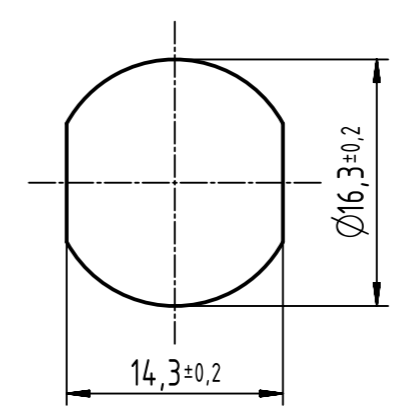
contact face based on
IEC 61076-2-111



G (5:1)
recommended PCB-layout



panel cut out
(2:1)



	All Dimensions in mm Original Size DIN A3		Scale 2:1	Free size tol.		Ref.	
	All rights reserved Department EC PD - RO		Created by STOICA	Inspected by AVRAM	Standardisation HOFFMANN	Date 2016-03-24	State Final Release
HARTING Electronics GmbH D-32339 Espelkamp		Title M12 Power receptacle male L-coded front				Doc-Key / ECM-Nr. 100581425/UGD/000/B 500000102230	
		Type TB	Number 21033961531		Rev. B	Page 1/1	