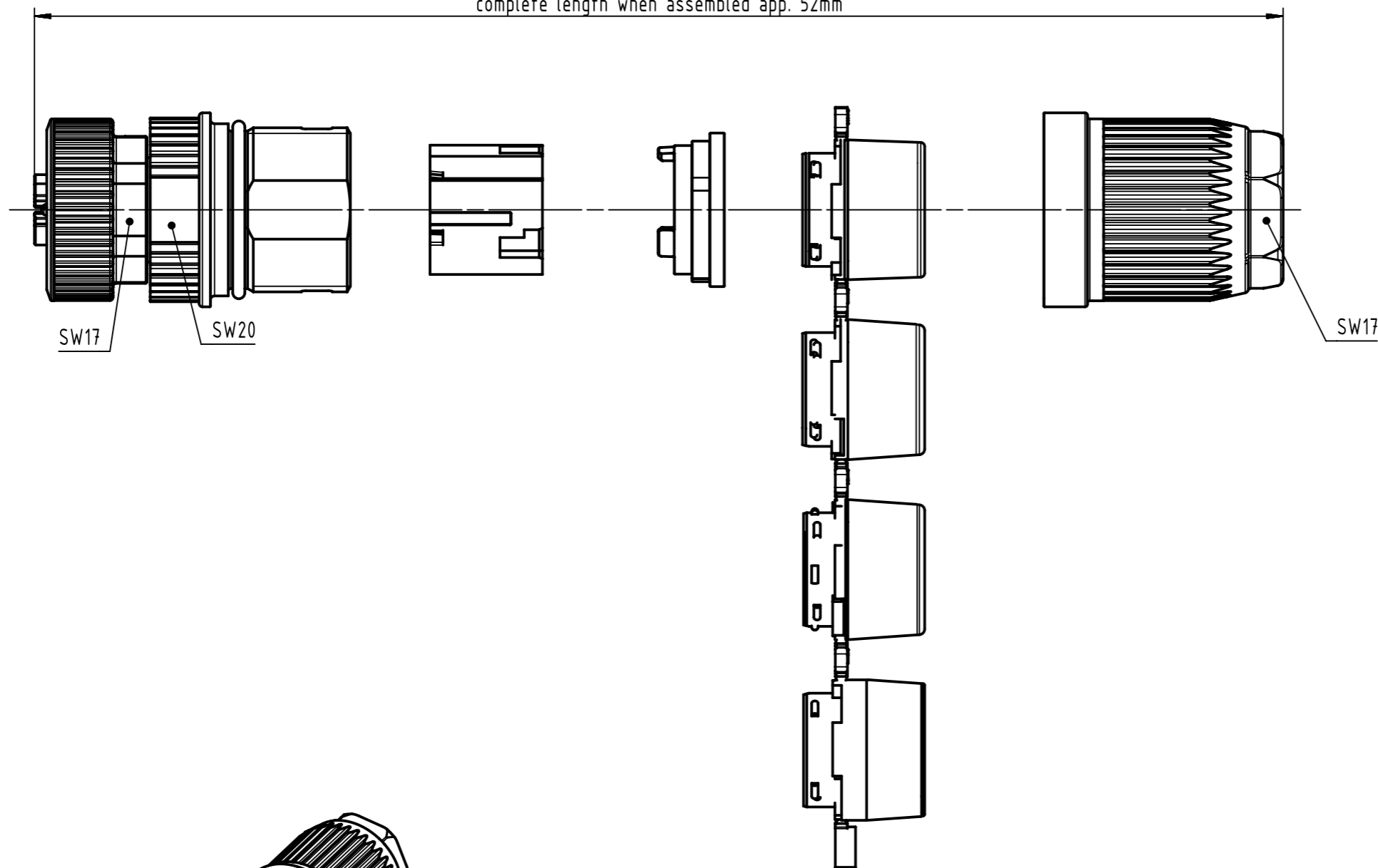
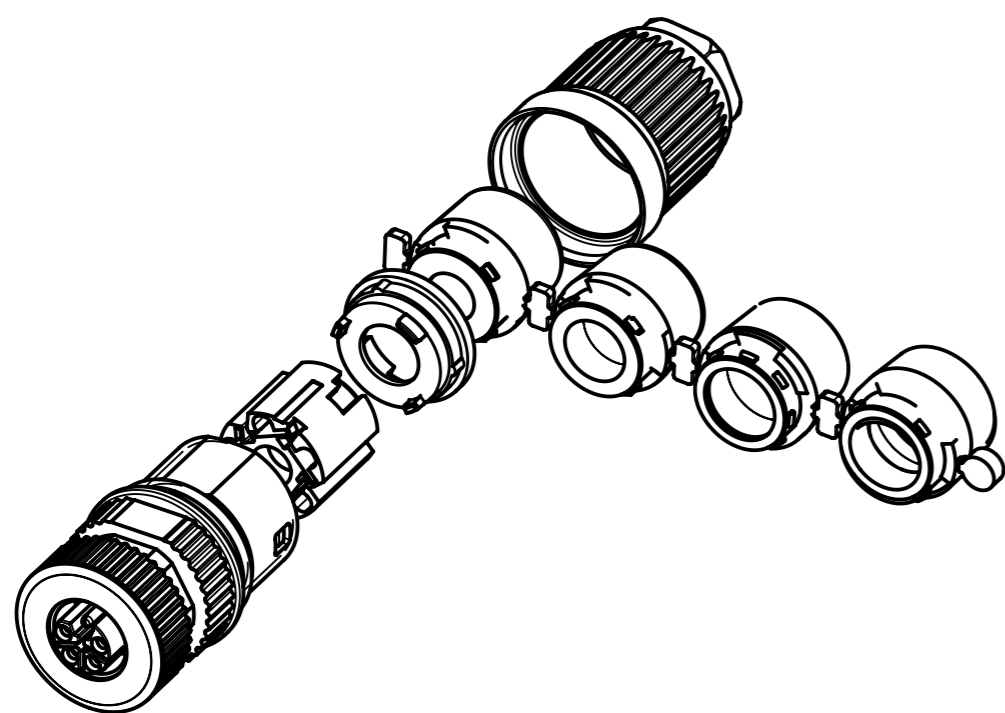
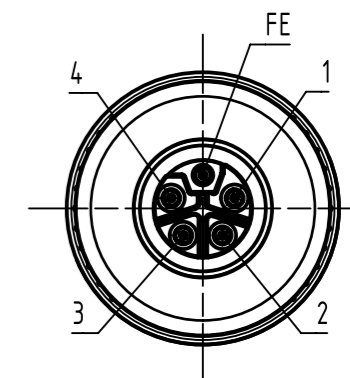



complete length when assembled app. 52mm



contact face acc. to
IEC 61076-2-111



Cable range: $\varnothing 5.8 - \varnothing 13.5\text{mm}$

	All rights reserved Department EC PD - RO	All Dimensions in mm Original Size DIN A3			Scale 1.5:1	Free size tol.	Ref. Sub.
		Created by DRAGHICI	Inspected by AVRAM	Standardisation HOFFMANN	Date 2016-03-30	State Final Release	
HARTING Electronics GmbH D-32339 Espelkamp		Title M12 Power IDC female L-coded				Doc-Key / ECM-Nr. 100585566/UGD/007/C 500000102445	
		Type TB	Number 21032962505			Rev. C	Page 1/1