

1

2

3

4

A

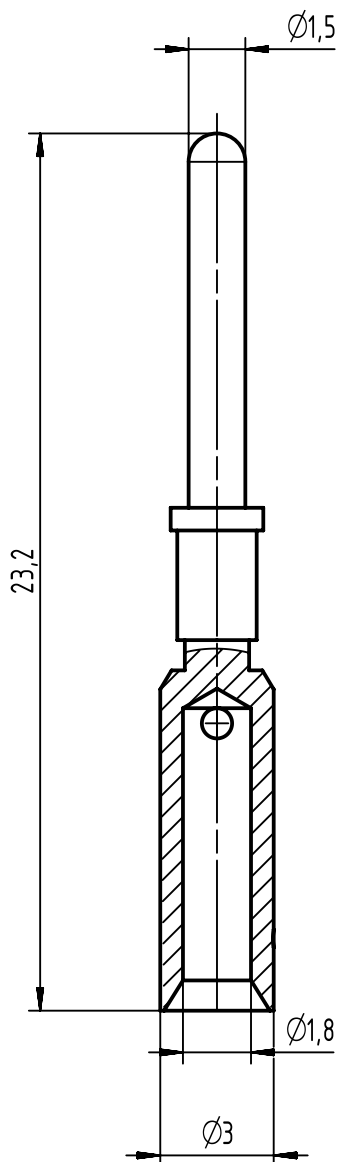
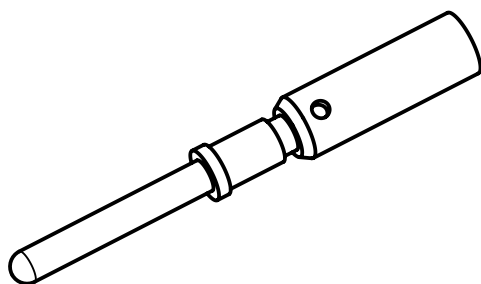
B

C

D

E

F



this crimp contact should be processed with:

locator 09990000638
hand crimping tool 09990000509

surface

pl	Ni (μm)	NiP (μm)	Au (μm)
1	min. 1,5	min. 1,5	min. 0,15



All Dimensions in mm
Original Size DIN A4

Scale
5:1

Free size tol.

Ref.

Sub.



All rights reserved
Department EC PD - RO

Created by
STOICA

Inspected by
AVRAM

Standardisation
HOFFMANN

Date
2016-03-31

State
Final Release

HARTING Electronics GmbH
D-32339 Espelkamp

Title
M12 Power Male crimp contact for Plug 1.5 sqmm

Doc-Key / ECM-Nr.
100606135/UGD/001/B
500000102371

Type
TB

Number
21011009925

Rev.
B

Page
1/1