

1

2

3

4

A

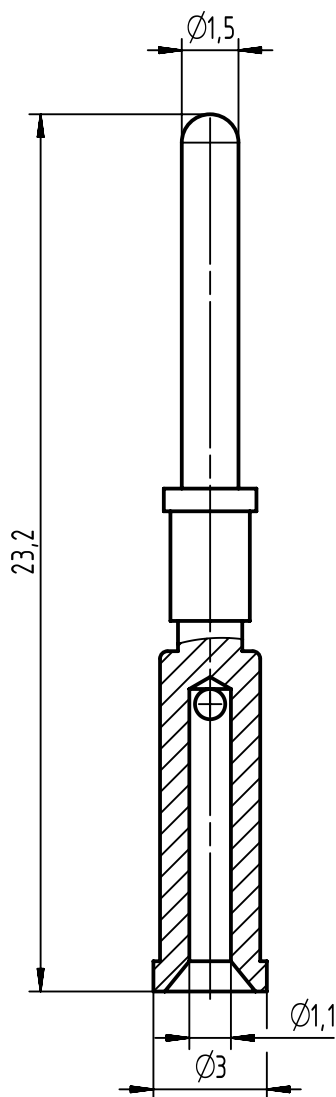
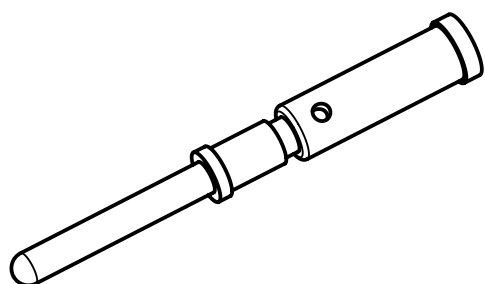
B

C

D

E

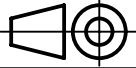
F



surface			
pl	Ni (μm)	NiP (μm)	Au (μm)
1	min. 1.5	min. 1.5	min. 0,15

this crimp contact should be processed with:

locator 09990000638
hand crimping tool 09990000509

	All rights reserved Department EC PD - RO	All Dimensions in mm Original Size DIN A4	Scale 5:1	Free size tol.	Ref.	Sub.
		Created by STOICA	Inspected by AVRAM	Standardisation HOFFMANN	Date 2016-03-31	State Final Release
HARTING Electronics GmbH D-32339 Espelkamp		Title M12 Power Male crimp contact for Plug 0.5 sqmm			Doc-Key / ECM-Nr. 100608107/UGD/001/B 500000102371	
		Type TB	Number 21011009923		Rev. B	Page 1/1