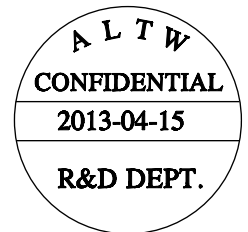
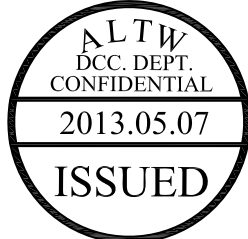
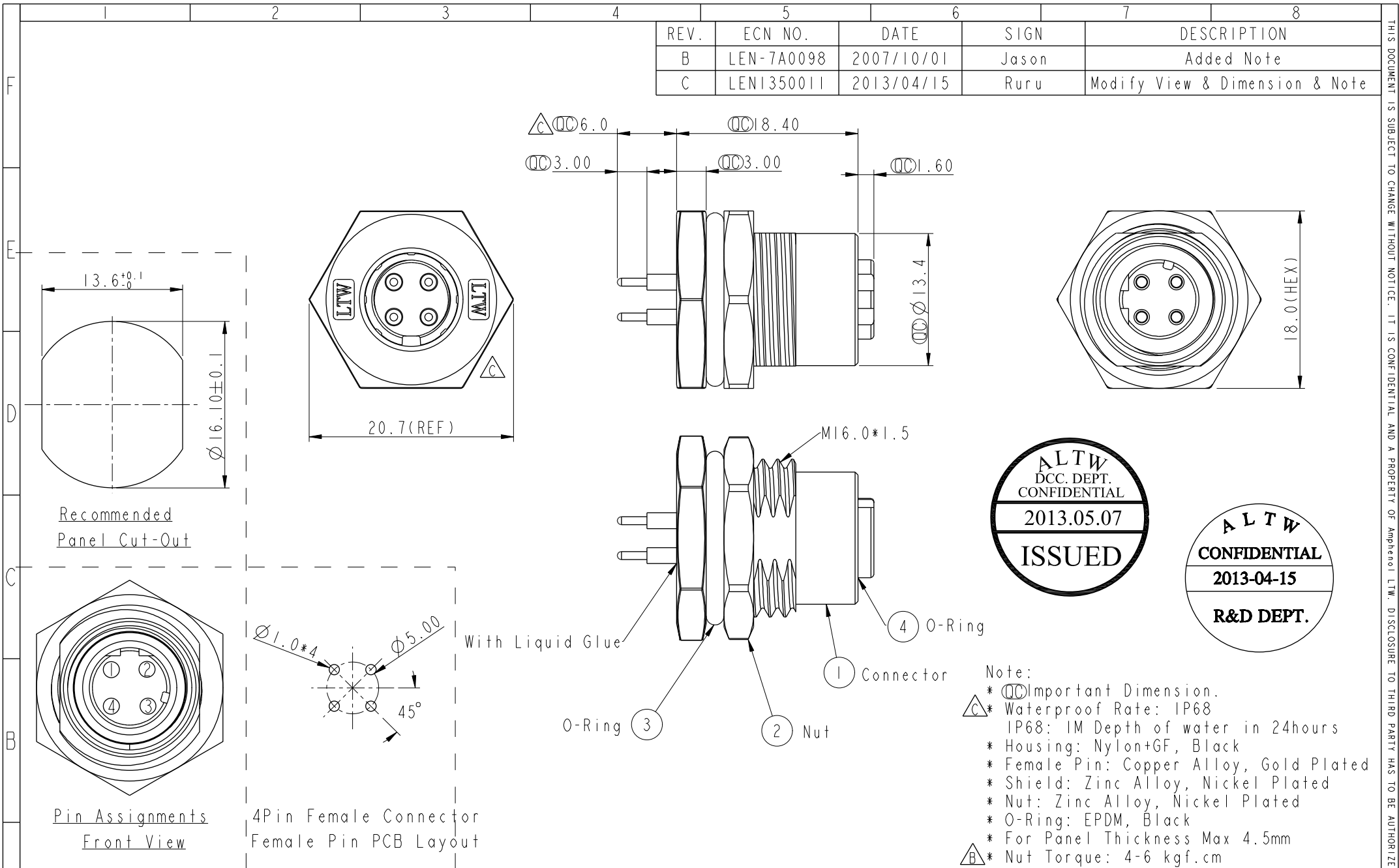


REV.	ECN NO.	DATE	SIGN	DESCRIPTION
B	LEN-7A0098	2007/10/01	Jason	Added Note
C	LEN1350011	2013/04/15	Ruru	Modify View & Dimension & Note



- Note:
- * (⌀) Important Dimension.
 - * (△) Waterproof Rate: IP68
 - IP68: 1M Depth of water in 24hours
 - * Housing: Nylon+GF, Black
 - * Female Pin: Copper Alloy, Gold Plated
 - * Shield: Zinc Alloy, Nickel Plated
 - * Nut: Zinc Alloy, Nickel Plated
 - * O-Ring: EPDM, Black
 - * For Panel Thickness Max 4.5mm
 - (△) * Nut Torque: 4-6 kgf.cm

UNIT:mm		TITLE		ITEM NO		DRAWN BY		DATE	
		M12 D Code Panel Screw 4Pin F Conn F Pin		12D-04PFFP-SF8003		Ruru		2013-05-03	
TOLERANCE		SCALE	SIZE	SHEET	DWG NO	CHECKED BY		DATE	
.X ±0.25		2:1	A4	1 OF 1	12D-04PFFP-SF8003	Vicky		2013-05-03	
.XX ±0.1		REV.	WC-REV.	(⌀): Inspection item	CUSTOMER	APPROVED BY		DATE	
.XXX ±0.05		C	A.3		ALTW	Maslow		2013-05-03	
ANGLES ±1		2	3	4	5	6	7	8	FWW10702-01-02A1

Amphenol LTW
安費諾亮泰企業股份有限公司

THIS DOCUMENT IS SUBJECT TO CHANGE WITHOUT NOTICE. IT IS CONFIDENTIAL AND A PROPERTY OF Amphenol LTW. DISCLOSURE TO THIRD PARTY HAS TO BE AUTHORIZED BY Amphenol LTW.