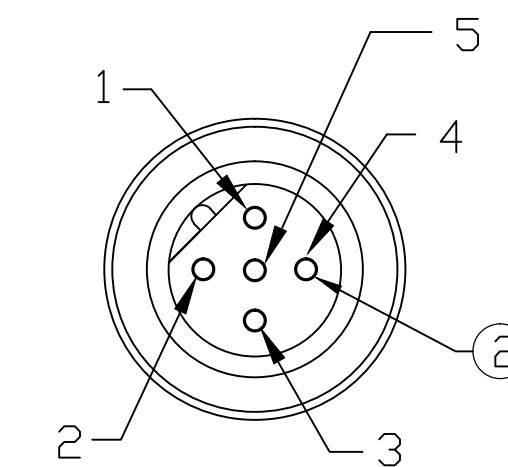
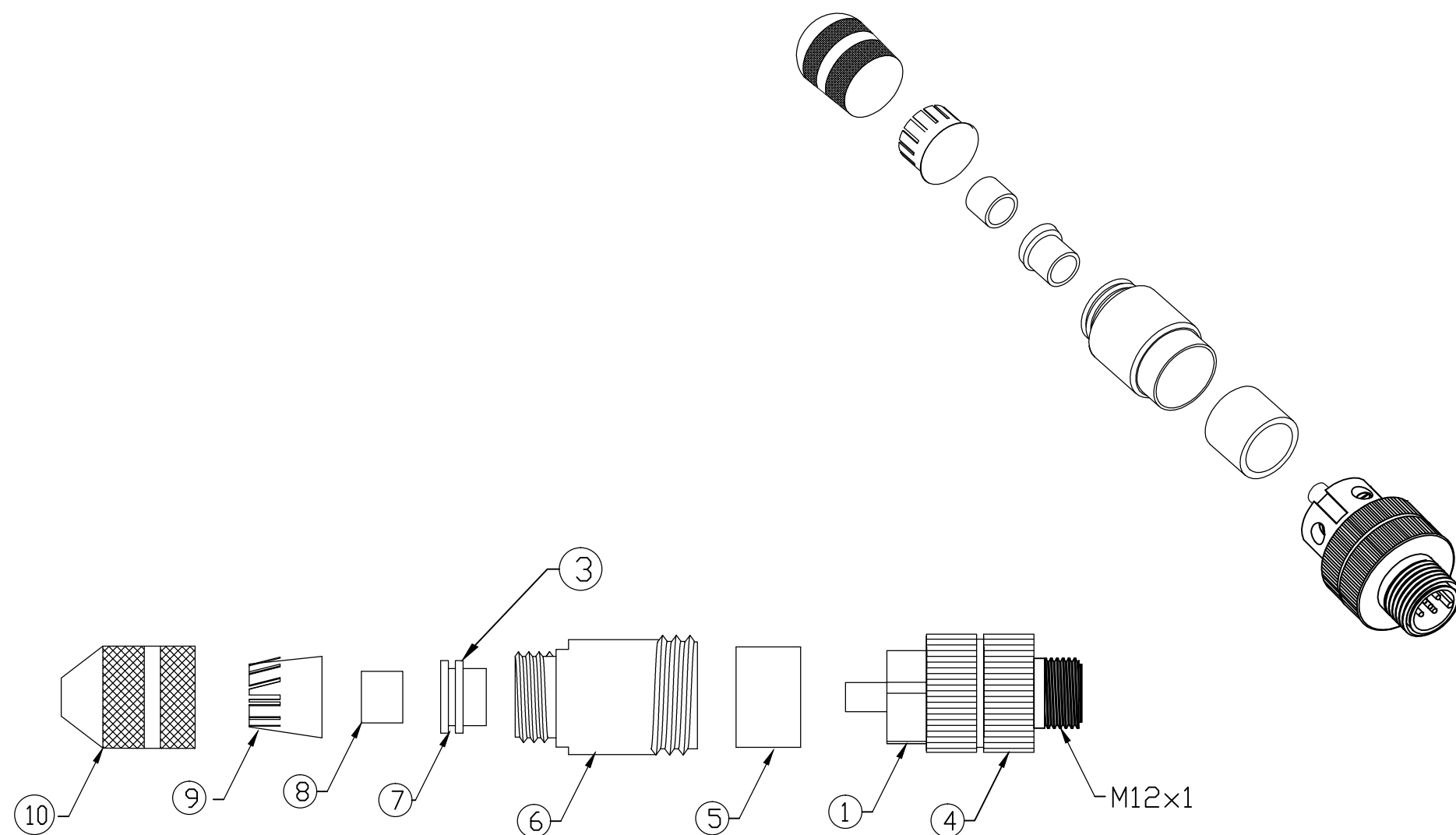
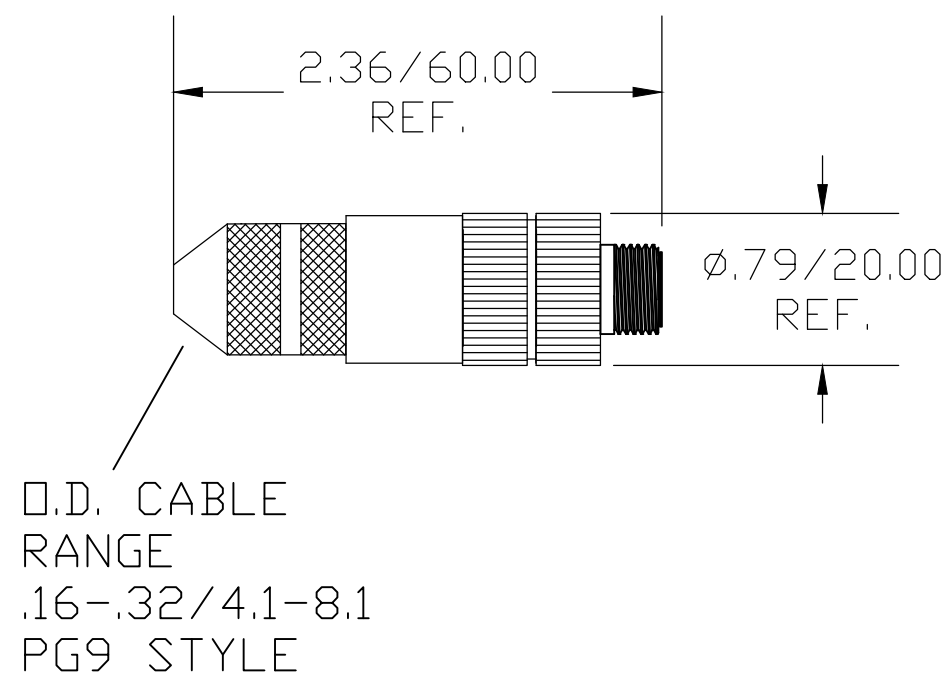


MATERIAL NUMBER	OLD PART NUMBER
120100-0002	BA5S06-32



MALE FACE VIEW

1	NOT USED
2	GREEN (BUS-A)
3	NOT USED
4	RED (BUS-B)
5	SHIELD

WIRING CHART

ITEM	COMPONENT	MATERIAL	FINISH
1	INSERT	NYLON	BLACK
2	CONTACTS	COPPER ALLOY	SILVER PLATED
3	O-RING	NITRILE	BLACK
4	COUPLING NUT	BRASS	NICKEL PLATED
5	GROOMET	NITRILE	BLACK
6	BODY	BRASS	NICKEL PLATED
7	SLEEVE	BRASS	NICKEL PLATED
8	GROOMET	NITRILE	BLACK
9	STRAIN RELIEF	NYLON	WHITE
10	BODY	BRASS	NICKEL PLATED

VOLTAGE RATING	250VAC/VDC
AMPERAGE RATING	4 AMPS
PROTECTION	IP67
OPERATING TEMPERATURE	-25°C TO 90°C

CHANGE COLOR #3&9 EC NO: WNA2012-0118 DRWN: TWOLDEGE 8/25/11 CHKD: BWOODMAN APPR: JFMURPHY 2009/08/28	QUALITY SYMBOL ▽=0 ▽=0	GENERAL TOLERANCES (UNLESS SPECIFIED)		DIMENSION STYLE IN/MM		SCALE 1:1	DESIGN UNITS INCH	THIRD ANGLE PROJECTION		
			mm	INCH	DRAWN BY TWOLDEGE	DATE 2009/08/27	TITLE M12 5P MALE ATTACHABLE PROFIBUS SHIELDED CABLE RANGE .16\"-0.32\"			
		4 PLACES	±---	±---	CHECKED BY	DATE 2009/08/27				
		3 PLACES	±.005	±.005	APPROVED BY JFMURPHY		DATE 2009/08/28	MOLEX INCORPORATED		
2 PLACES	±.013	±.010	MATERIAL NO. 1201000002		DOCUMENT NO. SD-120100-002	SHEET NO. 1 OF 1				
1 PLACE	±.025	±.020	DRAFT WHERE APPLICABLE MUST REMAIN WITHIN DIMENSIONS		THIS DRAWING CONTAINS INFORMATION THAT IS PROPRIETARY TO MOLEX INCORPORATED AND SHOULD NOT BE USED WITHOUT WRITTEN PERMISSION					