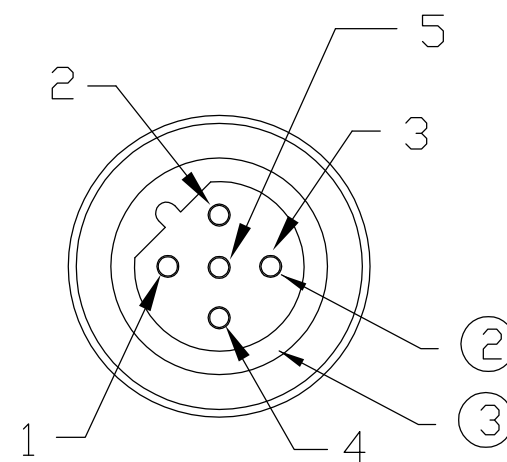
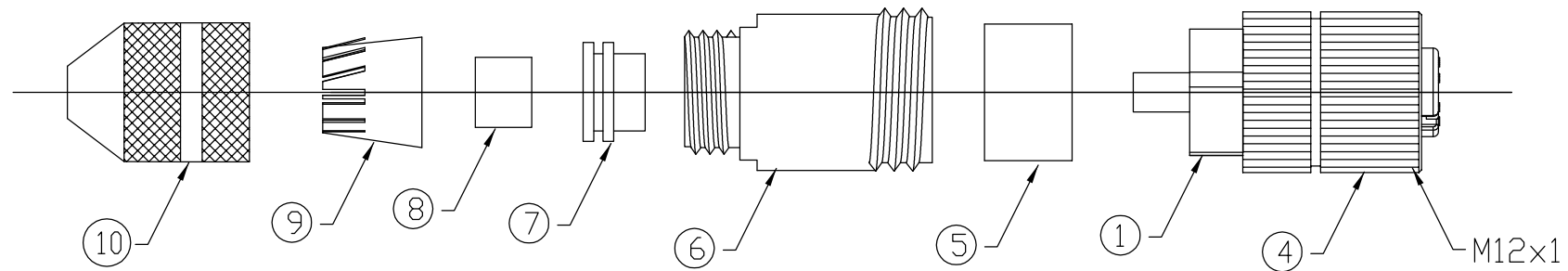
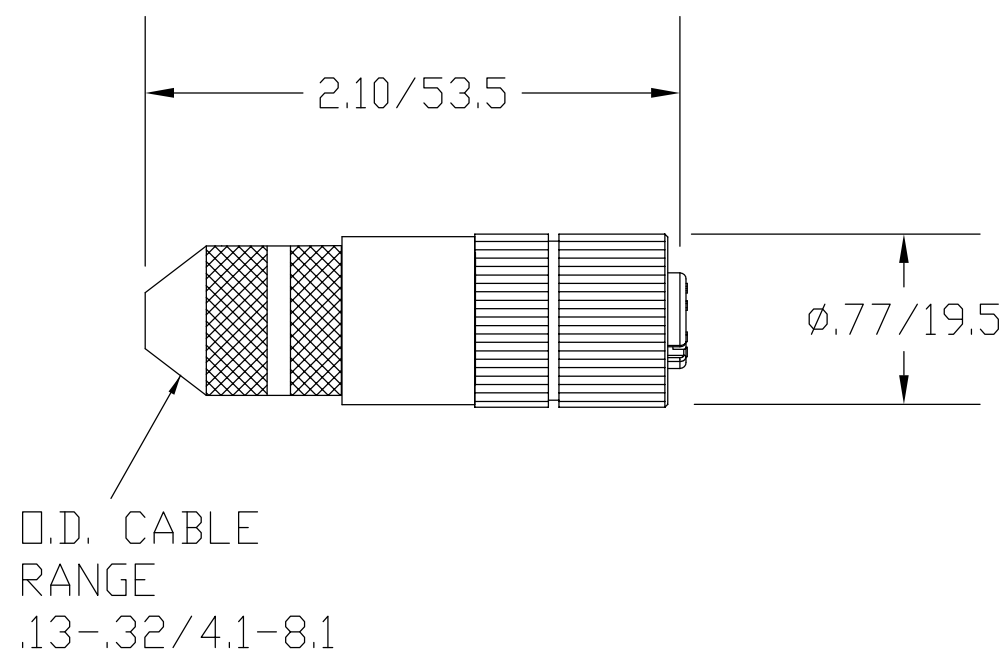
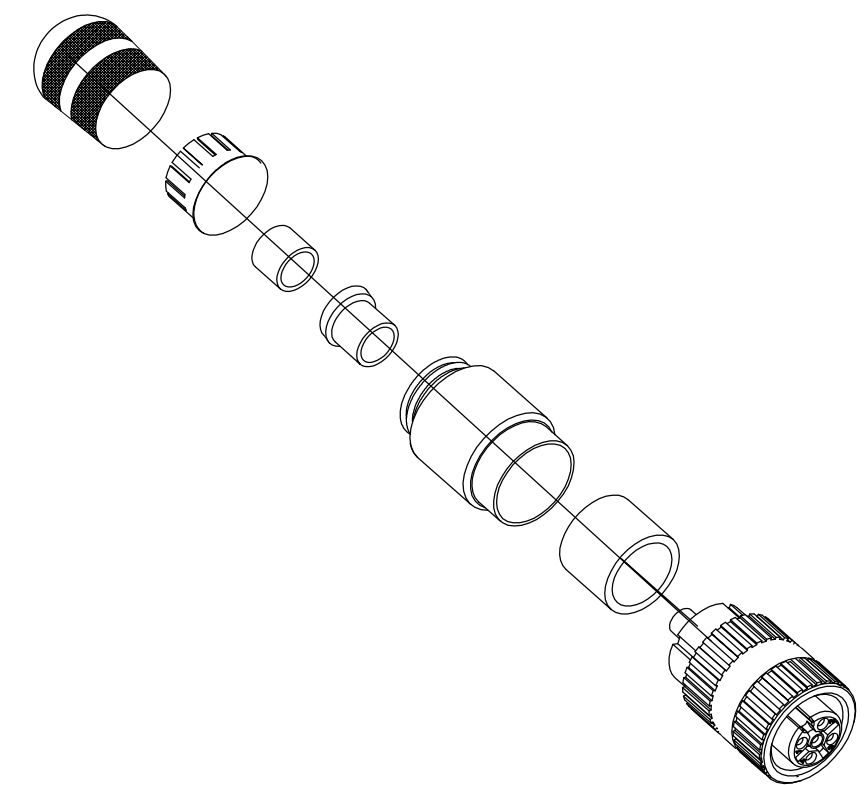


MATERIAL NUMBER	OLD PART NUMBER
120100-0001	BA5S00-32



FEMALE FACE VIEW

Callout	Description
1	NOT USED
2	GREEN (BUS-A)
3	NOT USED
4	RED (BUS-B)
5	SHIELD

WIRING CHART

VOLTAGE RATING	250VAC/VDC
AMPERAGE RATING	4 AMPS
PROTECTION	IP67
OPERATING TEMPERATURE	-25°C TO 90°C

ITEM	COMPONENT	MATERIAL	FINISH
1	INSERT	NYLON	BLACK
2	CONTACTS	COPPER ALLOY	SILVER PLATED
3	O-RING	NITRILE	RED
4	COUPLING NUT	BRASS	NICKEL PLATED
5	GROOMET	NITRILE	BLACK
6	BODY	BRASS	NICKEL PLATED
7	STRAIN RELIEF	BRASS	NICKEL PLATED
8	GROOMET	NITRILE	BLACK
9	STRAIN RELIEF	NYLON	BLACK
10	BODY	BRASS	NICKEL PLATED

RLSO DRAWING EC NO: WNA2009-0653 DRWN: BWOODMAN 4/1/09 CH'KD: JM APPR: JFMURPHY 2009/04/08	QUALITY SYMBOL	GENERAL TOLERANCES (UNLESS SPECIFIED)		DIMENSION STYLE IN/MM		SCALE	DESIGN UNITS	THIRD ANGLE PROJECTION	
	$\nabla=0$ $C=0$	4 PLACES	mm	INCH	DRAWN BY	DATE	---	---	TITLE M12 5P FEMALE ATTACHABLE PROFIBUS SHIELDED
		3 PLACES	±----	±----	BW	2009/04/02			
		2 PLACES	±----	±.01	CHECKED BY	DATE			MOLEX INCORPORATED
	1 PLACE	±0.3	±----	TW	2009/04/02				
		ANGULAR ±----°		APPROVED BY	DATE			DOCUMENT NO. SD-120100-001	
		DRAFT WHERE APPLICABLE MUST REMAIN WITHIN DIMENSIONS		MATERIAL NO. SEE CHART		SHEET NO. 1 OF 1			
		THIS DRAWING CONTAINS INFORMATION THAT IS PROPRIETARY TO MOLEX INCORPORATED AND SHOULD NOT BE USED WITHOUT WRITTEN PERMISSION							