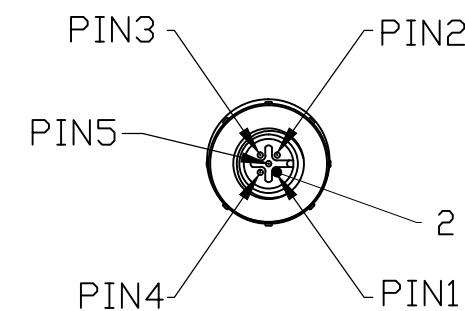
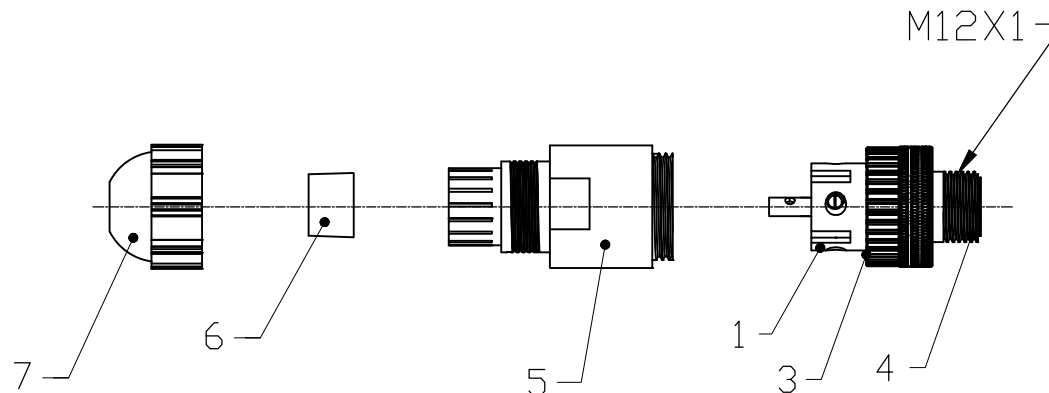
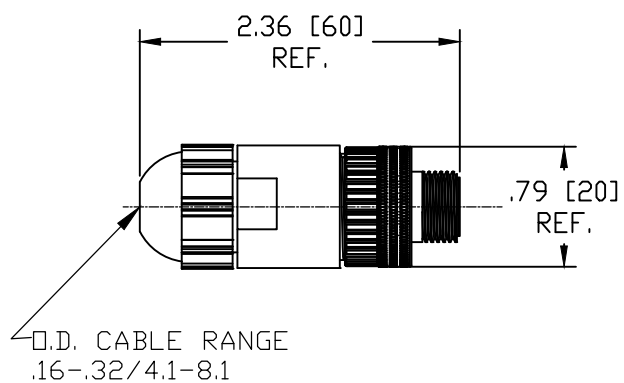
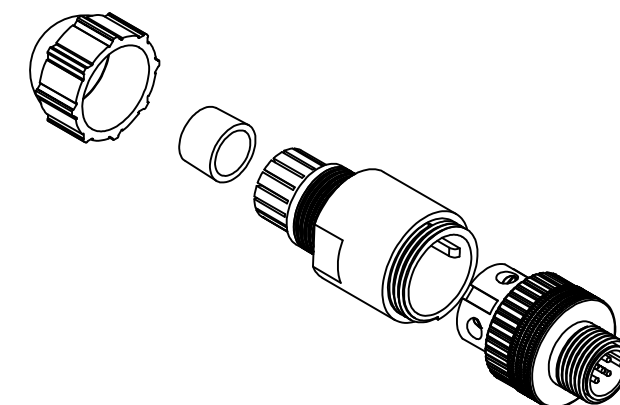


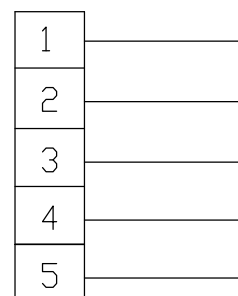
MATERIAL NUMBER	ENGINEERING NUMBER
1200710047	8A5006-32

TORQUE RECOMMENDATION:

CABLE SCREW : 2.4Nm  
 THREAD BETWEEN HOUSING AND INSERT: 0.8Nm  
 STRAND SCREW (CONTACT): 0.4Nm



MALE FACE VIEW



WIRING CHART

VOLTAGE RATING	30VAC/36VDC
AMPERAGE RATING	4 AMPS
PROTECTION	IP67
OPERATING TEMPERATURE	-25°C TO 90°C
CSA CERTIFICATIONS	CSA CERTIFIED, FILE NO. LR6837

ITEM		COMPONENT	MATERIAL	FINISH
1	1	INSERT	POLYAMIDE	BLACK
2	5	CONTACTS	COPPER ALLOY	SILVER PLATED
3	1	O-RING	NITRILE	BLACK
4	1	COUPLING NUT	BRASS	NICKEL PLATED
5	1	MOLDED BODY	POLYAMIDE	BLACK
6	1	GROMMET	NITRILE	BLACK
7	1	CORD GRIP BODY	POLYAMIDE	BLACK

DESCRIPTION EC NO: IPG2013-1257 DRWN: REISSNER CHKD: APOHL APPR: CBURGER 13.02.13	QUALITY SYMBOLS	GENERAL TOLERANCES (UNLESS SPECIFIED)		DIMENSION STYLE	SCALE	DESIGN UNITS	THIRD ANGLE PROJECTION
	$\nabla = 0$ $\sphericalangle = 0$	mm	INCH	MM	---	METRIC	
		4 PLACES ±---	±---	DRAWN BY	DATE	FA M12 5P AC MA STR UNSH BK BRA	
		3 PLACES ±---	±---	TWOLDEGE	2009/08/11		
		2 PLACES ±---	±---	CHECKED BY	DATE	molex	
	1 PLACE ±0.3	±---	APOHL	2013/02/15			
	0 PLACE ±0.5	±---	APPROVED BY	DATE	SD-120071-007		
		ANGULAR ± 1 °	MATERIAL NO.	1200710047	DOCUMENT NO.	1 OF 1	
B1	REV	DRAFT WHERE APPLICABLE MUST REMAIN WITHIN DIMENSIONS		SIZE A3	THIS DRAWING CONTAINS INFORMATION THAT IS PROPRIETARY TO MOLEX INCORPORATED AND SHOULD NOT BE USED WITHOUT WRITTEN PERMISSION		