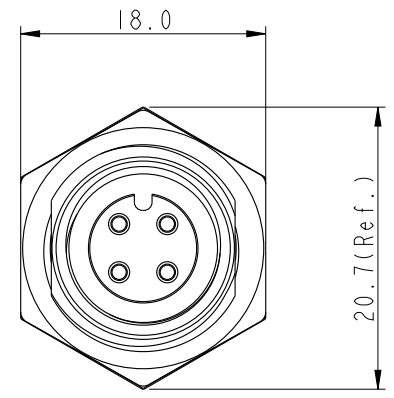
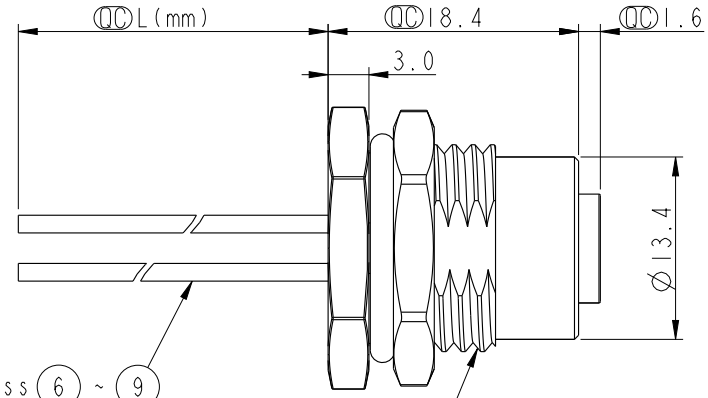


THIS DOCUMENT IS SUBJECT TO CHANGE WITHOUT NOTICE. IT IS CONFIDENTIAL AND A PROPERTY OF Amphenol LTW. DISCLOSURE TO THIRD PARTY HAS TO BE AUTHORIZED BY Amphenol LTW.

REV.	ECN NO.	DATE	SIGN	DESCRIPTION
B	LE31410200~02	2014-01-08	Tony_leng	Change Ball No. & Wire Length

12-04PFFS-SF8BXX $\triangle B$

XX: 150~1500mm
 15: 150mm
 30: 300mm
 50: 500mm
 A0: 1000mm
 A5: 1500mm
 Wire Length(L): 150~1500mm

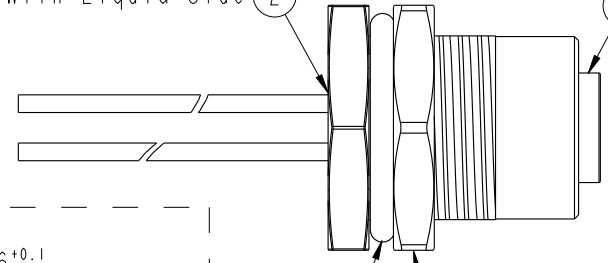


Wire Harness ⑥ ~ ⑨

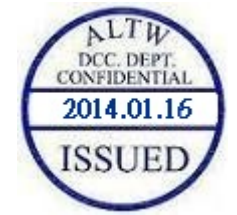
PG9

With Liquid Glue ②

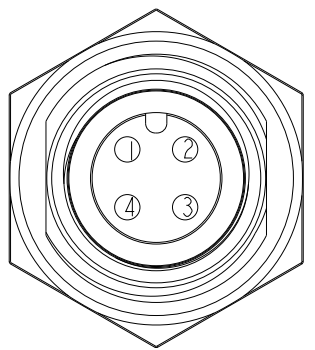
③ O-Ring1
 ① 12-04PFFS-SF8B00



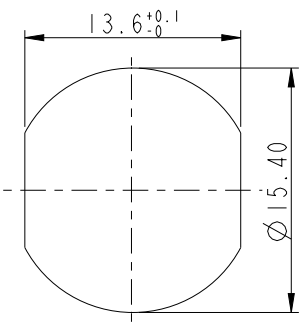
O-Ring2 ④ ⑤ Screw Nut



- Note:
- * $\text{\textcircled{C}}$ Important Dimension.
 - * Waterproof Rate: IP68.
 - IP68: 1M Depth Of Water In 24hours.
 - * Housing: Nylon+GF, Black.
 - * Female Pin: Copper Alloy, Gold Plated.
 - * Shield: Zinc Alloy, Nickel Plated.
 - * Nut: Zinc Alloy, Nickel Plated.
 - * O-Ring1: Viton, Green
 - * O-Ring2: EPDM, Black
 - * Wire Harness: UL1061 22AWG
 - * For Panel Thickness Max 4.5mm.
 - * Nut Torque: 4-6 Kgf.cm
 - * Wire harness Tolerance: 150~300±15mm
 301~1000±20mm
 Over1000 ±40mm



Pin Assignment Front View



Recommended Panel Cut-Out

4	Black	黑
3	Blue	藍
2	White	白
1	Brown	棕
Conn.	Wire Color	Pin Out

UNIT: mm		
TOLERANCE	.X ±0.25	
.XX ±0.1		
.XXX ±0.05		
ANGLES	±1°	

TITLE Panel With Wire Harness			
SCALE 1:1	SIZE A4	SHEET 1 OF 1	
REV. B	WC-REV. A.6	$\text{\textcircled{C}}$: Inspection item	

Amphenol LTW
 安費諾亮泰企業股份有限公司

ITEM NO 12-04PFFS-SF8BXX	DRAWN BY Tony_leng	DATE 2014-01-08
DWG NO 12-04PFFS-SF8BXX	CHECKED BY Jimmy	DATE 2014-01-08
CUSTOMER ALTW	APPROVED BY Jerry	DATE 2014-01-08