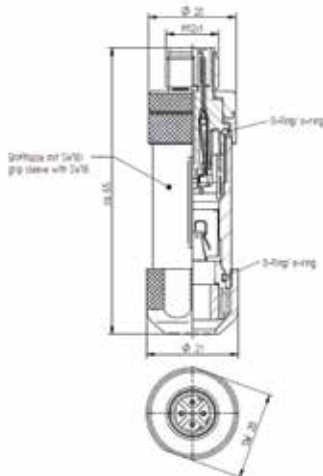
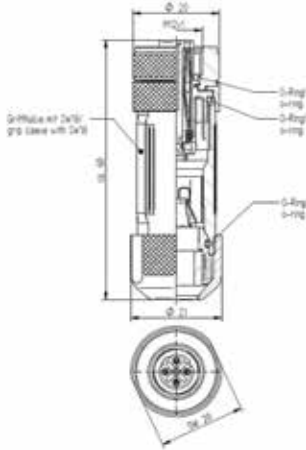


Ethernet Shieldable Field Attachable Connectors for Railway Applications

4-poles, Female and Male Connectors with Sprint-Type Terminals



Type	0986 EFC 107	0986 EMC 105
Product description	Field attachable connector, M12 female connector with threaded joint, shieldable, assembling with spring-type terminals, 4 poles, D coding.	Field attachable connector, M12 male connector with threaded joint, shieldable, assembling with spring-type terminals, 4 poles, D coding.
Environmental		
Degree of protection	IP 67 (only in locked position with it proper counterparts.)	
Operating temperature range	-40 °C to 90 °C	
Pollution degree	3	
Description		
Order Number	109969	109471
Note	Cat 5 and Cat 5e transmission properties according to ISO IEC 11801 and TIA/EIA-568-B.2. The application of these products in harsh environments should always be checked before use.	
Color housing	Silver	
Number of contacts	4	
Mechanical		
Type of plug-in contact	Male	Female
Thread	M12	
Design of electrical connection	spring-type terminals	
Coding of the M12 round plug	D	
Connectable conductor cross-section multiple wire (without sleeve)	0.14 - 0.50 mm ²	
connectable conductor cross-section multiple wire (with sleeve)	0.14 mm ²	
Materials		
Housing	GD-ZnAl	
Insert / Contact bearer	PBT	
Contact material	stainless steel	
Contact material - Surface refinement	silver-plated and gold-plated	
Knurled screw / nut material	CuZn, nickel-plated	
Sealing material	EPDM	
Shield sleeve	Shield contacting spring: CuBe, tined	
Electrical		
Contact resistance	≤ 5 mΩ	
Nominal current at 40° C	4A at 40°C	
Nominal voltage	60 V	
Rated voltage	250 V	
Test voltage	1.5 kV eff. /60 s	
Insulation resistance	> 1 GΩ	
Approvals		
Approvals	EN 50155, IEC 61373, DIN CLC/TS 50467, DIN CEN/TS 45545, DIN 5510	
RoHS 2002/95/EG compliant	yes	

The application of these products in harsh environments should always be checked before use. Specifications subject to alteration.

Face View

Male



Part number	Order number
0986 EFC 107	109969
0986 EMC 105	109471

