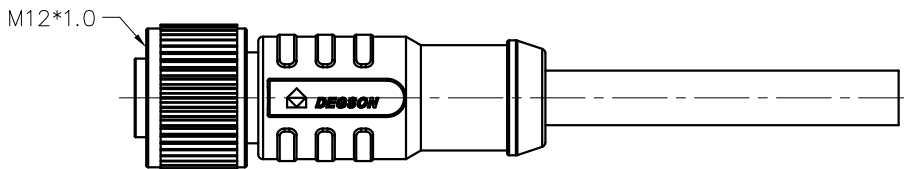
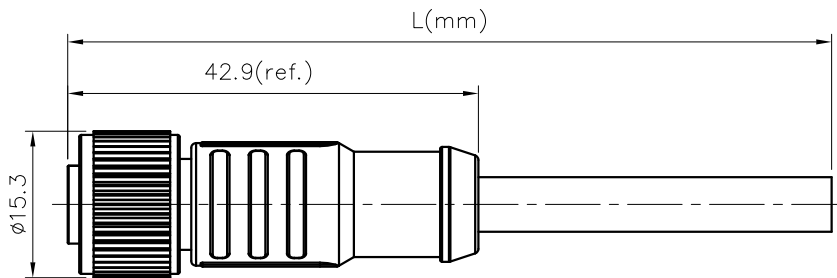
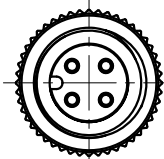
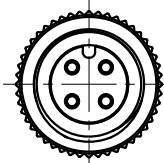


REVISION RECORD

REV	ECN	DESCRIPTION	DRFT	DATE
-----	-----	-------------	------	------



NOTES:

- Rated voltage/current : 3pin A: 250V / 4A
4pin A: 250V / 4A
5pin A: 60V / 4A
6pin A: 30V / 2A
8pin A: 30V / 2A

2. Withstanding voltage : AC1060V/1Min

3. Levels of protection: IP68

4. Cable specifications :

- 3pin A: 3C*22AWG/0.34mm², UL2517/UL20549
- 4pin A: 4C*22AWG/0.34mm², UL2517/UL20549
- 5pin A: 5C*22AWG/0.34mm², UL2517/UL20549
- 6pin A: 6C*24AWG/0.25mm², UL2517/UL20549
- 8pin A: 8C*24AWG/0.25mm², UL2517/UL20549

5. Wire connection mode: soldering

6. Operating temperature: -40°C~+85°C

7. RoHS Compliance

PM-M12X-XXP-FF-SL8XXX-00A(H)

Coding: A,B,D
Pin number: 03,04,
05,06,08,
10,12

Cable jacket:
A: PVC UL2517;
B: PUR UL20549

Cable length L:
01: 1M
...
99: 99M
The line grows business trip:
01~05m: ± 50mm
06~10m: ± 100mm
11~30m: ± 200mm
31~99m: ± 500mm

3pin A Coding		4pin A Coding		5pin A Coding		6pin A Coding		8pin A Coding	
Pin Assignments Front View		Pin Assignments Front View		Pin Assignments Front View		Pin Assignments Front View		Pin Assignments Front View	
								8	Red
								7	Blue
								6	Pink
				5	Grey			5	Grey
4	Black	4	Black	4	Black	4	Yellow	4	Yellow
3	Blue	3	Blue	3	Blue	3	Green	3	Green
		2	White	2	White	2	Brown	2	Brown
1	Brown	1	Brown	1	Brown	1	White	1	White
Pin	Wire Color	Pin	Wire Color	Pin	Wire Color	Pin	Wire Color	Pin	Wire Color
	Pin Out		Pin Out		Pin Out		Pin Out		Pin Out

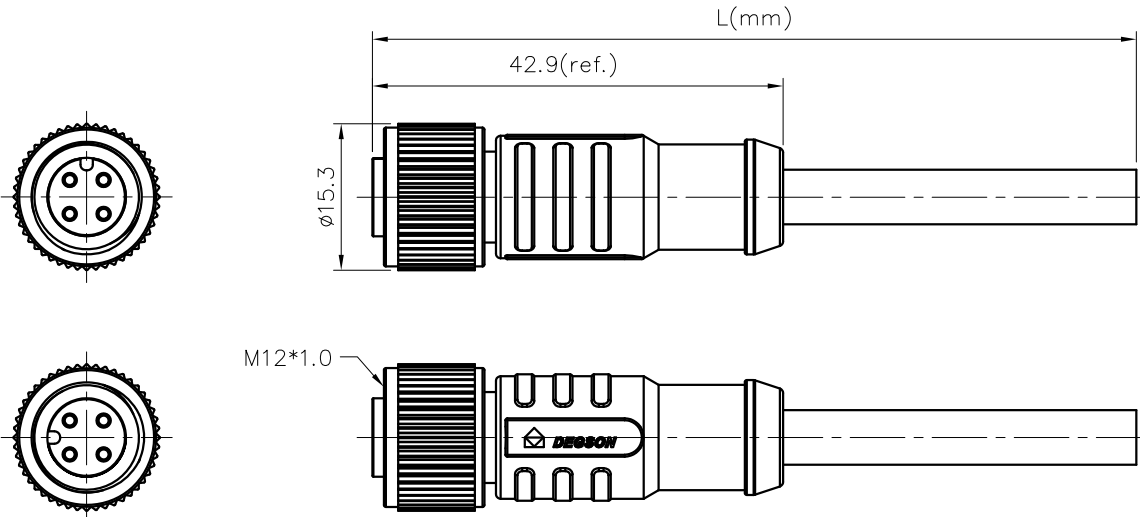
DETACHED LISTS	PART NO.: PMM12XXXPPFFSL8XXX00AH	宁波高松电子有限公司 NINGBO DEGSON ELECTRICAL CO., LTD		
	APPD:	NAME: PM-M12X-XXP-FF-SL8XXX-00A(H)		
	CHKD:	TITLE: CUSTOMER DRAWING		
	DRFT: LZ 2018.10.08	REV: D0-1	SHEET: 1/2	
		DRAWING NO.: XXXXXXXX-XX-CXX		SCALE: 1:1
THIRD ANGLE PROJECTION		DO NOT SCALE DRAWING		

REVISION RECORD

REV	ECN	DESCRIPTION	DRFT	DATE
-----	-----	-------------	------	------

H
G
F
E
D
C
B
A

H
G
F
E
D
C
B
A



NOTES:

- Rated voltage/current : 10pin A: 30V / 1.5A
12pin A: 30V / 1.5A
5pin B: 60V / 4A
4pin D: 250V / 4A
- Withstanding voltage : AC1060V/1Min
- Levels of protection:IP68
- Cable specifications :
10pin A: 10C*26AWG/0.14mm²,UL2517/UL20549
12pin A: 12C*26AWG/0.14mm²,UL2517/UL20549
5pin B: 5C*22AWG/0.34mm²,UL2517/UL20549
4pin D: 4C*22AWG/0.34mm²,UL2517/UL20549
- Wire connection mode:soldering
- Operating temperature:-40°C~+85°C
- RoHS Compliance

10pin A Coding		12pin A Coding		5pin B Coding		4pin D Coding	
Pin Assignments Front View		Pin Assignments Front View		Pin Assignments Front View		Pin Assignments Front View	
		12	Red/Blue				
		11	Grey/Pink				
10	Violet	10	Violet				
9	Red	9	Red				
8	Grey	8	Grey				
7	Black	7	Black				
6	Yellow	6	Yellow				
5	Pink	5	Pink	5	Grey		
4	Green	4	Green	4	Black	4	Black
3	White	3	White	3	Blue	3	Blue
2	Blue	2	Blue	2	White	2	White
1	Brown	1	Brown	1	Brown	1	Brown
Pin	Wire Color	Pin	Wire Color	Pin	Wire Color	Pin	Wire Color
	Pin Out		Pin Out		Pin Out		Pin Out

PM-M12X-XXP-FF-SL8XXX-00A(H)

Coding: A,B,D

Pin number: 03,04, 05,06,08, 10,12

Cable length L:
01: 1M
...
99: 99M
The line grows business trip:
01~05m: ± 50mm
06~10m: ± 100mm
11~30m: ± 200mm
31~99m: ± 500mm

Cable jacket:
A: PVC UL2517;
B: PUR UL20549

DETACHED LISTS	PART NO.: PMM12XXXPFSL8XXX00AH	宁波高松电子有限公司 NINGBO DEGSON ELECTRICAL CO., LTD		
	APPD:	NAME: PM-M12X-XXP-FF-SL8XXX-00A(H)		
	CHKD:	TITLE: CUSTOMER DRAWING		
	DRFT: LZ 2018.10.08	REV: D0-1	SHEET: 2/2	
		DRAWING NO.: XXXXXXXX-XX-CXX	SCALE: 1:1	
THIRD ANGLE PROJECTION		DO NOT SCALE DRAWING		