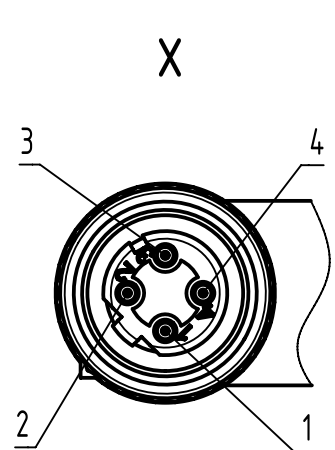
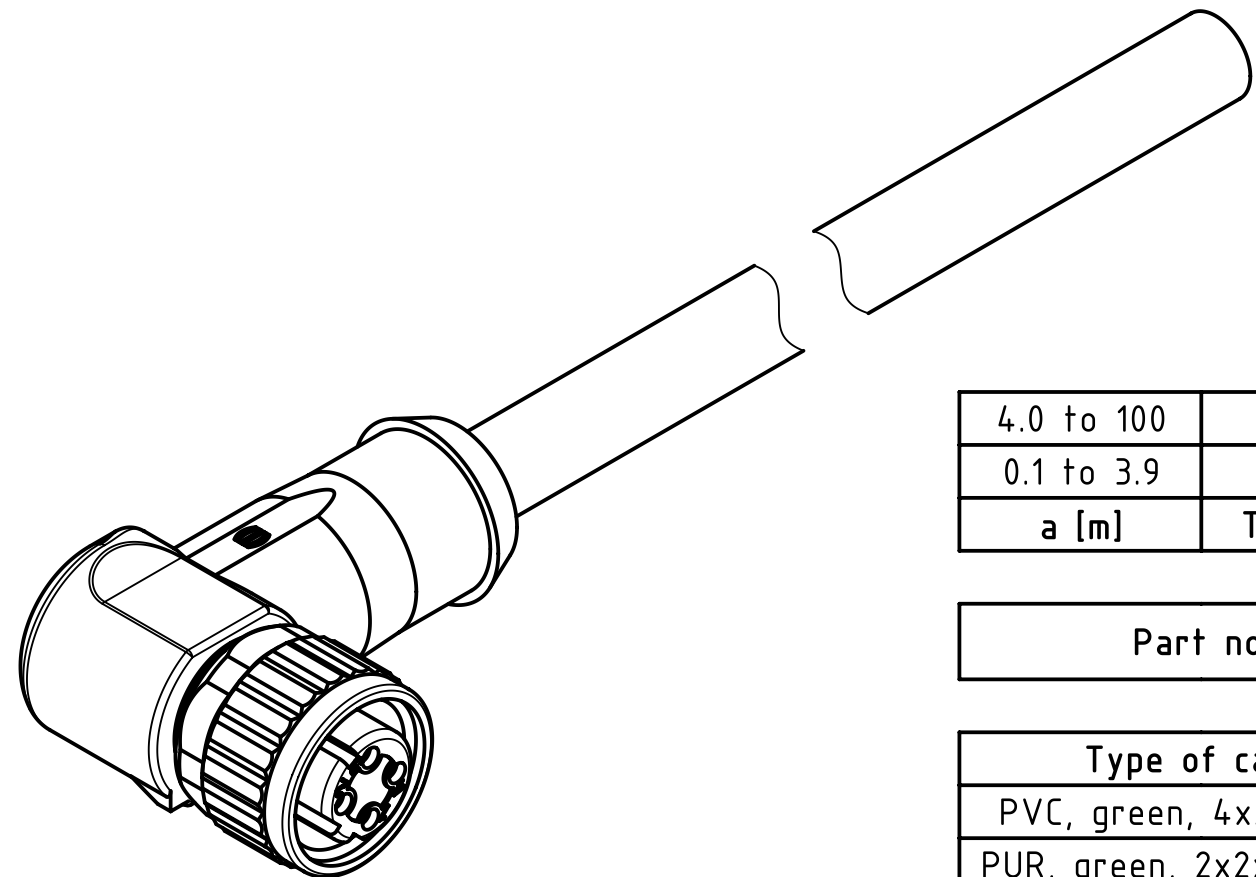


X↑



- Loading-Plan:**
- Shield
 - 1 yellow
 - 2 white
 - 3 orange
 - 4 blue



4.0 to 100	+1%
0.1 to 3.9	+0.04
a [m]	Tolerance

length in "1m" step	100	XXX=000
	99	XXX=990
	·	·
	12	XXX=120
	11	XXX=110
length in "0.1m" step	10	XXX=100
	9.9	XXX=099
	9.8	XXX=098
	·	·
	0.4	XXX=004
	0.3	XXX=003
	0.2	XXX=002
0.1	XXX=001	
Step	a [m]	XXX

Part no. 213495004XXXX

Type of cable	XX
PVC, green, 4xAWG22/7	XX=05
PUR, green, 2x2xAWG22/7	XX=77

- Protection level: IP67
 - Temperature range: -30°C ... +70°C

All rights reserved Department EC PD - RO HARTING Electronics GmbH D-32339 Espelkamp	All Dimensions in mm Original Size DIN A3	Scale 2:1 Free size tol.	Ref. Sub.	Created by MUNTEANV Inspected by AVRAM Title M12 D-coded Cable Assembly Type TB	Standardisation HOFFMANN Date 2015-11-27 State Final Release Number 213495004XXXX Rev. B	Doc-Key / ECM-Nr. 100588514/UGD/000/B 500000097719 Page 1/1
---	--	-----------------------------	--------------	--	--	--