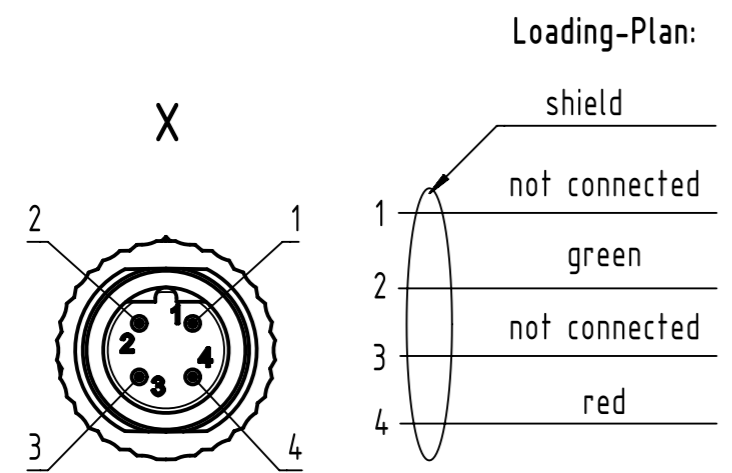


M12 B-coded 4-poles, male straight connector



Loading-Plan:

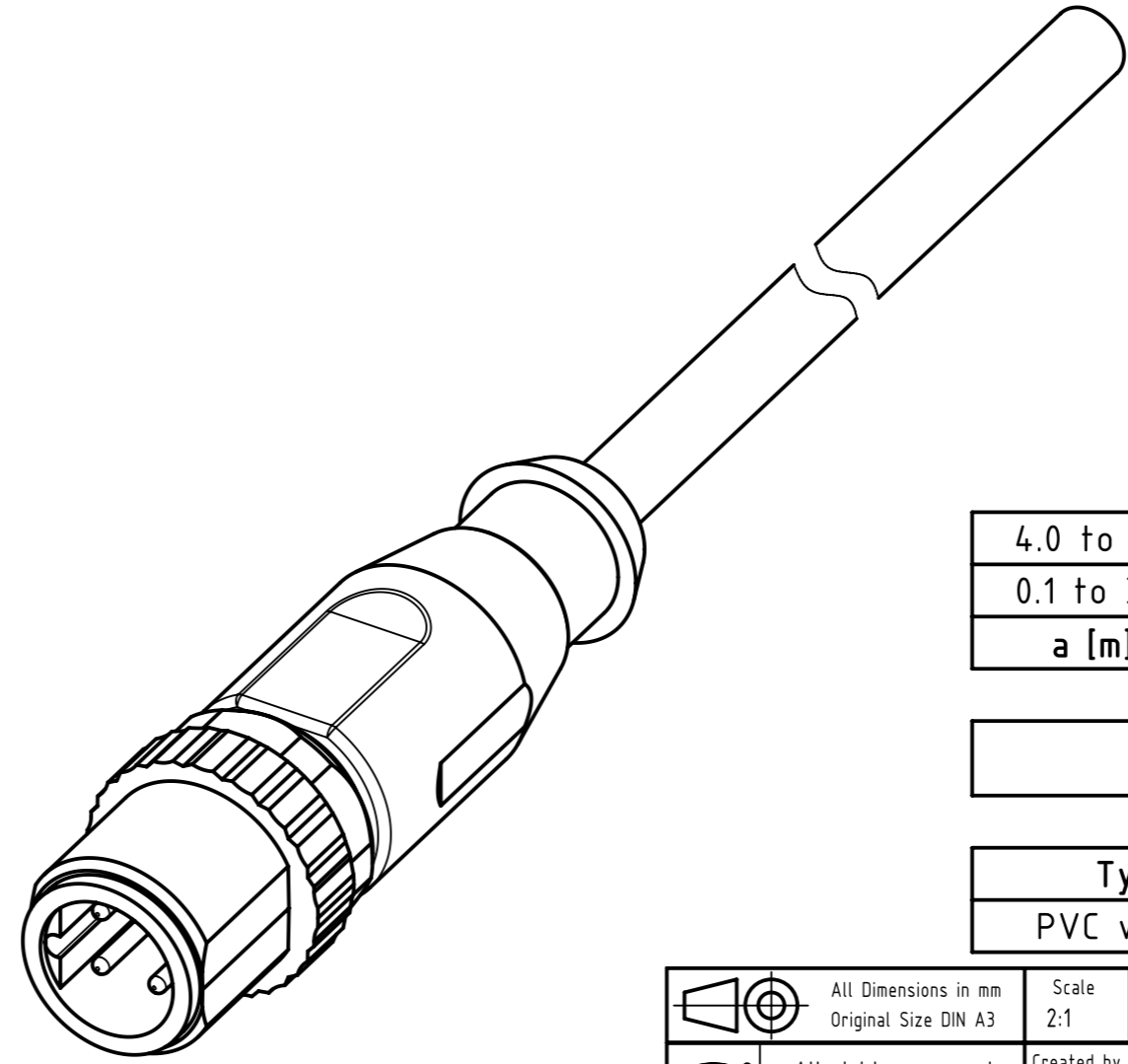
shield

not connected

green

not connected

red



- Protection level: IP67
- Temperature range: -30°C ... +60°C

length in "1m" step	40	XXX=400
	39	XXX=390
	.	.
	12	XXX=120
	11	XXX=110
length in "0.1m" step	10	XXX=100
	9.9	XXX=099
	9.8	XXX=098
	.	.
	0.4	XXX=004
	0.3	XXX=003
	0.2	XXX=002
	0.1	XXX=001
Step	a [m]	XXX

4.0 to 40	+1%
0.1 to 3.9	+0.04
a [m]	Tolerance

Part no.	213488004XXXXXX
----------	-----------------

Type of cable	XX
PVC violet, 2xAWG22	XX=86

All rights reserved Department EC PD - RO HARTING Electronics GmbH D-32339 Espelkamp		All Dimensions in mm Original Size DIN A3 Scale 2:1 Free size tol. Created by TOMUTA Inspected by AVRAM Standardisation KOHLER Date 2014-07-16 State Final Release Title M12 B-coded Cable Assembly Type TB Number 213488004XXXXXX Doc-Key / ECM-Nr. 100579378/UGD/009/A 50000077557 Rev. A Page 1/1
---	--	--