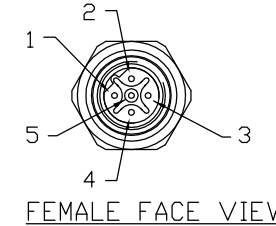
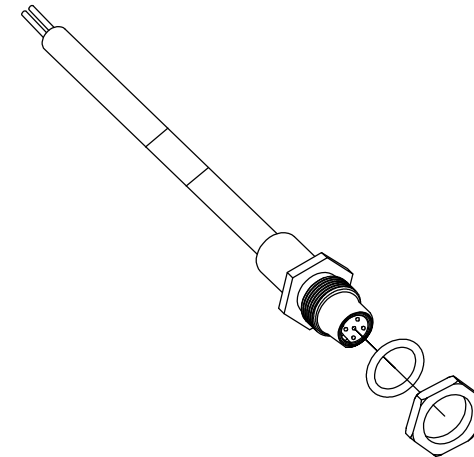
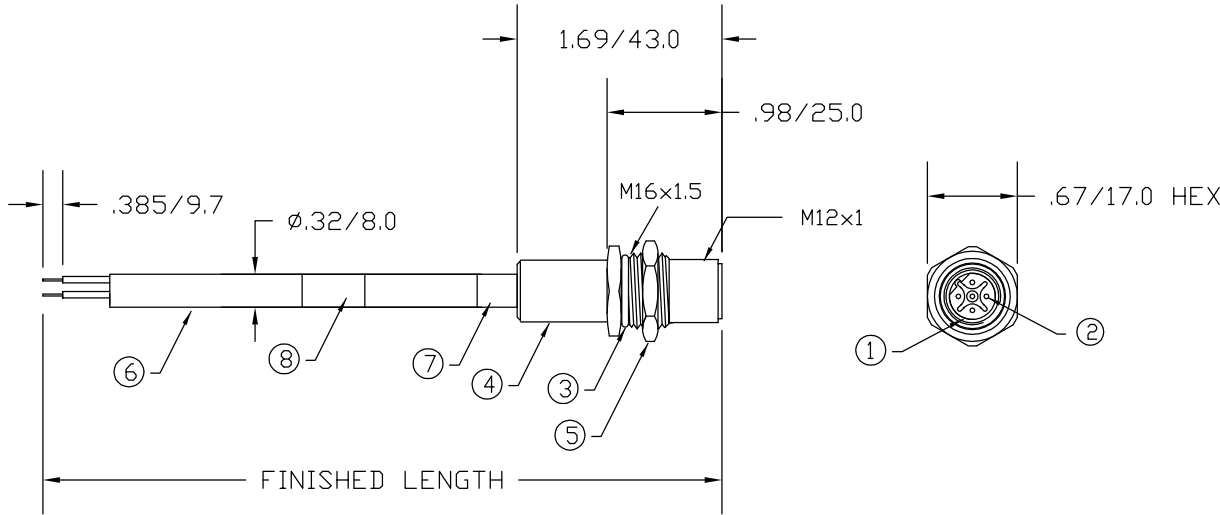


MATERIAL NUMBER	OLD PART NUMBER	FINISHED LENGTH
120099-0005	BR5U70PP4M0103	3.28' +2.19" -0 [1.0M +55.6 -0]
120099-0007	BR5U70PP4M0203	6.56' +3.50" -0 [2.0M +88.9 -0]
120099-0008	BR5U70PP4M0303	9.84' +3.50" -0 [3.0M +88.9 -0]
120099-0009	BR5U70PP4M0403	13.12' +6.50" -0 [4.0M +165.1 -0]
120099-0010	BR5U70PP4M0503	16.40' +6.50" -0 [5.0M +165.1 -0]



WIRING DIAGRAM
1 NOT CONNECTED
2 GREEN (LINE A)
3 NOT CONNECTED
4 RED (LINE B)
5 DRAIN WIRE

WIRING DIAGRAM

ITEM	COMPONENT	MATERIAL	FINISH
1	INSERT	NYLON	BLACK
2	CONTACT SOCKET	COPPER ALLOY	GOLD OVER NICKEL
3	O-RING	NITRILE	BLACK
4	RECEPTACLE SHELL	BRASS	NICKEL PLATED
5	LOCKNUT	BRASS	NICKEL PLATED
6	CONDUCTOR- 24 AWG, (.22mm) COPPER STRANDING TWISTED PAIR SHIELD WITH BRAID	PUR	PURPLE
7	HEAT SHRINK TUBING	POLYOLEFIN	BLACK
8	LABEL	MYLAR	BLACK/YELLOW

VOLTAGE RATING	250 VAC/VDC
AMPERAGE RATING	4 AMPS
PROTECTION	IP67
OPERATING TEMPERATURE	-20°C TO 80°C

RLSD DRAWING
 EC NO: WNA2010-0139 8/27/09
 DRWN: BWOODMAN
 CHKD: JM
 APPR: JFMURPHY 2009/08/31

QUALITY SYMBOLS
 = 0
 = 0

GENERAL TOLERANCES (UNLESS SPECIFIED)

	mm	INCH
4 PLACES	±.004	±.001
3 PLACES	±.005	±.001
2 PLACES	±.007	±.001
1 PLACE	±0.010	±.001

ANGULAR ±.01°
DRAFT WHERE APPLICABLE MUST REMAIN WITHIN DIMENSIONS

DIMENSION STYLE
 IN/MM

SCALE

DESIGN UNITS

THIRD ANGLE PROJECTION

QUALITY SYMBOLS
 = 0
 = 0

TITLE
 MICRO-CHANGE RECEPTACLE
 5P FEMALE PROFIBUS
 M16 MOUNTING THREADS

APPROVED BY
 JFMURPHY 2009/08/28

DATE
 2009/08/27

MATERIAL NO.
 SEE CHART

DOCUMENT NO.
 SD-120099-002

SHEET NO.
 1 OF 1

MOLEX INCORPORATED

THIS DRAWING CONTAINS INFORMATION THAT IS PROPRIETARY TO MOLEX INCORPORATED AND SHOULD NOT BE USED WITHOUT WRITTEN PERMISSION

6

5

4

3

2

1

E

E

D

D

C

C

B

B

A

A

6

5

4

3

2

1