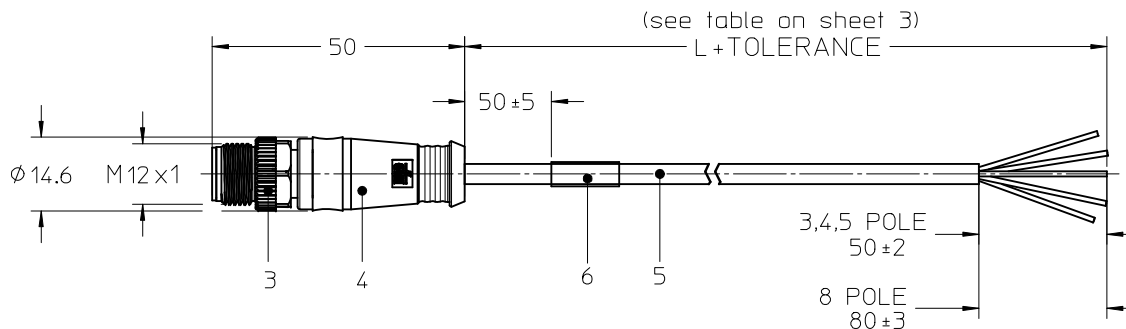
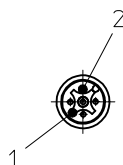


STRAIGHT PLUG MALE



NOTES:

TEMPERATURE RANGE	SEE TABLE ON PAGE 2
CONTACT CURRENT RATING	3-5 POLES 4A 8 POLES 2A
VOLTAGE RATING	3-4 POLES 250V 5 POLES 60V 8 POLES 30V
PROTECTION CLASS	IP 67

TOLERANCES :	
≤ 1m	+40 mm
1m - 5m	+60 mm
5m - 10m	+80 mm
> 10m	+140 mm
> 20m	+160 mm
> 30m	+1%

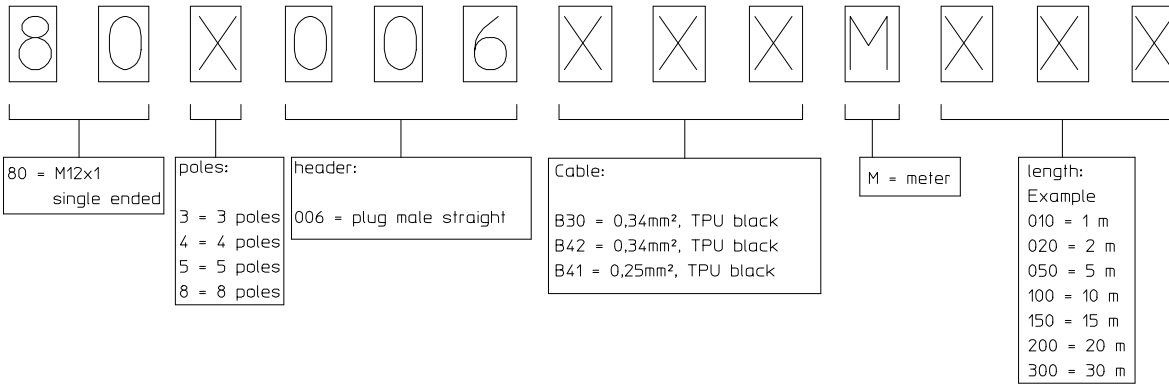
Mating face view:

3 WIRE	4 WIRE	5 WIRE	5 WIRE	8 WIRE
B30	B30	B30	B42	B41
PIN # WIRE	PIN # WIRE	PIN # WIRE	PIN # WIRE	PIN # WIRE
1 BROWN 2 - 3 BLUE 4 BLACK 5 -	1 BROWN 2 WHITE 3 BLUE 4 BLACK 5 -	1 BROWN 2 WHITE 3 BLUE 4 BLACK 5 GREY	1 BROWN 2 WHITE 3 BLUE 4 BLACK 5 GREEN/YELLOW	1 WHITE 2 BROWN 3 GREEN 4 YELLOW 5 GREY 6 PINK 7 BLUE 8 RED
CODING REQUIRED TO IEC 61076-2-101				

6	LABEL	---	---
5	CABLE	SEE TABLE (SHEET 2)	---
4	OVERMOULDING	TPU	BLACK
3	COUPLING NUT MALE SW13	BRASS	NI PLATED
2	PIN CONTACT	BRASS	GOLD PLATED
1	INSERT	PA	BLACK
ITEM	DESCRIPTION	MATERIAL	FINISH

ENTER DESCRIPTION EC NO: IPG2015-0861 DRW: FSCHAFHAUSER 2014/11/06 CHK: DRSILLER 2014/11/07 APPR: CBURGER 2014/11/14	QUALITY SYMBOLS ▽=0 ◻=0	GENERAL TOLERANCES (UNLESS SPECIFIED)		DIMENSION STYLE	SCALE	DESIGN UNITS	THIRD ANGLE PROJECTION	
				MM ONLY	1:1	METRIC		
				DRAWN BY DATE	TITLE			
				CHECKED BY DATE	CSE M12 XP AC MA STR XM SE UNSH			
		APPROVED BY DATE						
		CBURGER 2014/05/07						
		ANGULAR ± 1 °		MATERIAL NO.	DOCUMENT NO.	SHEET NO.		
		DRAFT WHERE APPLICABLE MUST REMAIN WITHIN DIMENSIONS		SEE TABLE	SD-120065-073	1 OF 3		
				THIS DRAWING CONTAINS INFORMATION THAT IS PROPRIETARY TO MOLEX INCORPORATED AND SHOULD NOT BE USED WITHOUT WRITTEN PERMISSION				

NUMERICAL CODE (Available parts see table page 3 ff others on request.)




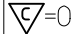
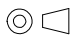
CABLE TYPE	WIRE GAUGE	CABLE JACKET	UL	CSA	static	flexing	drag chain tested	other
B30 3P, 4P, 5P	0.34mm ²	TPU black	STYLE 21215	yes	-40°C to +90°C 5xD	-25°C to +80°C 7.5xD	5 mio cycles	WELD SLAG RESISTANCE
B42 5P								
B41 8P	0.25mm ²	TPU black	STYLE 21215	yes	-40°C to +90°C 5xD	-25°C to +80°C 7.5xD	5 mio cycles	WELD SLAG RESISTANCE

For cable specification see on drawing SD-120209-001 (B30;B42) and SD-120209-006 (B41)

ENTER DESCRIPTION EC NO: IPG2015-0861 DRWN:FSCHAFHAUSER 2014/11/06 CHKD:RSILLER 2014/11/07 APPR:CBURGER 2014/11/14	DESCRIPTION REV	QUALITY SYMBOLS	GENERAL TOLERANCES (UNLESS SPECIFIED)	DIMENSION STYLE	SCALE	DESIGN UNITS	THIRD ANGLE PROJECTION
		▼=0 □=0	mm INCH	MM ONLY	1:1	METRIC	☉ □ THIRD ANGLE PROJECTION
		4 PLACES ± --- ± --- 3 PLACES ± --- ± --- 2 PLACES ± 0.05 ± --- 1 PLACE ± 0.30 ± --- 0 PLACE ± 0.50 ± ---	DRAWN BY DATE FSCHAFHAUSER 2014/01/07 CHECKED BY DATE PMERUNKA 2014/03/06 APPROVED BY DATE CBURGER 2014/05/07	TITLE			
		ANGULAR ± 1 ° DRAFT WHERE APPLICABLE MUST REMAIN WITHIN DIMENSIONS	MATERIAL NO. SEE TABLE SIZE A3	DOCUMENT NO. SD-120065-073	SHEET NO. 2 OF 3		

PART LIST

PART NUMBER	NUMERICAL CODE	CABLE LENGTH "L" IN M
1200652271	803006B30M010	1M
1200652272	803006B30M020	2M
1200652273	803006B30M050	5M
1200652274	803006B30M100	10M
1200652275	804006B30M010	1M
1200652276	804006B30M020	2M
1200652277	804006B30M050	5M
1200652278	804006B30M100	10M
1200659440	804006B30M150	15M
1200659526	805006B30M010	1M
1200659527	805006B30M020	2M
1200659528	805006B30M050	5M
1200659529	805006B30M100	10M
1200652279	805006B42M010	1M
1200652280	805006B42M020	2M
1200652281	805006B42M050	5M
1200652282	805006B42M100	10M
1200659546	805006B42M200	20M
1200659547	805006B42M300	30M
1200652302	808006B41M010	1M
1200659453	808006B41M020	2M
1200652304	808006B41M050	5M
1200652305	808006B41M100	10M

ENTER DESCRIPTION EC NO: IPG2015-0861 DRWN:FSCHAFHAUSER 2014/11/06 CHKD:RSILLER 2014/11/07 APPR:CBURGER 2014/11/14	DESCRIPTION REV 4	QUALITY SYMBOLS  =0  =0	GENERAL TOLERANCES (UNLESS SPECIFIED) <table border="1"> <thead> <tr> <th></th> <th>mm</th> <th>INCH</th> </tr> </thead> <tbody> <tr><td>4 PLACES</td><td>± ---</td><td>± ---</td></tr> <tr><td>3 PLACES</td><td>± ---</td><td>± ---</td></tr> <tr><td>2 PLACES</td><td>± 0.05</td><td>± ---</td></tr> <tr><td>1 PLACE</td><td>± 0.30</td><td>± ---</td></tr> <tr><td>0 PLACE</td><td>± 0.50</td><td>± ---</td></tr> </tbody> </table>		mm	INCH	4 PLACES	± ---	± ---	3 PLACES	± ---	± ---	2 PLACES	± 0.05	± ---	1 PLACE	± 0.30	± ---	0 PLACE	± 0.50	± ---	DIMENSION STYLE MM ONLY	SCALE 1:1	DESIGN UNITS METRIC	 THIRD ANGLE PROJECTION
			mm	INCH																					
		4 PLACES	± ---	± ---																					
		3 PLACES	± ---	± ---																					
2 PLACES	± 0.05	± ---																							
1 PLACE	± 0.30	± ---																							
0 PLACE	± 0.50	± ---																							
		DRAWN BY: FSCHAFHAUSER DATE: 2014/01/07	CHECKED BY: PMERUNKA DATE: 2014/03/06	TITLE CSE M12 XP AC MA STR XM SE UNSH																					
		APPROVED BY: CBURGER DATE: 2014/05/07	MATERIAL NO. SEE TABLE		DOCUMENT NO. SD-120065-073		SHEET NO. 3 OF 3																		
		DRAFT WHERE APPLICABLE MUST REMAIN WITHIN DIMENSIONS	THIS DRAWING CONTAINS INFORMATION THAT IS PROPRIETARY TO MOLEX INCORPORATED AND SHOULD NOT BE USED WITHOUT WRITTEN PERMISSION																						