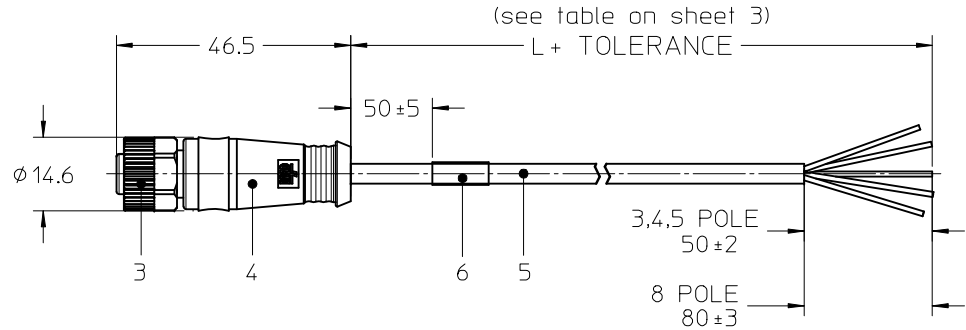
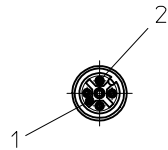


STRAIGHT PLUG FEMALE



NOTES:

TEMPERATURE RANGE SEE TABLE ON PAGE 2

CONTACT CURRENT RATING 3-5 POLES 4A
8 POLES 2A

VOLTAGE RATING 3-4 POLES 250V
5 POLES 60V
8 POLES 30V

PROTECTION CLASS IP 67

TOLERANCES:	
≤ 1m	+40 mm
1m - 5m	+60 mm
5m - 10m	+80 mm
> 10m	+140 mm
> 20m	+160 mm
> 30m	+1%

Mating face view:

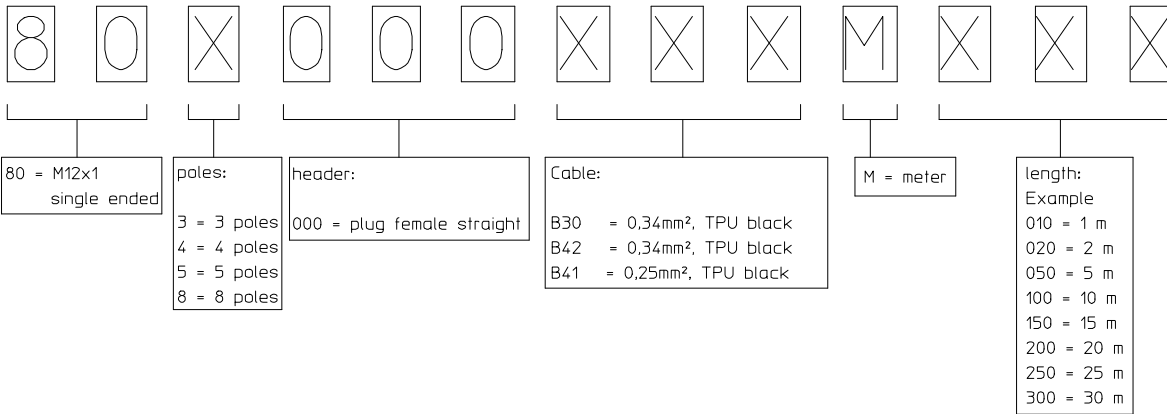
3 WIRE	4 WIRE	5 WIRE	5 WIRE	8 WIRE
B30	B30	B30	B42	B41
PIN # WIRE	PIN # WIRE	PIN # WIRE	PIN # WIRE	PIN # WIRE
1 BROWN	1 BROWN	1 BROWN	1 BROWN	1 WHITE
2 -	2 WHITE	2 WHITE	2 WHITE	2 BROWN
3 BLUE	3 BLUE	3 BLUE	3 BLUE	3 GREEN
4 BLACK	4 BLACK	4 BLACK	4 BLACK	4 YELLOW
5 -	5 -	5 GREY	5 GREEN/YELLOW	5 GREY
			6 PINK	6 PINK
			7 BLUE	7 BLUE
			8 RED	8 RED

CODING REQUIRED TO IEC 61076-2-101

ITEM	DESCRIPTION	MATERIAL	FINISH
6	LABEL	---	---
5	CABLE	SEE TABLE (SHEET 2)	---
4	OVERMOULDING	TPU	BLACK
3	COUPLING NUT FEMALE SW13	BRASS	Ni PLATED
2	PIN CONTACT	BRASS	GOLD PLATED
1	INSERT	PA	BLACK

ENTER DESCRIPTION EC NO: IPG2015-0861 DRW:FSCHAFHAUSER 2014/11/06 CHK:RSILLER 2014/11/07 APPR:CBURGER 2014/11/14	QUALITY SYMBOLS ▽=0 ◻=0	GENERAL TOLERANCES (UNLESS SPECIFIED)		DIMENSION STYLE MM ONLY	SCALE 1:1	DESIGN UNITS METRIC	THIRD ANGLE PROJECTION		
		4 PLACES ± --- ± --- 3 PLACES ± --- ± --- 2 PLACES ± 0.05 ± --- 1 PLACE ± 0.30 ± --- 0 PLACE ± 0.50 ± ---	mm INCH	DRAWN BY DATE FSCHAFHAUSER 2014/02/03	CHECKED BY DATE PMERUNKA 2014/03/06	TITLE CSE M12 XP AC FE STR XM SE UNSH			
		ANGULAR ± 1 ° DRAFT WHERE APPLICABLE MUST REMAIN WITHIN DIMENSIONS	MATERIAL NO.	APPROVED BY DATE CBURGER 2014/05/07	DOCUMENT NO. SD-120065-074	SHEET NO. 1 OF 3			
		SIZE A3	THIS DRAWING CONTAINS INFORMATION THAT IS PROPRIETARY TO MOLEX INCORPORATED AND SHOULD NOT BE USED WITHOUT WRITTEN PERMISSION						

NUMERICAL CODE (Available parts see table page 3 ff others on request.)



CABLE TYPE	WIRE GAUGE	CABLE JACKET	UL	CSA	static	flexing	drag chain tested	other
B30 3P, 4P, 5P	0.34mm ²	TPU black	STYLE 21215	yes	-40°C to +90°C 5xD	-25°C to +80°C 7.5xD	5 mio cycles	WELD SLAG RESISTANCE
B42 5P								
B41 8P	0.25mm ²	TPU black	STYLE 21215	yes	-40°C to +90°C 5xD	-25°C to +80°C 7.5xD	5 mio cycles	WELD SLAG RESISTANCE

For cable specification see on drawing SD-120209-001 and SD-120209-006

ENTER DESCRIPTION EC NO: IPG2015-0861 DRWN:FSCHAFHAUSER 2014/11/06 CHKD:RSILLER 2014/11/07 APPR:CBURGER 2014/11/14	DESCRIPTION REV	QUALITY SYMBOLS	GENERAL TOLERANCES (UNLESS SPECIFIED)	DIMENSION STYLE	SCALE	DESIGN UNITS	THIRD ANGLE PROJECTION	
		▼=0 ◻=0	mm INCH	MM ONLY	1:1	METRIC		
			4 PLACES ± --- ± --- 3 PLACES ± --- ± --- 2 PLACES ± 0.05 ± --- 1 PLACE ± 0.30 ± --- 0 PLACE ± 0.50 ± ---	DRAWN BY DATE FSCHAFHAUSER 2014/02/03	CHECKED BY DATE PMERUNKA 2014/03/06	TITLE CSE M12 XP AC FE STR XM SE UNSH		
		ANGULAR ± 1 °	APPROVED BY DATE CBURGER 2014/05/07	MATERIAL NO.	DOCUMENT NO.	SHEET NO.		
4		DRAFT WHERE APPLICABLE MUST REMAIN WITHIN DIMENSIONS	SEE TABLE	SD-120065-074			2 OF 3	
			THIS DRAWING CONTAINS INFORMATION THAT IS PROPRIETARY TO MOLEX INCORPORATED AND SHOULD NOT BE USED WITHOUT WRITTEN PERMISSION					

PART LIST

PART NUMBER	NUMERICAL CODE	CABLE LENGTH "L" IN M
1200652247	803000B30M010	1M
1200652248	803000B30M020	2M
1200652249	803000B30M050	5M
1200652250	803000B30M100	10M
1200652251	804000B30M010	1M
1200652252	804000B30M020	2M
1200659466	804000B30M030	3M
1200652253	804000B30M050	5M
1200652254	804000B30M100	10M
1200659400	804000B30M150	15M
1200659467	804000B30M200	20M
1200659468	804000B30M250	25M
1200659469	804000B30M300	30M
1200659518	805000B30M010	1M
1200659519	805000B30M020	2M
1200659520	805000B30M050	5M
1200659521	805000B30M100	10M
1200652255	805000B42M010	1M
1200652256	805000B42M020	2M
1200652257	805000B42M050	5M
1200652258	805000B42M100	10M
1200659543	805000B42M200	20M
1200659544	805000B42M300	30M
1200652306	808000B41M010	1M
1200659458	808000B41M020	2M
1200652308	808000B41M050	5M
1200659463	808000B41M100	10M

ENTER DESCRIPTION EC NO: IPG2015-0861 DRWN:FSCHAFHAUSER 2014/11/06 CHKD:RSILLER 2014/11/07 APPR:CBURGER 2014/11/14	DESCRIPTION REV 4	QUALITY SYMBOLS ▽=0 ▽=0	GENERAL TOLERANCES (UNLESS SPECIFIED)		DIMENSION STYLE MM ONLY		SCALE 1:1	DESIGN UNITS METRIC	THIRD ANGLE PROJECTION			
				mm	INCH	DRAWN BY	DATE	TITLE				
				4 PLACES	± ---	± ---	FSCHAFHAUSER	2014/02/03	CSE M12 XP AC FE STR XM SE UNSH			
				3 PLACES	± ---	± ---	CHECKED BY	DATE				
		2 PLACES	± 0.05	± ---	PMERUNKA	2014/03/06						
		1 PLACE	± 0.30	± ---	APPROVED BY	DATE						
		0 PLACE	± 0.50	± ---	CBURGER	2014/05/07						
		ANGULAR ± 1 °		MATERIAL NO.		DOCUMENT NO.		SHEET NO.				
		DRAFT WHERE APPLICABLE MUST REMAIN WITHIN DIMENSIONS		SEE TABLE		SD-120065-074		3 OF 3				
				SIZE	THIS DRAWING CONTAINS INFORMATION THAT IS PROPRIETARY TO MOLEX INCORPORATED AND SHOULD NOT BE USED WITHOUT WRITTEN PERMISSION							
				A3								