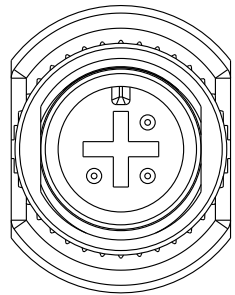
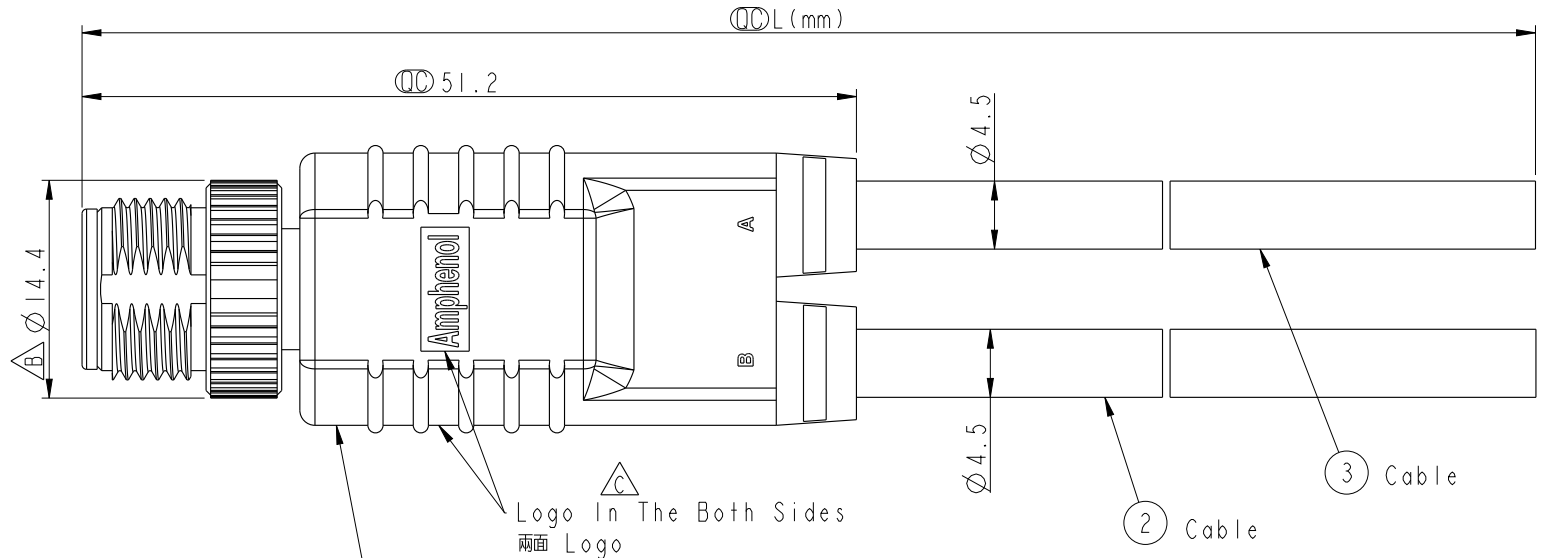


REV.	ECN NO.	DATE	SIGN	DESCRIPTION
B	LEN1130160-163	2011/02/25	Jiang Jun Hua	REF. TO ECR/N.NOTE.
C	LEN13B0198-201	2013/08/08	Cary	Change Logo From LTW To Amphenol



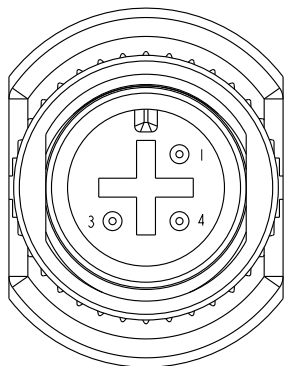
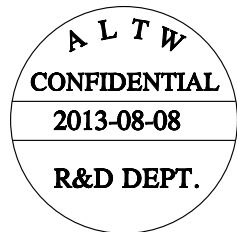
Conn.



① SS-030000-M00-YS000  
Color: Black  
SS-030000-M00-YSBXX

XX: 01~99Meter  
01: 01Meter  
02: 02Meters  
:  
99: 99Meters  
Cable Length(L): 01~99Meters

- Note:
- \*  $\varnothing$  Important Dimension.
  - \* Waterproof Rate: IP68  
IP68: 1M Depth Of Water In 24hours.
  - \* Housing: PU, Black
  - \* Male Pin: Copper Alloy, Gold Plated.
  - \* Cable: 22AWG\*3C+Talcum, PU Jacket, Black, OD=4.5mm.
  - \* Cable Length Tolerance: 01M: ±40mm  
02M~05M: ±60mm  
06M~10M: ±100mm  
11M~30M: ±200mm  
31M~99M: ±500mm



Pin Assignments  
Front View

4	Black 黑	Black 黑
3	Blue 藍	Blue 藍
1	Brown 棕	Brown 棕
	A	B
Conn.	Wire Color	Pin Out

UNIT:mm

TOLERANCE ±0.5mm

TITLE M12 Cable Screw 3Pin M Conn M Pin			
SCALE 1:1	SIZE A4	SHEET 1 OF 1	
REV. C	WC-REV. A.3	$\varnothing$ : Inspection item	

**Amphenol LTW**  
安費諾亮泰企業股份有限公司

ITEM NO	DRAWN BY Cary_liu	DATE 2013-08-08
DWG NO SS-030000-M00-YSBXX	CHECKED BY Mafei	DATE 2013-08-08
CUSTOMER ALTW	APPROVED BY Victor	DATE 2013-08-08

THIS DOCUMENT IS SUBJECT TO CHANGE WITHOUT NOTICE. IT IS CONFIDENTIAL AND A PROPERTY OF Amphenol LTW. DISCLOSURE TO THIRD PARTY HAS TO BE AUTHORIZED BY Amphenol LTW.