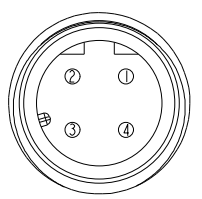
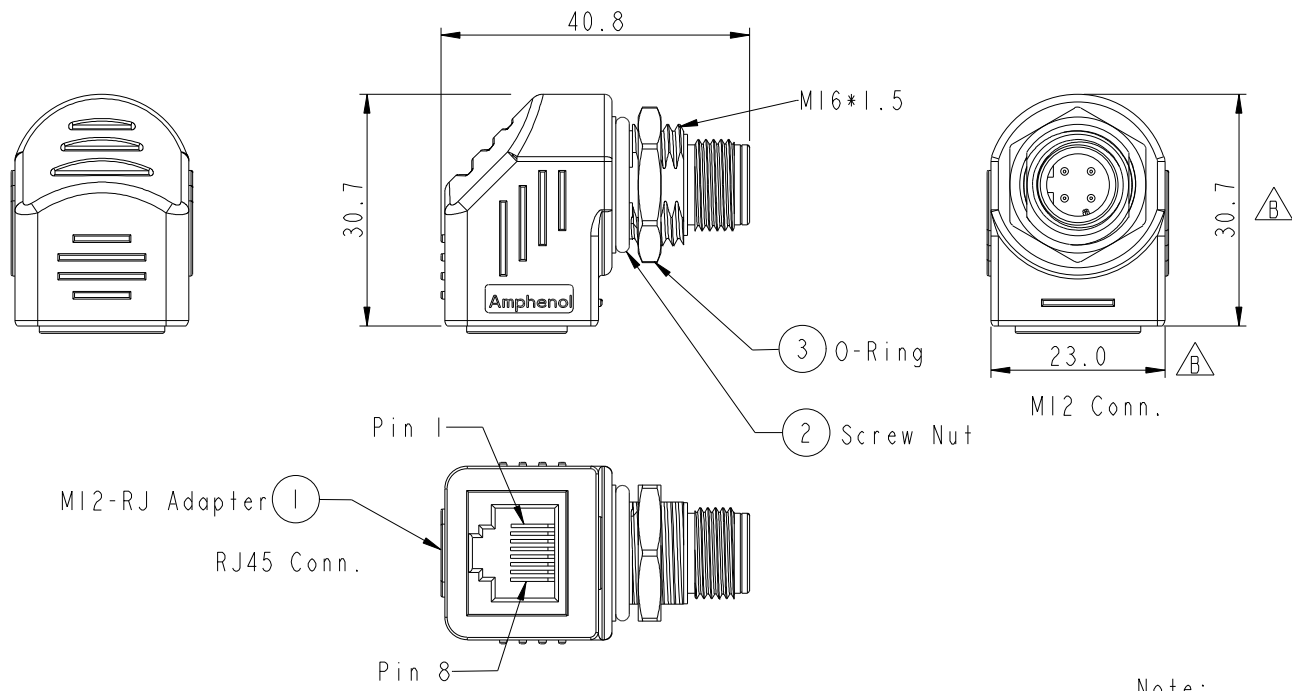
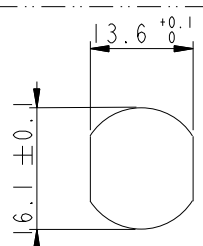


THIS DOCUMENT IS SUBJECT TO CHANGE WITHOUT NOTICE. IT IS CONFIDENTIAL AND A PROPERTY OF Amphenol LTW. DISCLOSURE TO THIRD PARTY HAS TO BE AUTHORIZED BY Amphenol LTW.

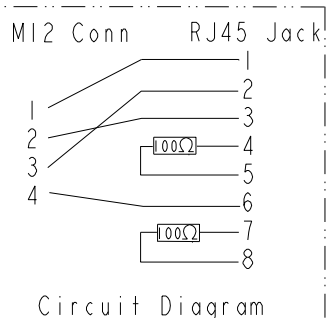
REV.	ECN NO.	DATE	SIGN	DESCRIPTION
A		2013-02-04	Lu Di	Change Rev.01 To Rev.A
B	LE31350019	2013-04-22	Lu Di	Update The Dimensions



Pin Assignments Front View



M12 Recommended Panel Cut-Out



Circuit Diagram

ALTW
CONFIDENTIAL
2013-04-22
R&D DEPT.

ALTW
DCC. DEPT.
CONFIDENTIAL
2013.05.08
ISSUED

- Note:
- * \varnothing Important Dimension
 - * Waterproof Rate: IP65(MOLDING)
 - * Waterproof Rate: IP68(MI2)
(Under Water 1M 24 hours)
 - * Pin: Copper Alloy, Gold Plated
 - * Nut: Zinc Alloy, Nickel Plated
 - * Shield: Copper Alloy, Nickel Plated
 - * O-Ring: Viton, Black.
 - * Jack: PBT, Black.
 - * Housing: Nylon+GF, Black.
 - * Panel Thickness Max: 5.0mm

UNIT: mm

TOLERANCE $\pm 0.5\text{mm}$

TITLE ADAPTOR, SHIELDED M12 D CODE TO RJ45			
SCALE 1:1	SIZE A4	SHEET 1 OF 2	
REV. B	WC-REV. A.3	\varnothing : Inspection item	

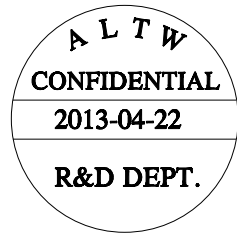
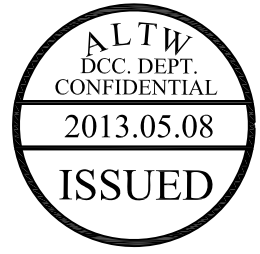
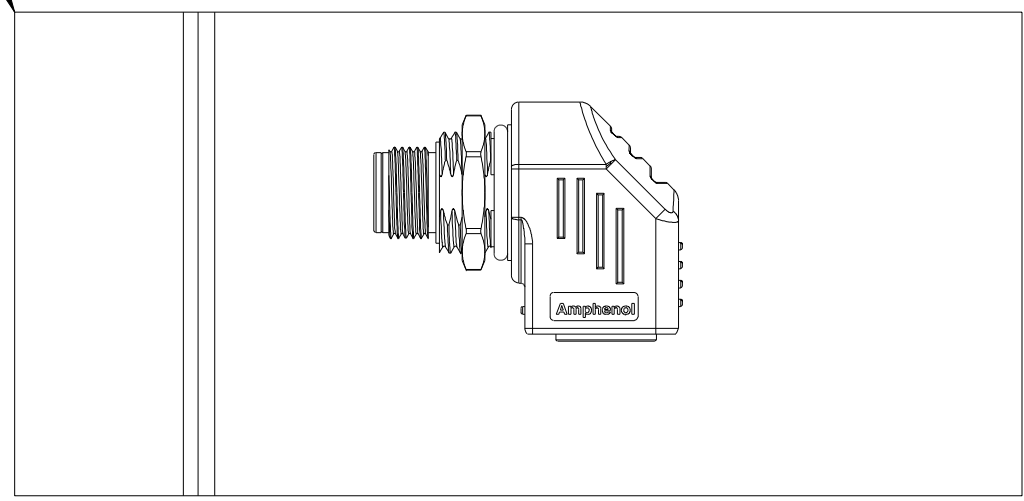
Amphenol LTW
安費諾亮泰企業股份有限公司

ITEM NO. RJS-12D04FM-RS8001	DRAWN BY Di_lu	DATE 2013-04-22
DWG NO. RJS-12D04FM-RS8001	CHECKED BY Mafei	DATE 2013-04-22
CUSTOMER ALTW	APPROVED BY Victor	DATE 2013-04-22

THIS DOCUMENT IS SUBJECT TO CHANGE WITHOUT NOTICE. IT IS CONFIDENTIAL AND A PROPERTY OF AMPHENOL LTW. DISCLOSURE TO THIRD PARTY HAS TO BE AUTHORIZED BY AMPHENOL LTW.

1	2	3	4	5	6	7	8
REV.	ECN NO.	DATE	SIGN	DESCRIPTION			

Zipper Bag ④



* 1 Product With 1 Zipper Bag

A

UNIT:mm		
TOLERANCE		
±0.5mm		

TITLE ADAPTOR, SHIELDED M12 D CODE TO RJ45			
SCALE 1:1	SIZE A4	SHEET 2 OF 2	
REV. B	WC-REV. A.3	QC: Inspection item	

Amphenol LTW
安費諾亮泰企業股份有限公司

ITEM NO. RJS-12D04FM-RS8001	DRAWN BY Di_lu	DATE 2013-04-22
DWG NO. RJS-12D04FM-RS8001	CHECKED BY Mafei	DATE 2013-04-22
CUSTOMER ALTW	APPROVED BY Victor	DATE 2013-04-22