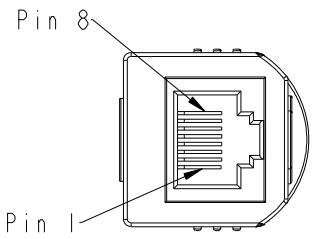
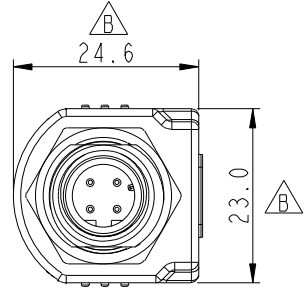
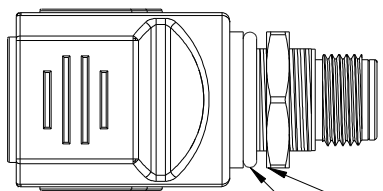


REV.	ECN NO.	DATE	SIGN	DESCRIPTION
A		2013-02-06	Lu Di	Change Rev.01 To Rev.A
B	LE31350018	2013-04-22	Lu Di	Update The Dimensions



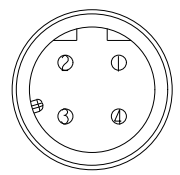
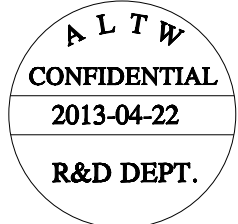
RJ45 Conn.



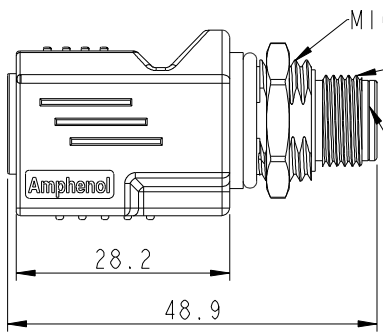
M12 Conn.

3 Nut

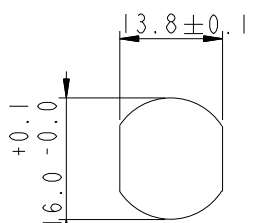
2 O-Ring



Pin Assignments Front View

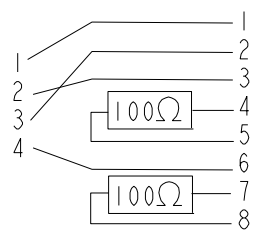


1 M12-RJ Adapter

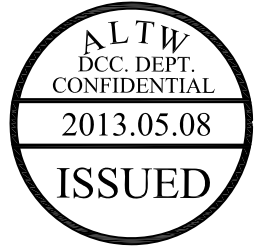


M12 Recommended Panel Cut-Out

M12 Conn RJ45 Jack



Circuit Diagram



Note:

- \* (QC) Important Dimension
- \* Waterproof Rate: IP65(MOLDING)
- \* Waterproof Rate: IP68(M12) (Under Water 1M 24 hours)
- \* Pin: Copper Alloy, Gold Plated
- \* Nut: Zinc Alloy, Nickel Plated
- \* Shield: Copper Alloy, Nickel Plated
- \* O-Ring: Viton, Black.
- \* Jack: PBT, Black.
- \* Housing: Nylon+GF, Black.
- \* Panel Thickness Max: 5.0mm

<b>UNIT:mm</b>	
TOLERANCE	$\pm 0.5\text{mm}$

TITLE ADAPTOR, SHIELDED M12 D CODE TO RJ45			
SCALE 1:1	SIZE A4	SHEET 1 OF 2	
REV. B	WC-REV. A.3	(QC): Inspection item	

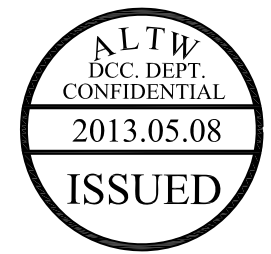
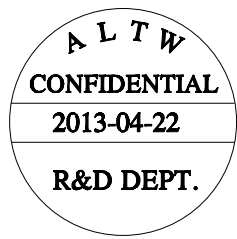
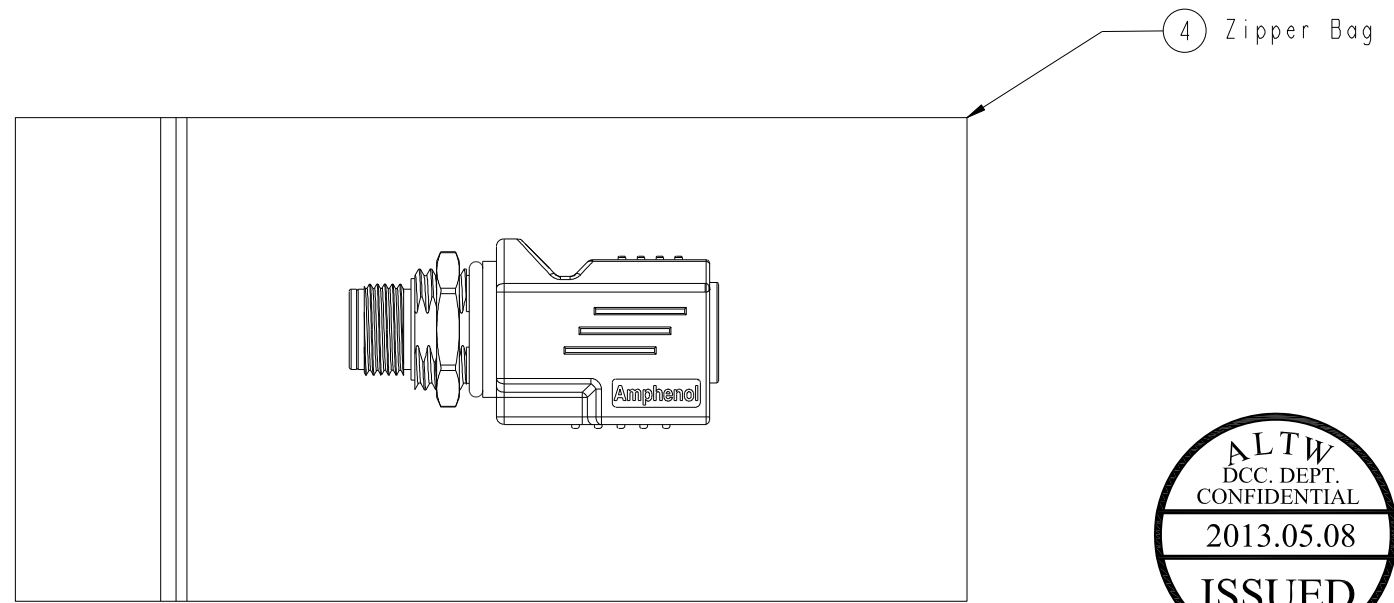
**Amphenol LTW**  
安費諾亮泰企業股份有限公司

ITEM NO RJS-12D04FM-LS8001	DRAWN BY Di_lu	DATE 2013-04-22
DWG NO RJS-12D04FM-LS8001	CHECKED BY Mafei	DATE 2013-04-22
CUSTOMER ALTW	APPROVED BY Victor	DATE 2013-04-22

THIS DOCUMENT IS SUBJECT TO CHANGE WITHOUT NOTICE. IT IS CONFIDENTIAL AND A PROPERTY OF Amphenol LTW. DISCLOSURE TO THIRD PARTY HAS TO BE AUTHORIZED BY Amphenol LTW.

THIS DOCUMENT IS SUBJECT TO CHANGE WITHOUT NOTICE. IT IS CONFIDENTIAL AND A PROPERTY OF Amphenol LTW. DISCLOSURE TO THIRD PARTY HAS TO BE AUTHORIZED BY Amphenol LTW.

1	2	3	4	5	6	7	8
REV.	ECN NO.	DATE	SIGN	DESCRIPTION			



\* 1 Product With 1 Zipper Bag

A	<b>UNIT:mm</b>			TITLE ADAPTOR, SHIELDED M12 D CODE TO RJ45			<b>Amphenol LTW</b>		ITEM NO RJS-12D04FM-LS8001	DRAWN BY Di_lu	DATE 2013-04-22
	TOLERANCE $\pm 0.5\text{mm}$			SCALE 1:1	SIZE A4	SHEET 2 OF 2	<b>安費諾亮泰企業股份有限公司</b>		DWG NO RJS-12D04FM-LS8001	CHECKED BY Mafei	DATE 2013-04-22
				REV. B	WC-REV. A.3	QC: Inspection item			CUSTOMER ALTW	APPROVED BY Victor	DATE 2013-04-22
	1	2	3	4	5	6	7	8	FMW10702-01-02A1		