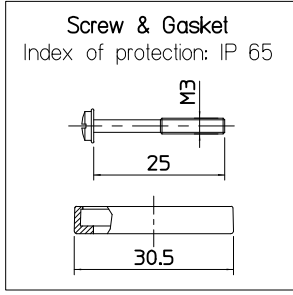
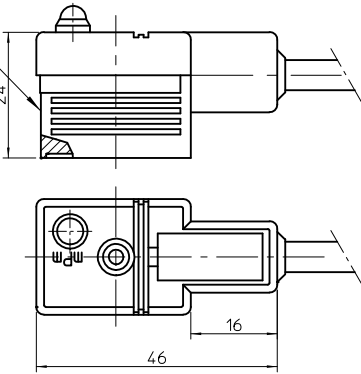


Table of length tolerances

Over	Up to and including	Tolerance (+)
0	305	+19
305	915	+45
915	1830	+56
1830	3660	+89
3660	7320	+165
7320	14640	+317
14640	30500	+610
30500	>	+2% of length



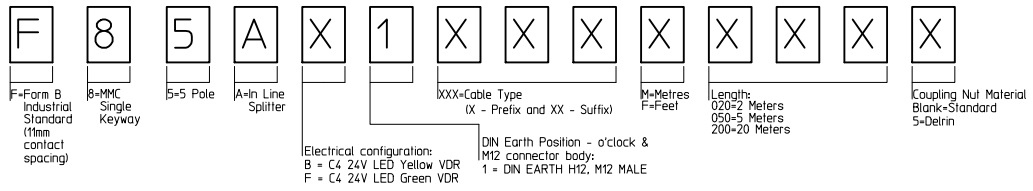
Electrical diagram printed in white



PN's List

Engineering number	Molex PN	Cable Length [mm]	Cable type
F85AB1112M040	1210360486	4000	CEI PVC Grey 0.5mm ²
F85AB1E12M0155	1210360535	1500	PVC Black 0.5mm ²
F85AB1P12M010	1210360549	1000	PUR Black 0.5mm ²
F85AB1E12M006	1210360619	600	PVC Black 0.5mm ²
F85AB1P12M006	1210360664	600	PUR Black 0.5mm ²
F85AF1E12M010	1210360536	1000	PVC Black 0.5mm ²

PART No MATRIX - PN KEY



PRE-RELEASE REFERENCE USE ONLY

Notes:
1. Dimensions without tolerance are referential.

ADDED PN
EC NO: DRWN:APAWLAK01 2015/06/22
CHKD:FGAIK 2015/06/22
APPR:

REV	DESCRIPTION	QUALITY SYMBOLS	GENERAL TOLERANCES (UNLESS SPECIFIED)		DIMENSION STYLE		SCALE	DESIGN UNITS	THIRD ANGLE PROJECTION	TITLE	DOCUMENT NO.	SHEET NO.
			mm	INCH	MM ONLY	-						
A1		▽=0 ▽=0	4 PLACES	± ---	± ---	DRAWN BY	DATE			F85AX1XXXXXX ILS - 2 X DIN-B H12 C4 M12 5P AC MA molex	SD-121036-010	1 OF 1
			3 PLACES	± ---	± ---	JMARSZALEK	2013/07/12					
			2 PLACES	± ---	± ---	CHECKED BY	DATE					
			1 PLACE	± ---	± ---	MSZWAJKOWSKI	2013/07/12					
			0 PLACE	± ---	± ---	APPROVED BY	DATE					
				± ---	± ---	MIWASIECZKO	2014/01/30					
				ANGULAR ± ---°		MATERIAL NO.						
				DRAFT WHERE APPLICABLE MUST REMAIN WITHIN DIMENSIONS		SIZE						
						A3						
						SEE PN KEY						