

SUMMARY



Wires

Low	14
High	0
Coax	0
Triax	0
Quad	0
Fiber	0
Fluidic	0

Download

[Request a quote](#)

[Catalog](#)

Series

Termination type	Male crimp
IP rating	68
Cable Ø	7.60 - 8.00 mm
Matching parts	EGG.3K.314.CYM

TECHNICAL DETAILS

Mechanics

Shell Style/Model	FG*: Straight plug, cable collet
Keying	1 key (alpha=0, plug: male contacts, receptacle: female contacts)
Housing Material	Brass (chrome plated) shell and collet nut, nickel plated brass latch sleeve and mid pieces
Cable Fixing	∅ 7.6 - 8 mm
Variant	

Performance

Configuration	3K.314 : 14 Low Voltage
Insulator	Y: PEEK for crimp contacts
Rated Current	9 Amps

Specifications

Contact Type: Crimp
Max. Matings: 5000
Contact Retention: 30 N
Contact Dia.: 0.9 mm (0.035in)
Bucket Dia.: 1.1 mm (0.043in)
Min. Conductor: 0.25 mm ² (AWG 24)
Max. Conductor: 0.5 mm ² (AWG 20)
R (max): 4.8 mOhm

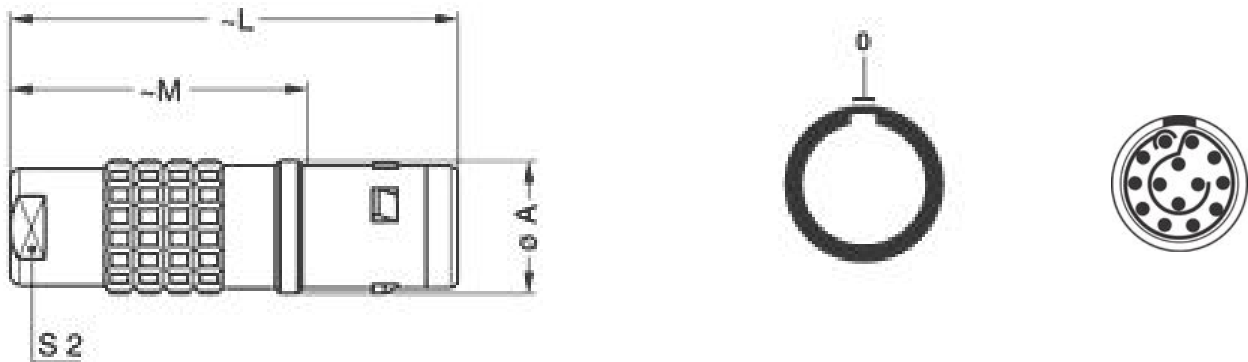
Vtest (contact-shell): 1650 V (AC), 2350 V (DC)
Vtest (contact-contact): 1800 V (AC), 2550 V (DC)

Others

Humidity (max): $\leq 95\%$ [at 60 deg C / 140 F]
Vibration: 15 g [10 Hz - 2000 Hz]
Shock Resistance: 100 g [6 ms]
Salt Spray Corrosion: >1000 hr
Climatical Category: 50/175/21
Shielding (min): 95 dB (10 MHz)
Shielding (min): 80 dB (1 GHz)
IP Rating: 68

DRAWINGS

Draws



Dimensions

	A	L	M	S2
mm.	19	61	41	15
in.	0,75	2,40	1,61	0,59

RECOMMENDED BY LEMO

Tools

Crimp Tool: DPC.91.701.V
Crimp settings: AWG/Selector = 20-22-24/6-5-5
Positionner: DCE.91.093.BVC
Extractor: DCF.91.093.5LT
Replacement contact: FGG.3B.560.ZZC
Spanner wrench: MTZ.3E.265.150

Cables

314 250	PVC	Grey	
---------	-----	------	--