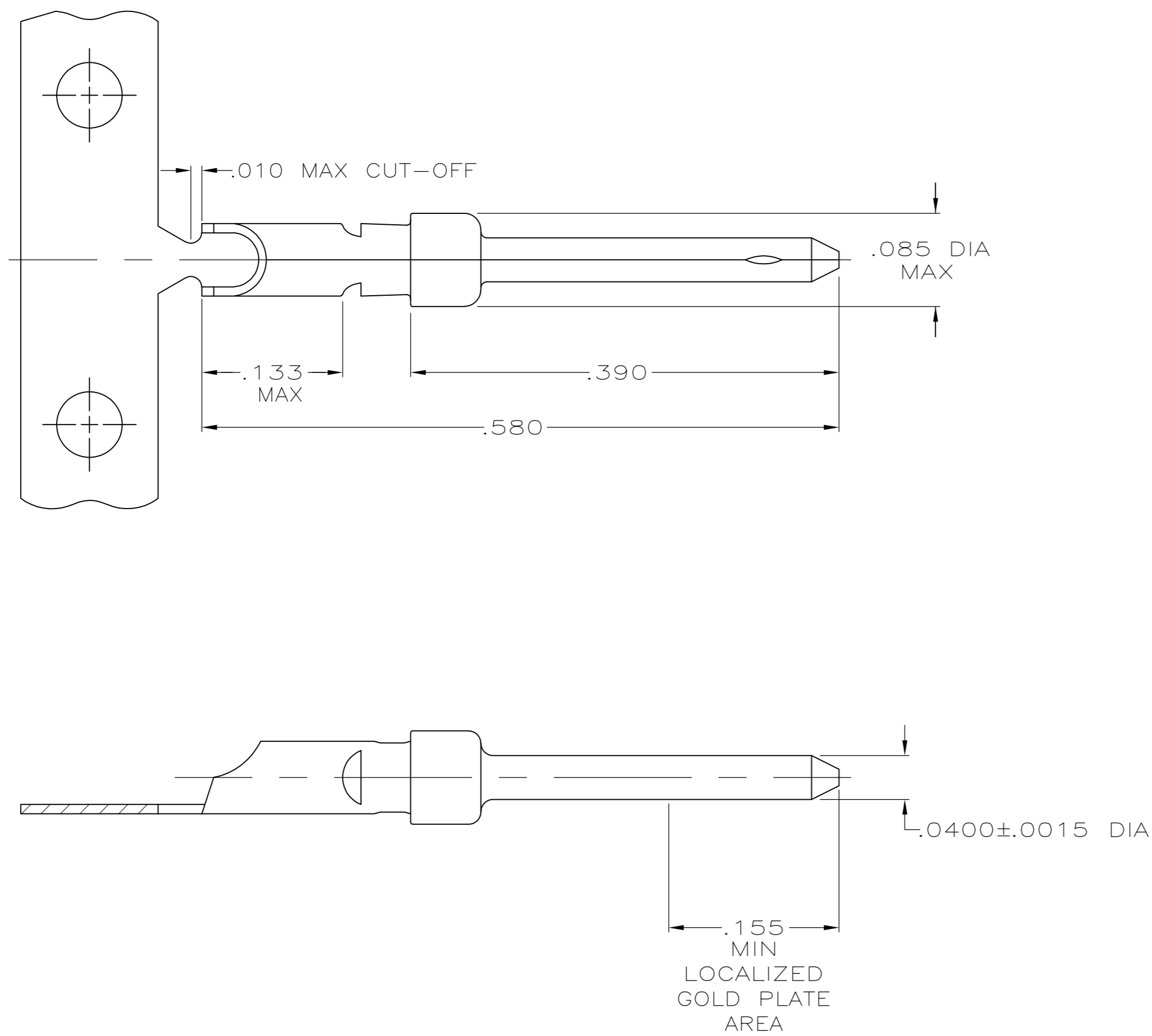


THIS DRAWING IS UNPUBLISHED. RELEASED FOR PUBLICATION
 © COPYRIGHT - By - ALL RIGHTS RESERVED.

LOC	DIST	REVISIONS					
GP	00	P	LTR	DESCRIPTION	DATE	DWN	APVD
		R1		REVISED PER ECO-11-004835	11MAR11	RK	HMR



1. GOLD PLATING MAY NOT APPEAR ON CARRIER STRIP.
2. GOLD PLATING PER MIL-G-45204.
NICKEL PLATING PER QQ-N-290.
TIN PLATING PER MIL-T-10727.
3. GOLD PLATED IN LOCALIZED GOLD PLATE AREA AS FOLLOWS:
.000030 MIN GOLD IN MATED AREA, GOLD FLASH ON REMAINDER OF CONTACT, ALL OVER .000050 MIN NICKEL UNDERPLATE.
OR
GOLD FLASH OVER PALLADIUM-NICKEL PLATE, .000030 MIN TOTAL IN MATED AREA, GOLD FLASH ON REMAINDER OF CONTACT, ALL OVER .000050 MIN NICKEL UNDERPLATE.
4. GOLD PLATED IN LOCALIZED GOLD PLATED AREA, GOLD FLASH IN MATED AREA, TIN PLATED WIRE BARREL, OVER .000030 NICKEL.
5. GOLD PLATED IN LOCALIZED GOLD PLATED AREA, .000030 GOLD IN MATED AREA, TIN PLATED WIRE BARREL, OVER .000030 NICKEL.
6. .046 MAX DIA CONDUCTOR (UP TO 18 AWG).

	SMALL PACK	3	LOOSE PIECE	66570-8
OBSOLETE	STANDARD	5	STRIP	66570-6
OBSOLETE	STANDARD	4	STRIP	66570-4
	STANDARD	3	LOOSE PIECE	66570-3
	STANDARD	3	STRIP	66570-2
	PACKAGING TYPE	FINISH	TYPE	PART NUMBER

THIS DRAWING IS A CONTROLLED DOCUMENT.		DWN	S.WELDON	9-9-86	STE TE Connectivity				
DIMENSIONS: INCHES		CHK	C.RICHARD	9-9-86					
TOLERANCES UNLESS OTHERWISE SPECIFIED:		APVD	-	-	PIN CONTACT, SIZE 20 DF, WITH SOLDER CUP, AMPLIMITE				
0 PLC ± -		PRODUCT SPEC	-	-					
1 PLC ± -		APPLICATION SPEC	-	-	SIZE	CAGE CODE	DRAWING NO	RESTRICTED TO	
2 PLC ± -		WEIGHT	-	-	A2	00779	C=66570	-	
3 PLC ± .005		CUSTOMER DRAWING		SCALE	10:1	SHEET	1 of 1	REV	R1
4 PLC ± -									
ANGLES ± -									
FINISH									
MATERIAL									
BRASS PER MIL-C-50		SEE TABLE 2							