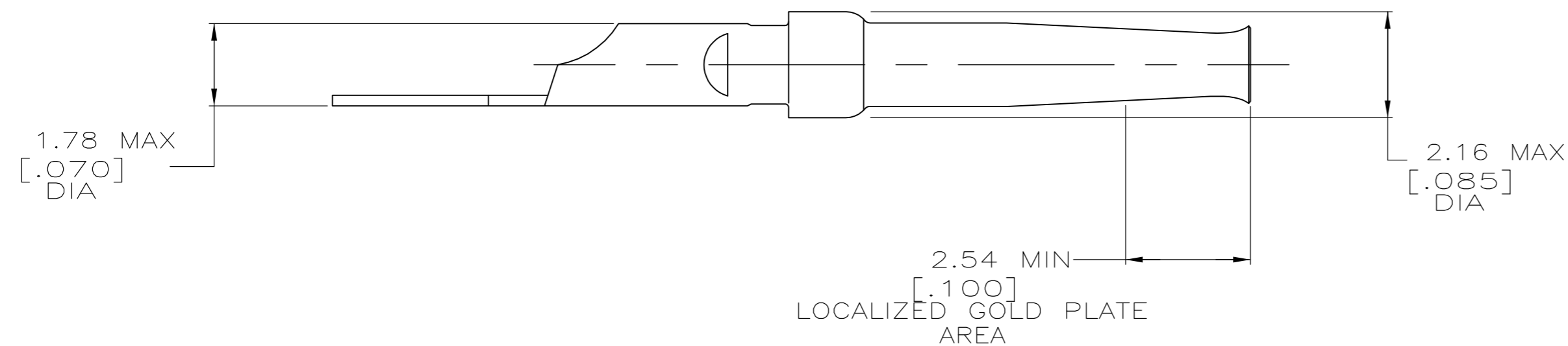
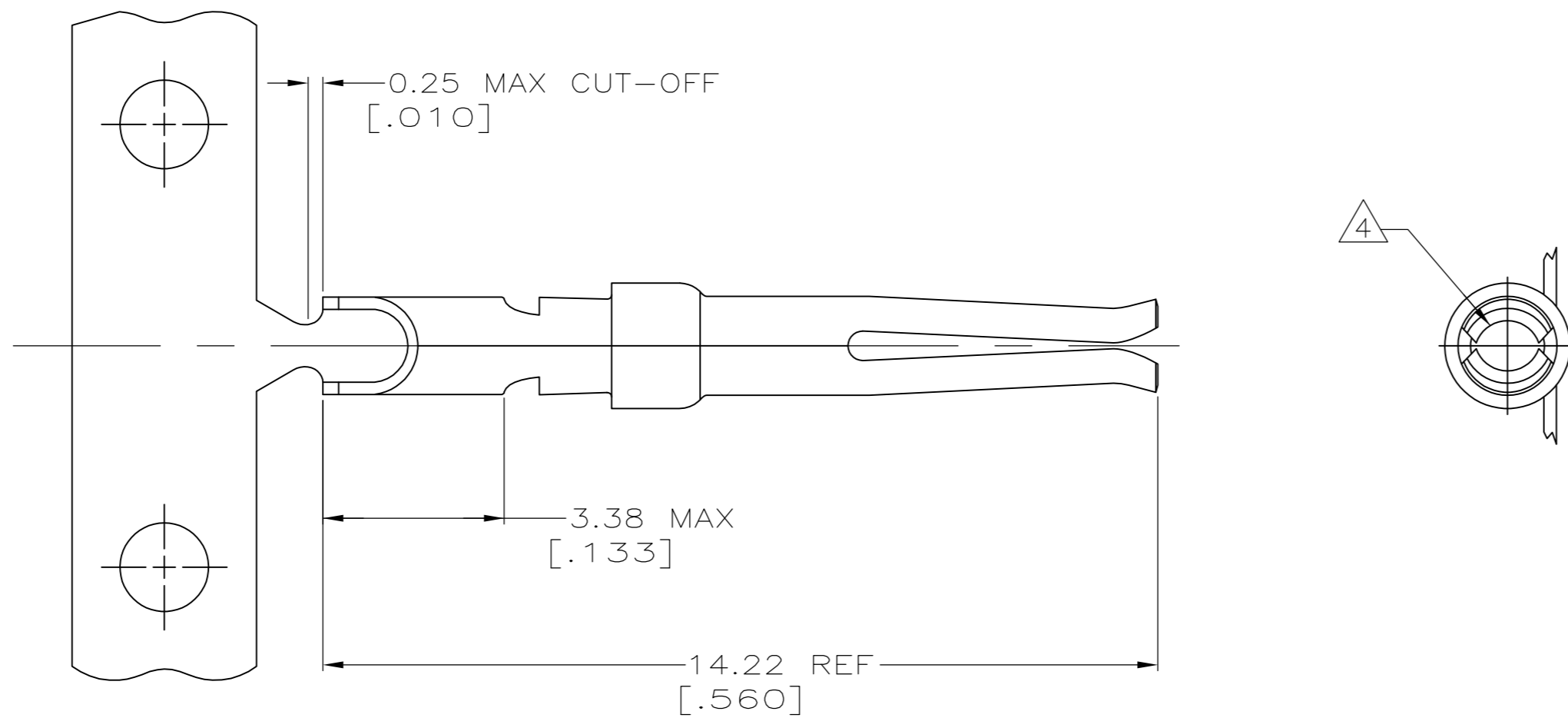


THIS DRAWING IS UNPUBLISHED. RELEASED FOR PUBLICATION
 © COPYRIGHT - By - ALL RIGHTS RESERVED.

LOC	DIST	REVISIONS			
P	LTR	DESCRIPTION	DATE	DWN	APVD
GP	00	H1	REVISED PER ECO-11-004835	11MAR11	RK HMR



- ① PHOSPHOR BRONZE PER QQ-B-750.
- ② GOLD PLATED IN LOCALIZED GOLD PLATE AREA AS FOLLOWS:
 PLATED WITH 0.76μm [.000030] GOLD IN LOCALIZED GOLD PLATE AREA, GOLD FLASH ON REMAINDER, OVER 1.27μm [.000050] MIN NICKEL.
 OR
 GOLD FLASH OVER PALLADIUM-NICKEL PLATE, 0.76μm [.000030] MIN TOTAL IN LOCALIZED GOLD PLATE AREA, GOLD FLASH ON REMAINDER, OVER 1.27μm [.000050] MIN NICKEL.
- ③ GOLD PLATING PER MIL-G-45204, NICKEL PLATING PER QQ-N-290.
- ④ WILL ACCEPT 1.02 [.040] DIA PIN.
- 5. 1.17 [.046] MAX DIA CONDUCTOR (UP TO 18 AWG).

PACKAGING	TYPE	PART NUMBER
SMALL PACK	LOOSE PIECE	1-66569-0
STANDARD	LOOSE PIECE	66569-3
-	STRIP	66569-2

THIS DRAWING IS A CONTROLLED DOCUMENT.		DWN D.HARDY 08 NOV 95	STE TE Connectivity	
DIMENSIONS: mm [INCHES]		CHK R.STONE 14 NOV 95		
TOLERANCES UNLESS OTHERWISE SPECIFIED:		APVD C.STINSON 06 DEC 95	NAME SOCKET CONTACT, SIZE 20 DF, WITH SOLDER CUP, AMPLIMITE	
0 PLC ± - 1 PLC ± - 2 PLC ± - 3 PLC ± - 4 PLC ± - ANGLES ± -		PRODUCT SPEC -	SIZE A2	
MATERIAL ①		APPLICATION SPEC -	CAGE CODE 00779	DRAWING NO C-66569
FINISH ② ③		WEIGHT -	SCALE 10:1	SHEET 1 OF 1
CUSTOMER DRAWING			RESTRICTED TO -	REV H1

66569