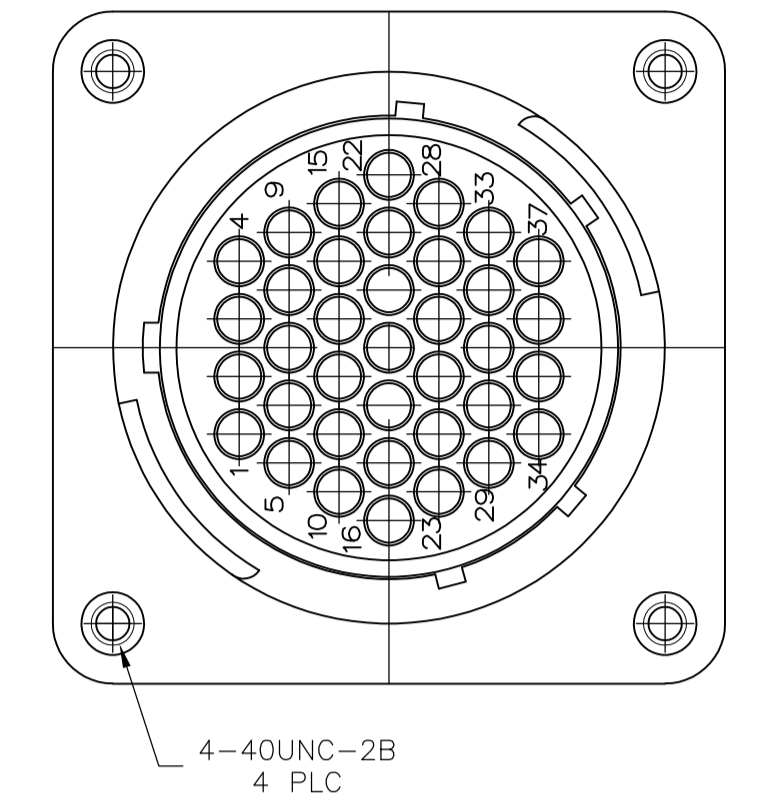
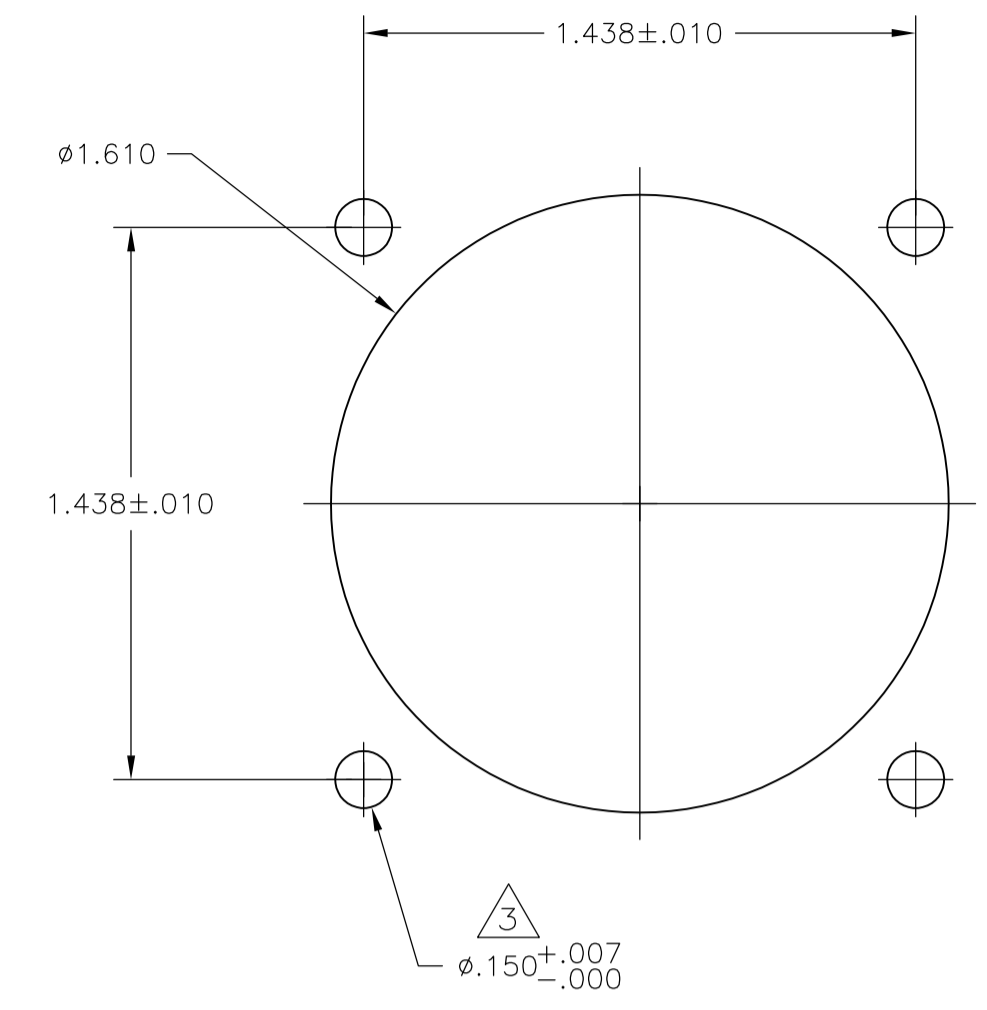
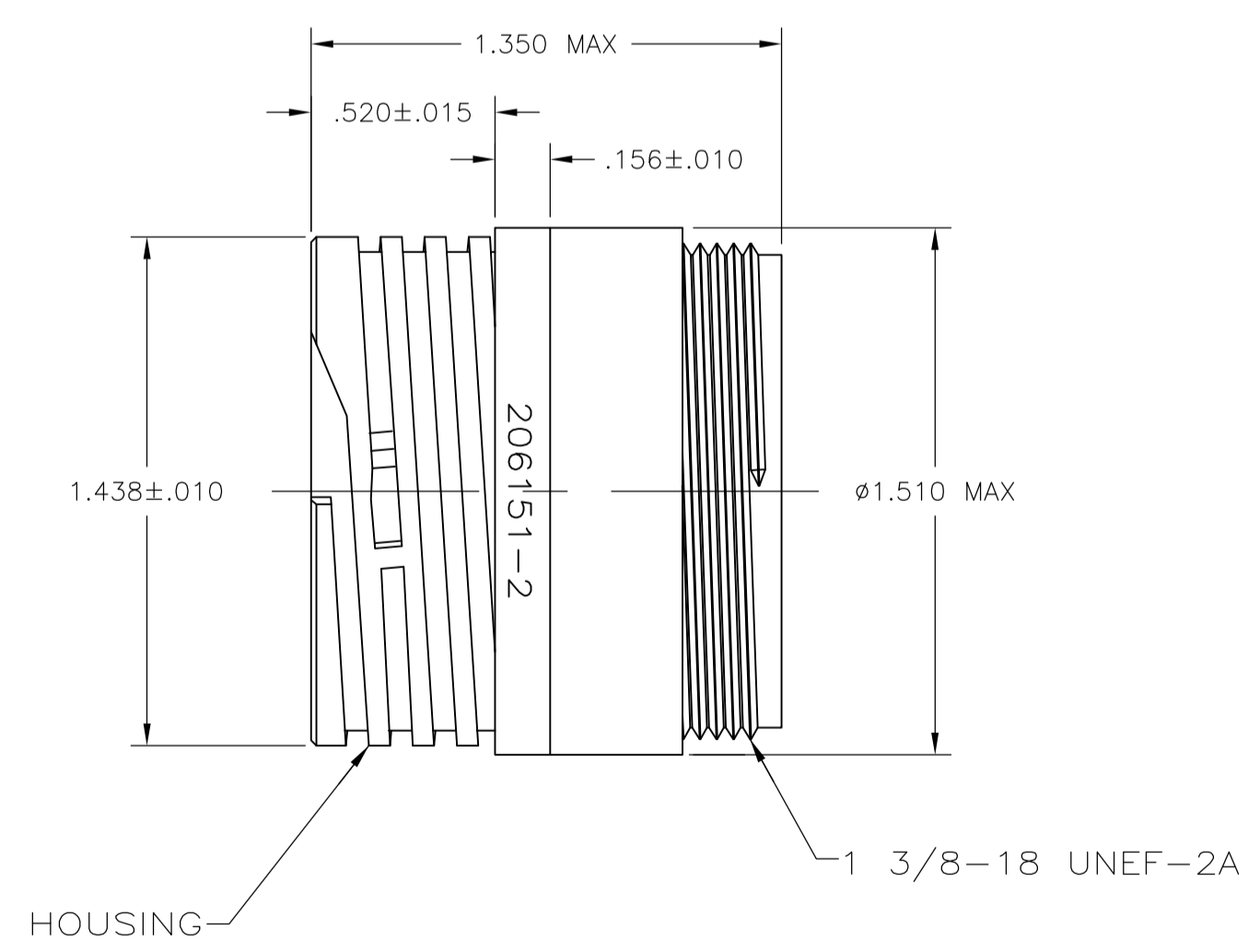
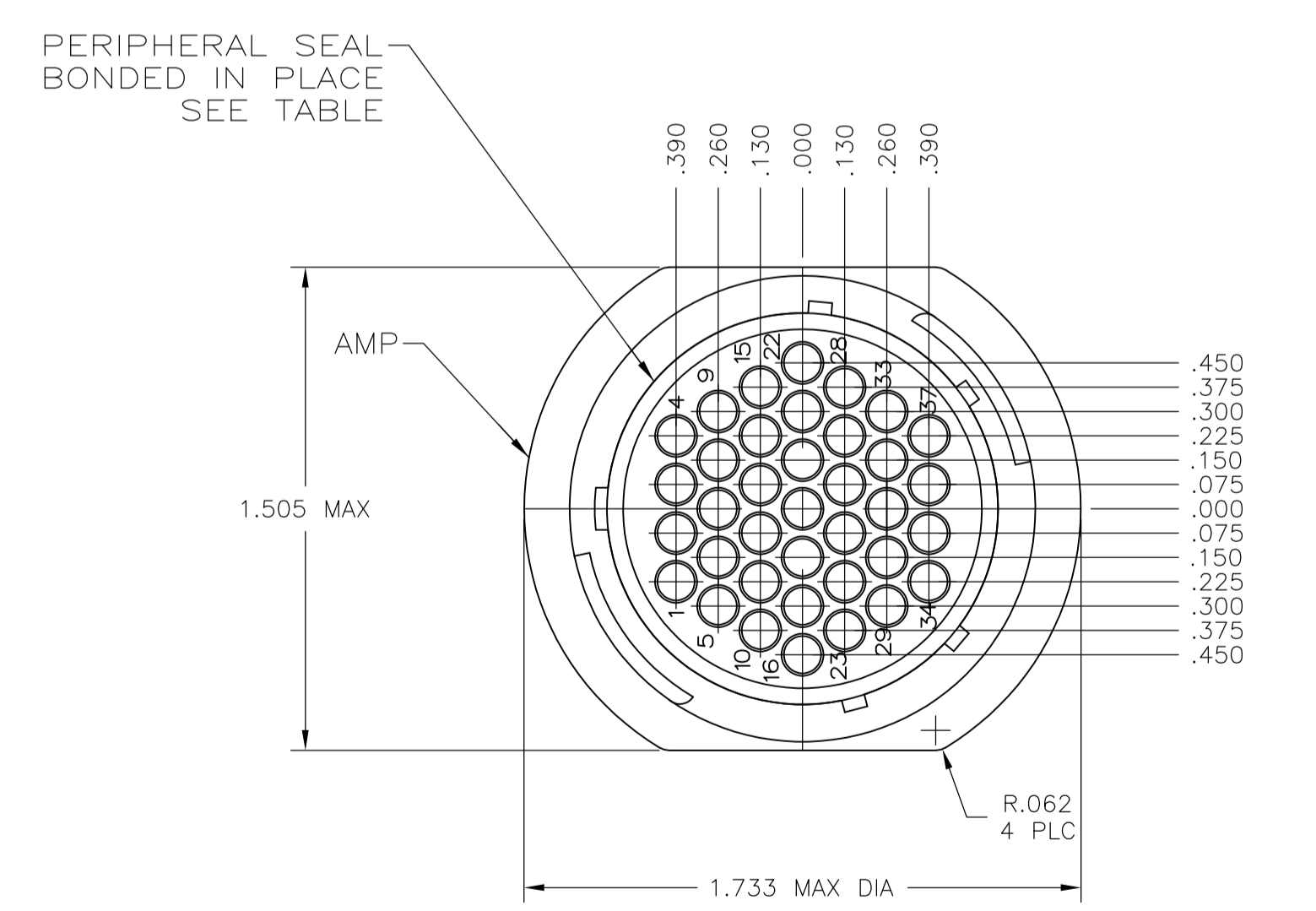


DETAIL A



DETAIL C  
206151-6 ONLY



DETAIL B

1. CAVITY IDENTIFICATION ON FRONT AND REAR FACE.
2. WILL ACCEPT THIRTY-SEVEN (37) MULTIMATE PIN CONTACTS.
3. NO 4 FASTENER RECOMMENDED FOR MOUNTING.
4. WHITE DOT NEAR POSITION 1 ON WIRE ENTRY FACE.
5. OBSOLETE PARTS: OBSOLETE CIS STREAMLINING PER D.RENAUD/D.SINISI

PRELIMINARY	STANDARD	YES	A	206151-8
	STANDARD	NO	A & C	206151-6
OBSOLETE	SMALL PACK	NO	A	206151-5
	STANDARD	YES	B	206151-4
	STANDARD	YES	A	206151-3
	STANDARD	NO	B	206151-2
	STANDARD	NO	A	206151-1
	PACKAGING	PERIPHERAL SEAL	SEE DETAIL	PART NUMBER

THIS DRAWING IS A CONTROLLED DOCUMENT.

DIMENSIONS: INCHES	TOLERANCES UNLESS OTHERWISE SPECIFIED:	DIN S SCHLEGEL 08DEC2002	TE Connectivity
0 PLC ± -	1 PLC ± -	8/13/83	
2 PLC ± -	3 PLC ± .005	A FRANTUM 8/13/83	
4 PLC ± -	ANGLES ± -	R STONE	
MATERIAL: HOUSING: NYLON BLACK SEAL: ELASTOMER, GREY	FINISH: -	APVD: R STONE	NAME: RECEPTACLE HOUSING, STANDARD SEX, SHELL SIZE 23, CPC
		APPLICATION SPEC: -	SIZE: A1
		WEIGHT: -	CAGE CODE: 00779
			DRAWING NO: C=206151
		CUSTOMER DRAWING	RESTRICTED TO: -
		SCALE: 2:1	SHEET: 1 OF 1
			REV: L3