

Circular Connectors C 16-3 Female receptacle size 2; with mounted gasket, No. of contacts 12 + PE, 300 V

Part No. C016 10G012 000 2



View represents all available contact positions.

Series Circular Connectors C 16-3

Subseries Circular Connector C 16-3

| COMMON CHARACTERISTICS         |  |                             |
|--------------------------------|--|-----------------------------|
| No. of contacts                |  | 12 + PE                     |
| Version                        |  | size 2; with mounted gasket |
| ELECTRICAL CHARACTERISTICS     |  |                             |
| Rated voltage                  | DIN EN 60664-1 / IEC 60664-1                           | 3 x 500 V<br>9 x 300 V      |
| Rated voltage                  | UL 1977  | 3V                          |
| Rated impulse voltage          | DIN EN 60664-1 / IEC 60664-1                           | 3 x 6000 V<br>9 x 4000 V    |
| Installation category          | DIN EN 60664-1 / IEC 60664-1                           | III                         |
| Insulation group               | DIN EN 60664-1 / IEC 60664-1                           | II                          |
| Insulation resistance          | DIN EN 60512-2, Test 3a / IEC 60512-2, Test 3a         | ≥ 10 <sup>8</sup>           |
| Contact resistance             | DIN EN 60512-2, Test 2a / IEC 60512-2 Test 2a          | ≤ 5 m                       |
| Current carrying capacity      | DIN EN 60512-3, Test 5b / IEC 60512-2 Test 5b          | 3 x 21 A<br>9 x 11 A        |
| Pollution degree               | DIN EN 60664-1 / IEC 60664-1                           | 3                           |
| CLIMATICAL CHARACTERISTICS     |  |                             |
| Climatic category              | DIN EN 60068-1 / IEC 60068-1                           | 40 / 125 / 56               |
| Operating temperature          |  | -40°C ... +125°C            |
| MECHANICAL CHARACTERISTICS     |  |                             |
| IP degree of protection        | DIN EN 60529 / IEC 60529                               | IP 65                       |
| Insertion and withdrawal force | DIN EN 60512-13-2, Test 13b / IEC 60512-13-2, Test 13b | ≤ 25 N                      |
| Mechanical lifetime            | DIN EN 60512-9-1, Test 9a                              | ≥ 500 Steckzyklen           |
| MATERIALS                      |  |                             |
| Contact plating                |  | silver plated / gold plated |
| Housing                        |  | Polyamid 6.6                |
| Gasket                         |  | Neoprene                    |
| Dielectric material            |  | Polyamid 6.6                |
| FURTHER CHARACTERISTICS        |  |                             |
| Termination                    |  | crimp                       |
| Wire gauge                     |  | 0.09 - 2,5 mm <sup>2</sup>  |
| Wire gauge (AWG)               |  | 28 - 14                     |
| Flammability                   | UL 94  | V-0                         |
| Locking                        |  | Bayonet                     |



3964



E63093



48932

Circular Connectors C 16-3 Female receptacle size 2; with mounted gasket, No. of contacts 12 + PE, 300 V

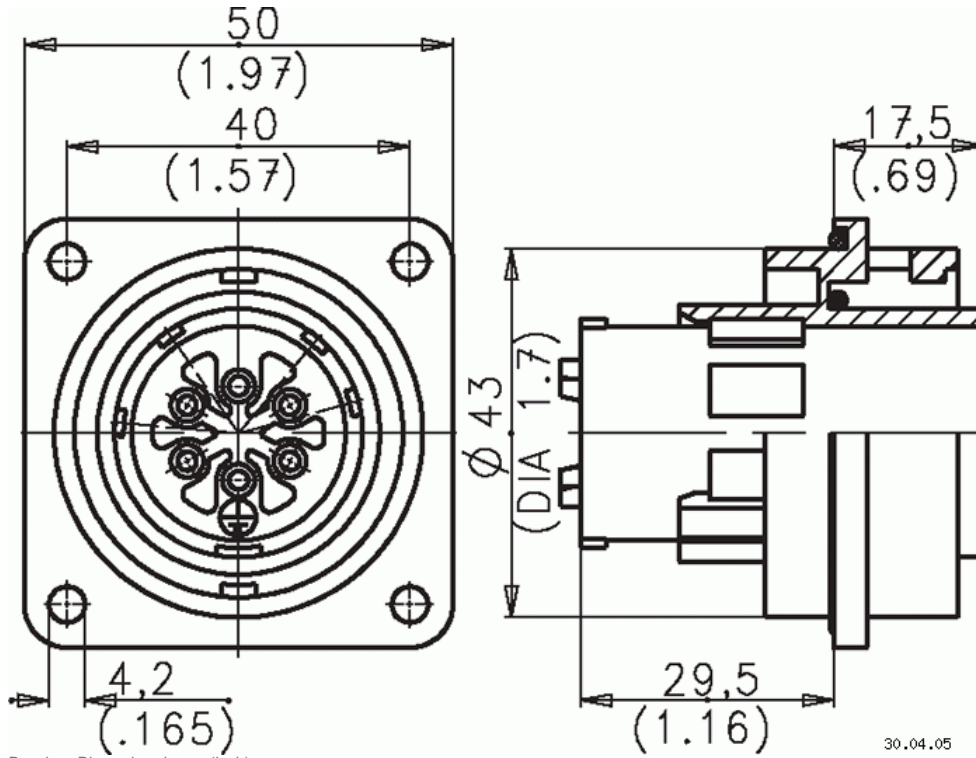
Part No. C016 10G012 000 2

Series Circular Connectors C 16-3

Subseries Circular Connector C 16-3



View represents all available contact positions.



Drawing Dimensions in mm (Inch)

30,04.05

Circular Connectors C 16-3 Female receptacle size 2; with mounted gasket, No. of contacts 12 + PE, 300 V

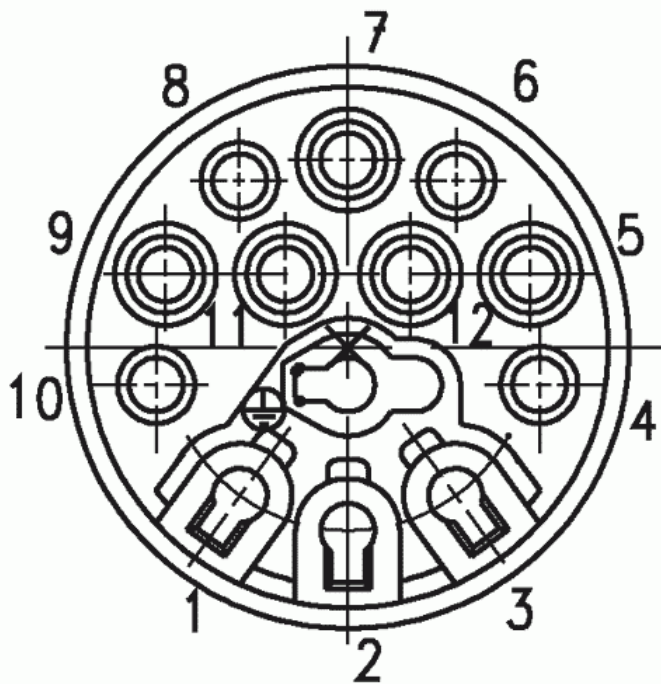
Part No. C016 10G012 000 2

Series Circular Connectors C 16-3

Subseries Circular Connector C 16-3



View represents all available contact positions.



30.04.05

Contact arrangement