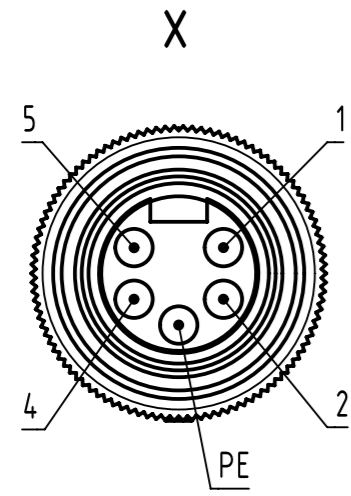


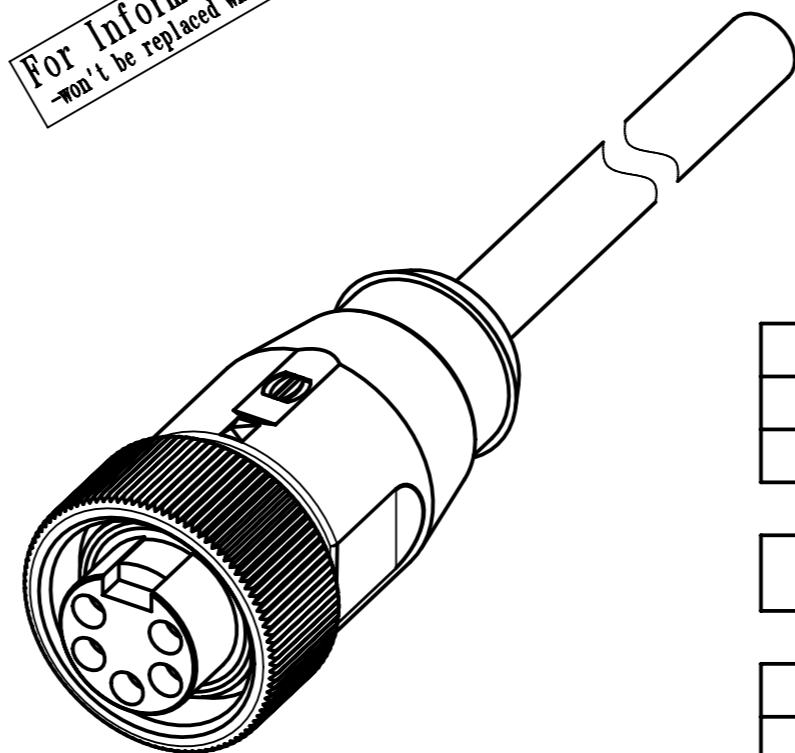
7/8" 4+PE poles, female straight connector



Loading-Plan:

1	black
2	blue
PE	green-yellow
4	brown
5	white

*For Information Only
won't be replaced when changed*



- Protection level: IP67
- Temperature range: -25°C ... +80°C

length in "1m" step	100	XXX=000
	99	XXX=990
	.	.
	12	XXX=120
	11	XXX=110
length in "0.1m" step	10	XXX=100
	9.9	XXX=099
	9.8	XXX=098
	.	.
	0.4	XXX=004
	0.3	XXX=003
	0.2	XXX=002
	0.1	XXX=001
Step	a [m]	XXX

4.0 to 100	+1%
0.1 to 3.9	+0.04
a [m]	Tolerance

Part no.	213497005XXXXXX
----------	-----------------

Type of cable	XX
PVC grey, 5x1.5mm ²	XX=97
PUR black, 5x1.5mm ²	XX=98

All rights reserved Department EC PD - RO HARTING Electronics GmbH D-32339 Espelkamp	All Dimensions in mm Original Size DIN A3	Scale 1.5:1 Free size tol.	Ref. Sub.
	Created by TAMAS Inspected by Standardisation Date 2014-06-16 State Checked Out	Title 7/8 Cable Assembly Type TB Number 213497005XXXXX	Doc-Key / ECM-Nr. 100580950/UGD/009/A Rev. A Page 1/1