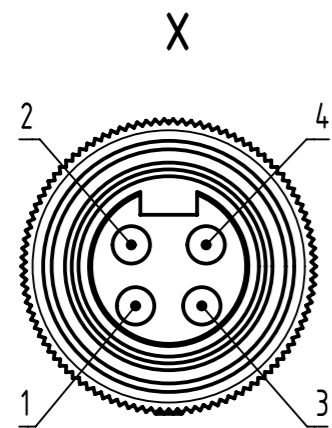


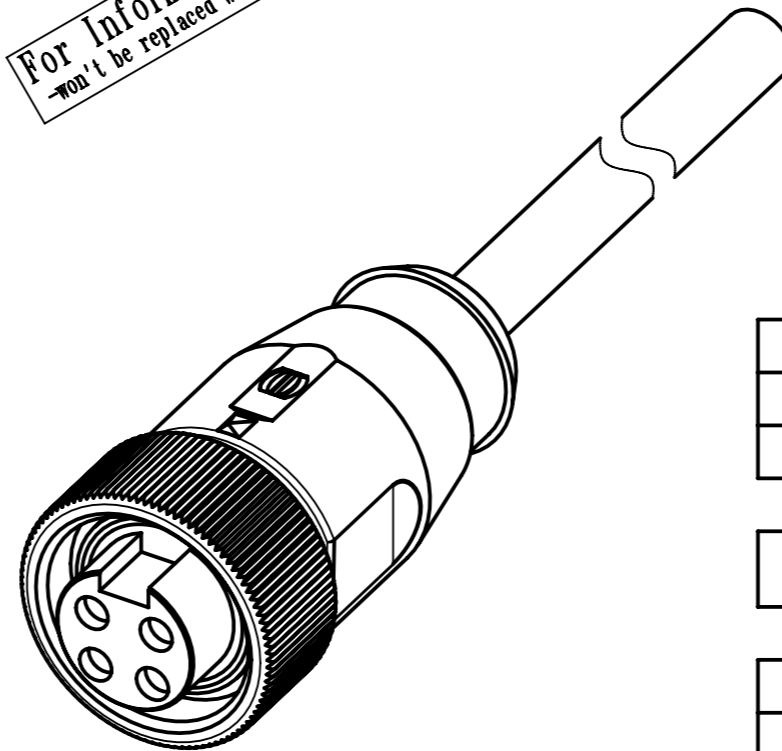
7/8" 4-poles, female straight connector



Loading-Plan:

- 1 — brown
- 2 — white
- 3 — blue
- 4 — black

For Information Only
won't be replaced when changed



- Protection level: IP67
- Temperature range: -25°C ... +80°C

length in "1m" step	100	XXX=000
	99	XXX=990
	.	.
	12	XXX=120
	11	XXX=110
length in "0.1m" step	10	XXX=100
	9.9	XXX=099
	9.8	XXX=098
	.	.
	0.4	XXX=004
	0.3	XXX=003
	0.2	XXX=002
	0.1	XXX=001
Step	a [m]	XXX

4.0 to 100	+1%
0.1 to 3.9	+0.04
a [m]	Tolerance

Part no.	213497004XXXXX
----------	----------------

Type of cable	XX
PVC grey, 4x1.5mm ²	XX=95
PUR black, 4x1.5mm ²	XX=96

	All rights reserved		Created by		Inspected by		Standardisation		Date		State	
	Department EC PD - RO		TAMAS						2014-06-16		Checked Out	
HARTING Electronics GmbH		Title				Doc-Key / ECM-Nr.		Rev.		Page		
D-32339 Espelkamp		7/8 Cable Assembly				100580920/UGD/009/A		A		1/1		
		Type		Number								
		TB		213497004XXXXX								