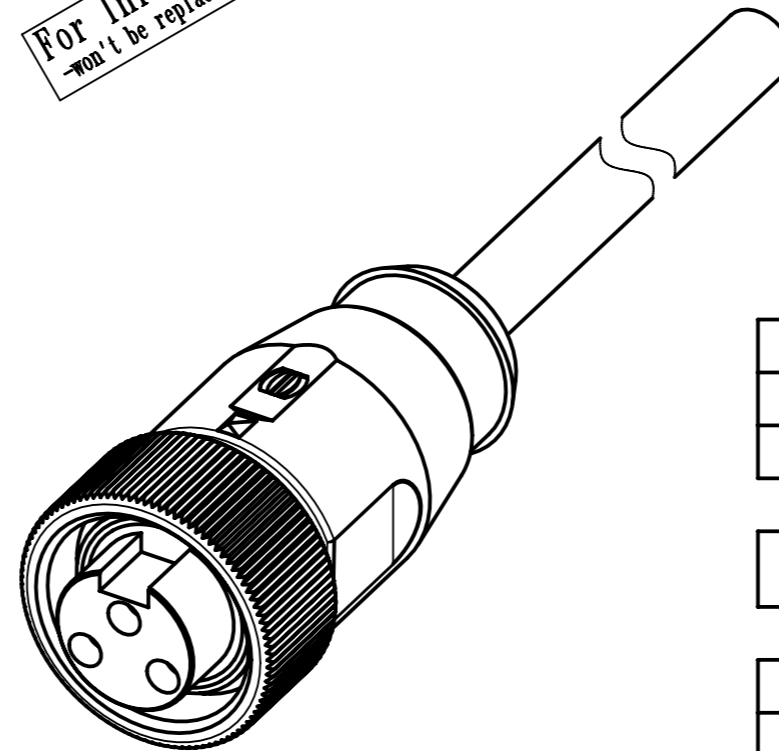


Loading-Plan:  
 PE green-yellow  
 1 brown  
 2 blue

*For Information Only  
 -won't be replaced when changed-*



- Protection level: IP67  
 - Temperature range: -30°C ... +80°C

length in "1m" step	100	XXX=000
	99	XXX=990
	.	.
	12	XXX=120
length in "0.1m" step	11	XXX=110
	10	XXX=100
	9.9	XXX=099
	9.8	XXX=098
	.	.
	0.4	XXX=004
	0.3	XXX=003
	0.2	XXX=002
	0.1	XXX=001
Step	a [m]	XXX

4.0 to 100	+1%
0.1 to 3.9	+0.04
a [m]	Tolerance

Part no.	213497003XXXXX
----------	----------------

Type of cable	XX
PVC grey, 3x1.5mm <sup>2</sup>	XX=93
PUR black, 3x1.5mm <sup>2</sup>	XX=94

All rights reserved Department EC PD - RO HARTING Electronics GmbH D-32339 Espelkamp	All Dimensions in mm Original Size DIN A3	Scale 1.5:1 Free size tol.	Ref. Sub.
	Created by TAMAS Inspected by Standardisation Date 2014-06-16 State Checked Out	Title 7/8 Cable Assembly Type TB Number 213497003XXXXX	Doc-Key / ECM-Nr. 100580904/UGD/009/A Rev. A Page 1/1