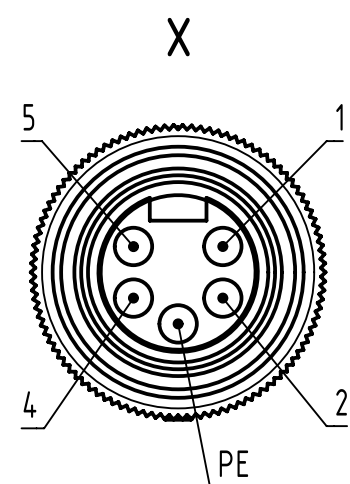
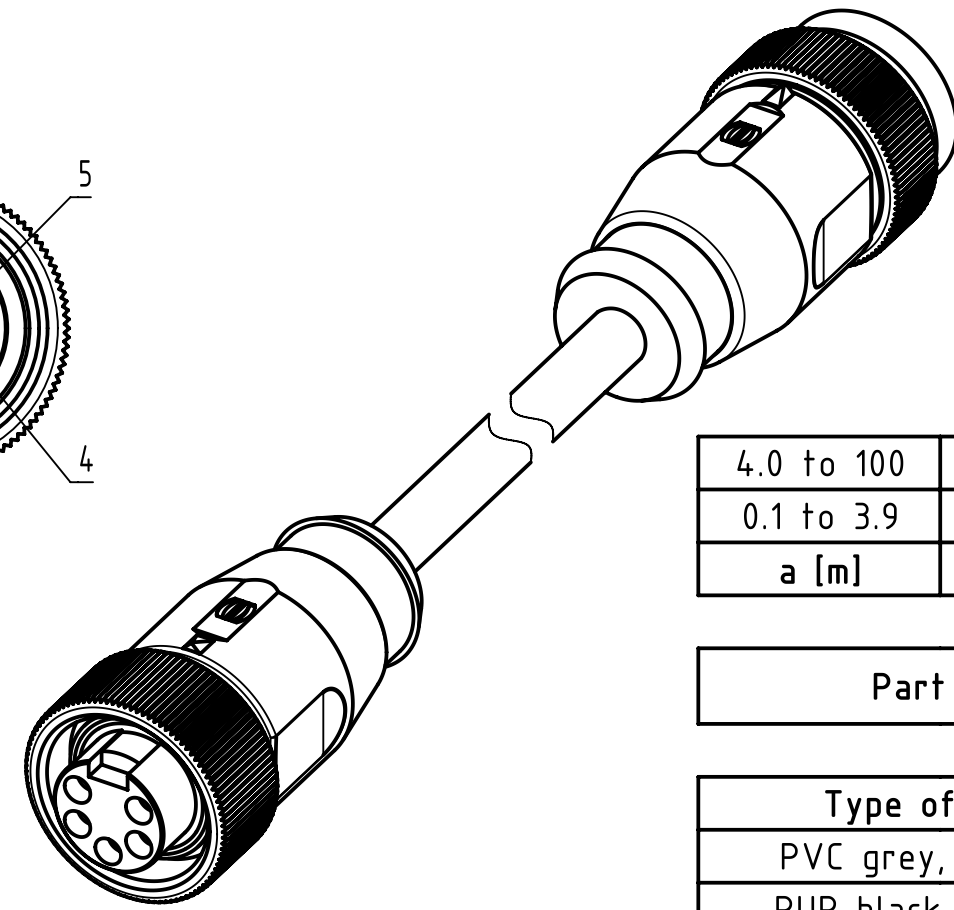
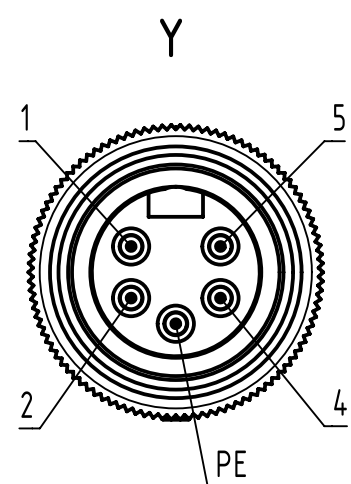


7/8" 4+PE poles, female straight connector

7/8" 4+PE poles, male straight connector



- Loading-Plan:
- 1 — black — 1
 - 2 — blue — 2
 - PE — green-yellow — PE
 - 4 — brown — 4
 - 5 — white — 5



- Protection level: IP67
 - Temperature range: -25°C ... +80°C

length in "1m" step	100	XXX=000
	99	XXX=990
	.	.
	12	XXX=120
	11	XXX=110
length in "0.1m" step	10	XXX=100
	9.9	XXX=099
	9.8	XXX=098
	.	.
	0.4	XXX=004
	0.3	XXX=003
	0.2	XXX=002
	0.1	XXX=001
Step	a [m]	XXX

4.0 to 100	+1%
0.1 to 3.9	+0.04
a [m]	Tolerance

Part no.	213496975XXXXXX
----------	-----------------

Type of cable	XX
PVC grey, 5x1.5mm ²	XX=97
PUR black, 5x1.5mm ²	XX=98

All rights reserved Department EC PD - RO HARTING Electronics GmbH D-32339 Espelkamp	All Dimensions in mm Original Size DIN A3	Scale 1.5:1 Free size tol.	Ref. Sub.
	Created by TAMAS Inspected by AVRAM Title 7/8 Cable Assembly Type TB	Standardisation HOFFMANN Date 2014-07-01 State Final Release Number 213496975XXXXX	Doc-Key / ECM-Nr. 100581036/UGD/009/A 50000076597 Rev. A Page 1/1