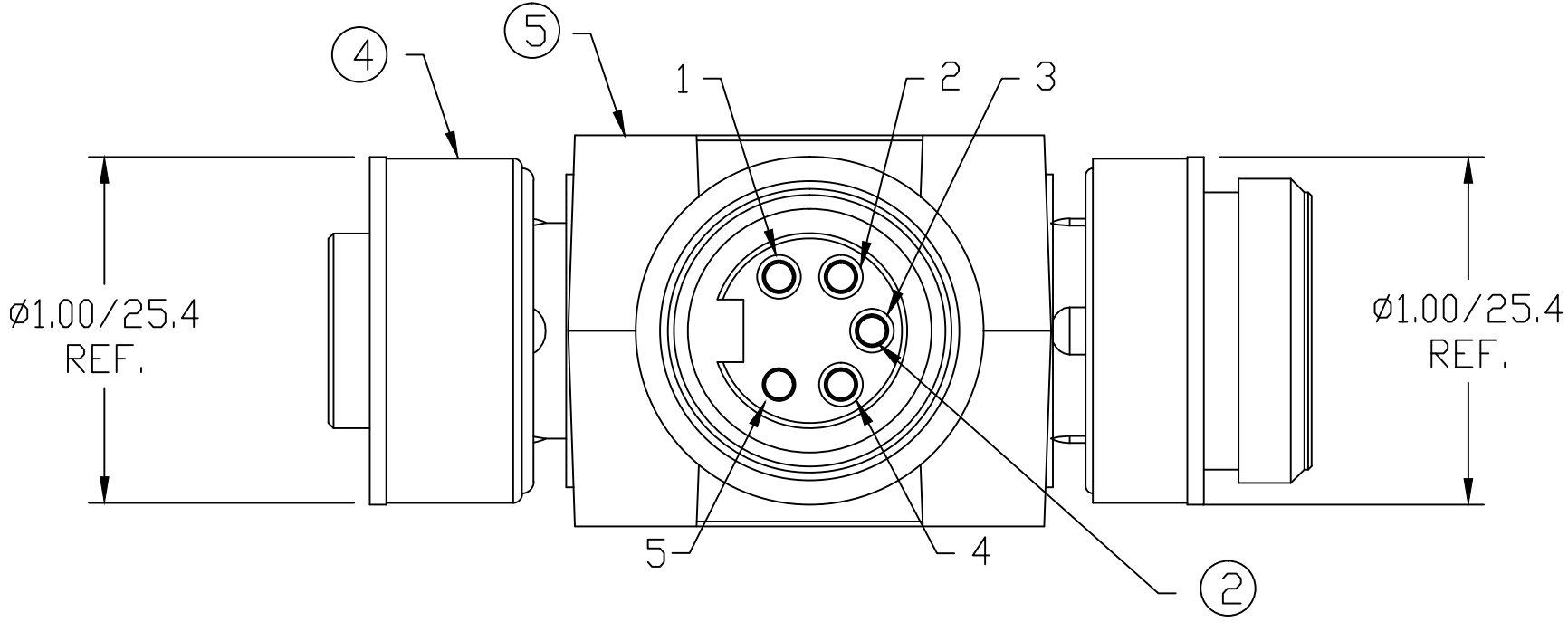
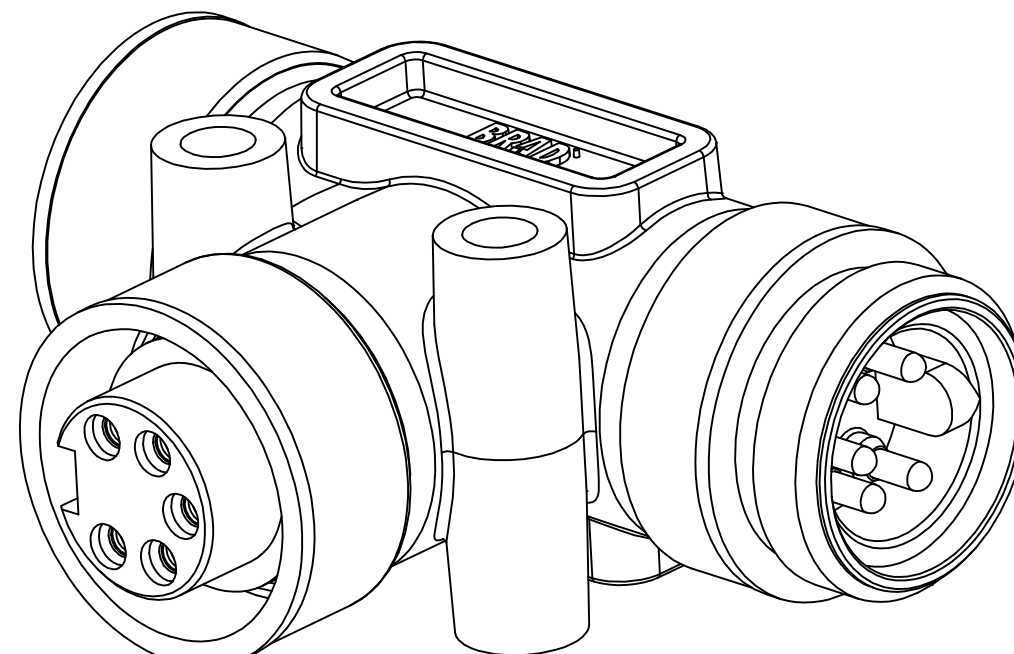
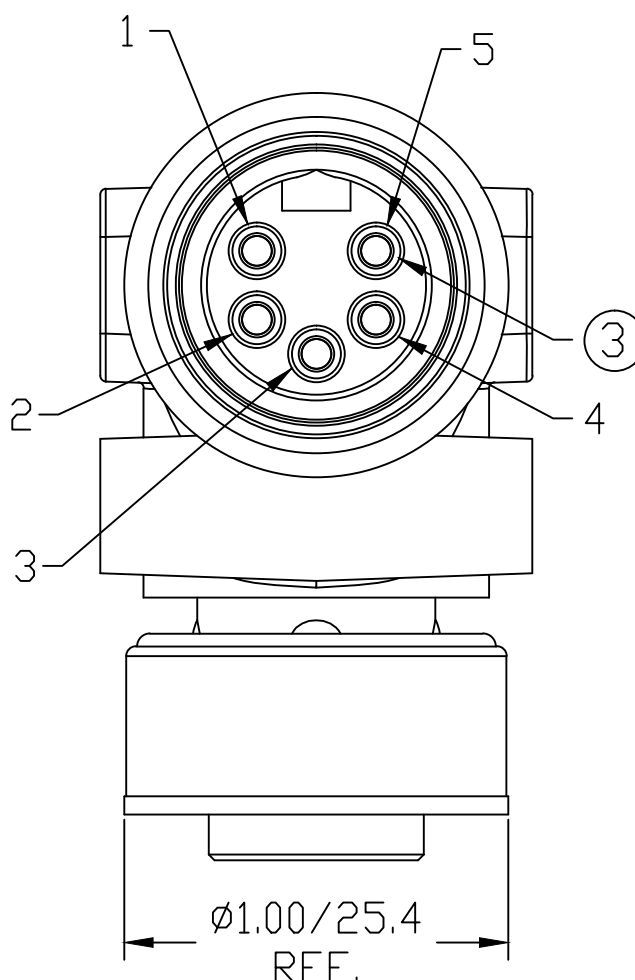
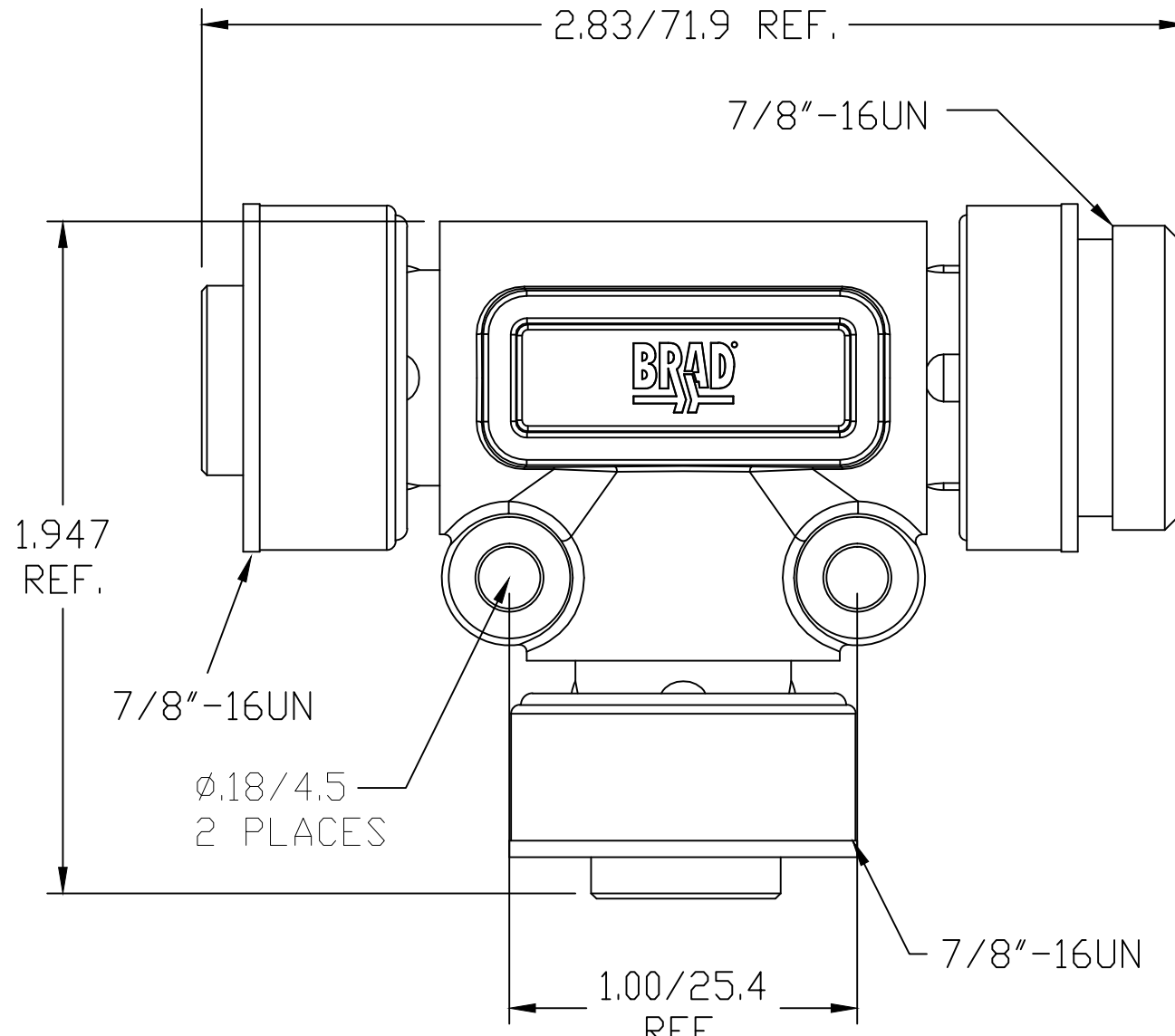
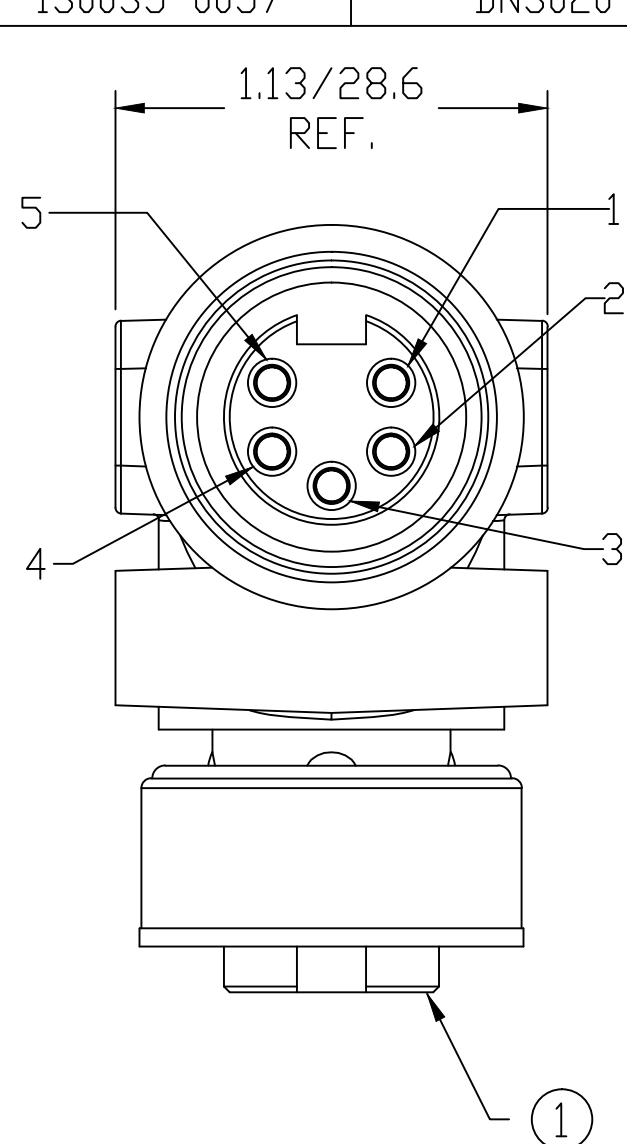


MATERIAL NUMBER

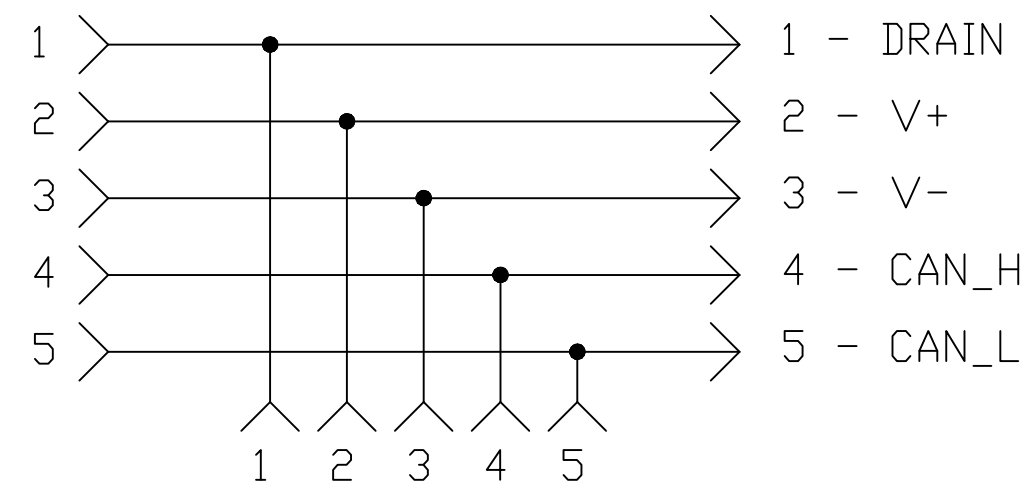
OLD PART NUMBER

130035-0057

DN3020



SCHEMATIC



VOLTAGE RATING	600 VAC/VDC
AMPERAGE RATING	8 AMPS
PROTECTION	IP67
OPERATING TEMPERATURE	-20°C TO 80°C
UL CERTIFICATIONS	UL RECOGNIZED, FILE NO. E152210
CSA CERTIFICATIONS	CSA CERTIFIED, FILE NO. LR6837

ITEM	COMPONENT	MATERIAL	FINISH
1	INSERT	TPE	GRAY
2	CONTACT SOCKET	COPPER ALLOY	GOLD OVER NICKEL
3	CONTACT PIN	COPPER ALLOY	GOLD OVER NICKEL
4	COUPLING NUT	ZINC DIE CAST	BLACK E-COATED
5	OVERMOLD	TPE	GRAY

RLSD DRAWING  
 EC NO.: IPG2013-2016  
 DRWN: BARDEN  
 CHKD: TWOLDEGE  
 APPR: BWOODMAN  
 6/24/13

QUALITY SYMBOL  
 ▽=0  
 ▽=0

GENERAL TOLERANCES (UNLESS SPECIFIED)

	mm	INCH
4 PLACES	±---	±---
3 PLACES	±---	±.005
2 PLACES	±0.13	±.010
1 PLACE	±0.25	±.020

ANGULAR ±1/2°  
 DRAFT WHERE APPLICABLE  
 MUST REMAIN WITHIN DIMENSIONS

DIMENSION STYLE IN/MM  
 DRAWN BY DATE  
 BW 2009/03/04  
 CHECKED BY DATE  
 JM 2009/03/04  
 APPROVED BY DATE  
 ----

SCALE NTS  
 DESIGN UNITS INCH  
 THIRD ANGLE PROJECTION  
 TITLE  
**MINI-CHANGE 5-POLE TEE DEVICENET**  
 MOLEX INCORPORATED  
 MATERIAL NO. 1300350057  
 DOCUMENT NO. SD-130035-002  
 SHEET NO. 1 OF 1  
 THIS DRAWING CONTAINS INFORMATION THAT IS PROPRIETARY TO MOLEX INCORPORATED AND SHOULD NOT BE USED WITHOUT WRITTEN PERMISSION