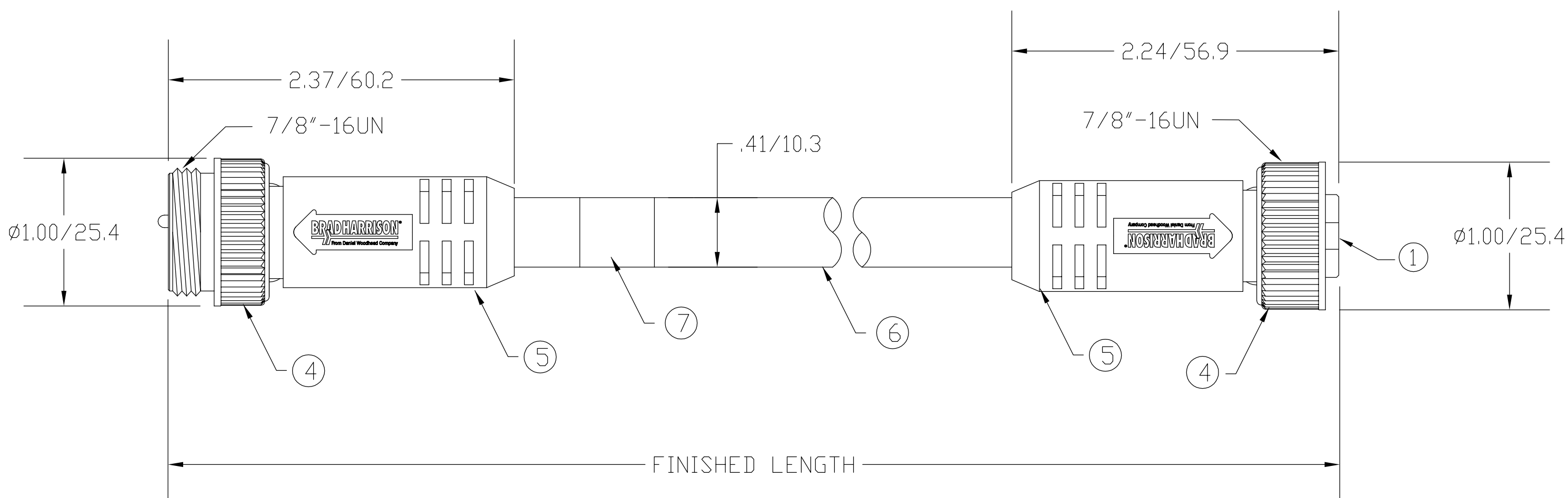
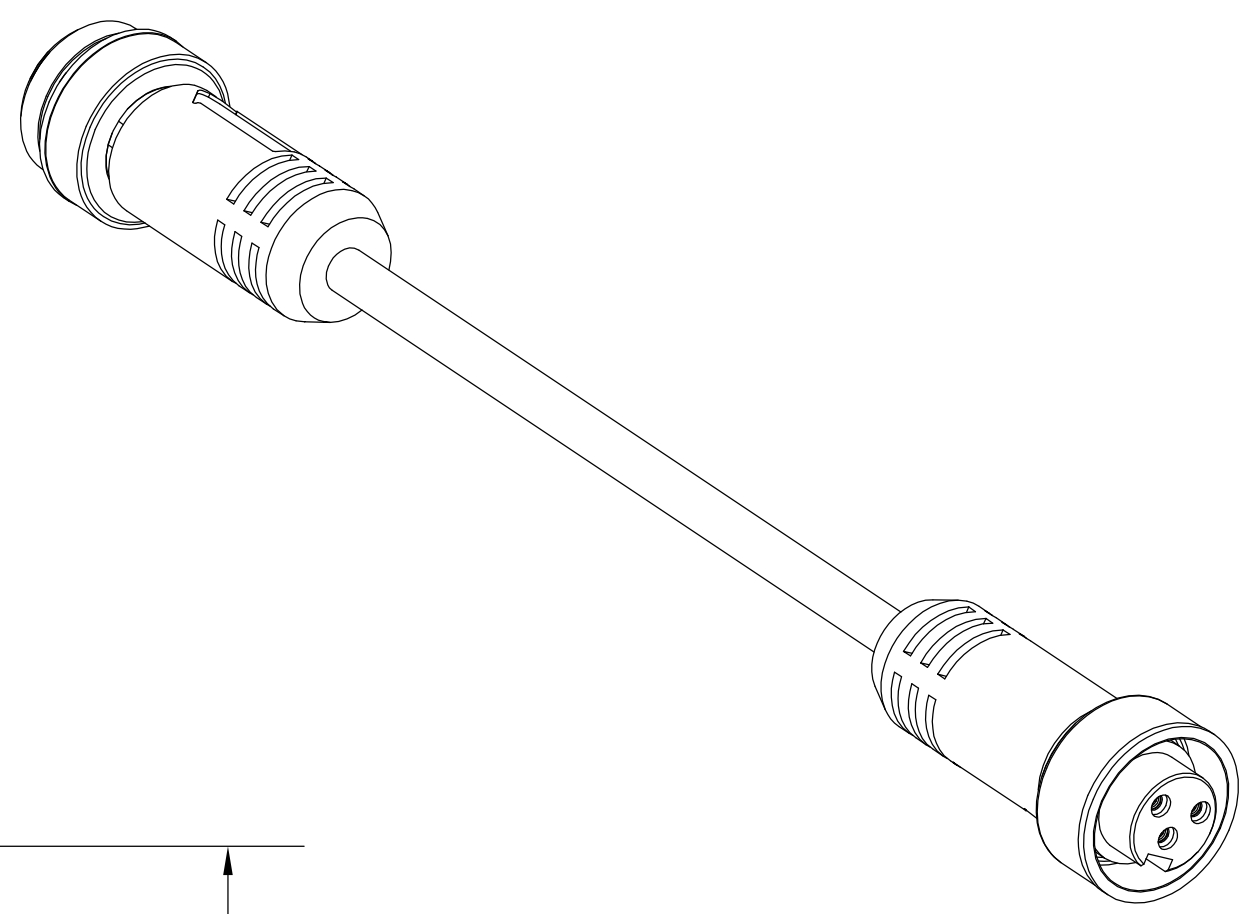
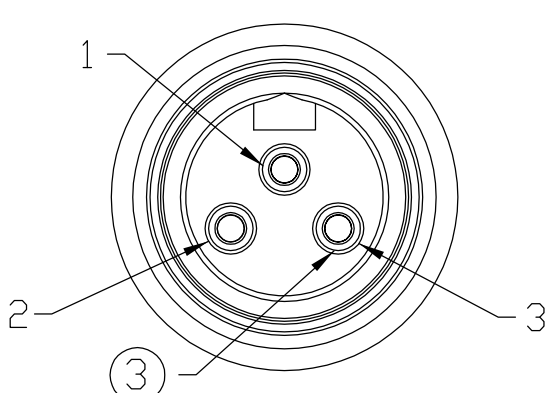


MATERIAL NUMBER	OLD PART NUMBER	FINISHED LENGTH
130010-0487	113030K13M010	3.28' +2.19" -0 [1.0M +55.6 -0]
130010-0488	113030K13M020	6.56' +3.50" -0 [2.0M +88.9 -0]
130010-0489	113030K13M030	9.84' +3.50" -0 [3.0M +88.9 -0]
130010-0490	113030K13M040	13.12' +6.50" -0 [4.0M +165.1 -0]
130010-0491	113030K13M050	16.40' +6.50" -0 [5.0M +165.1 -0]
130010-0492	113030K13M060	19.68' +6.50" -0 [6.0M +165.1 -0]
130010-5001	113030K13M100	32.80' +12.50" -0 [10.0M +317.5 -0]

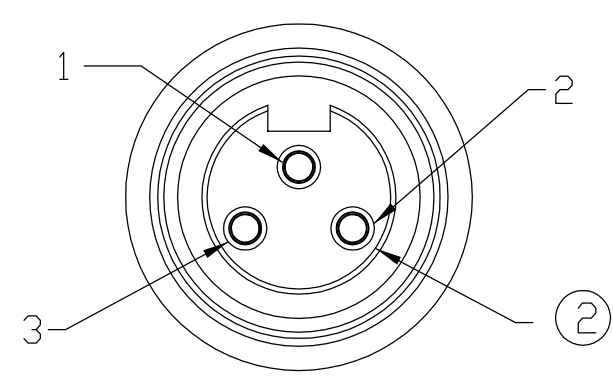


1	GREEN-YELLOW	1
2	BLACK	2
3	WHITE	3

WIRING DIAGRAM



MALE FACE VIEW



FEMALE FACE VIEW

ITEM	COMPONENT	MATERIAL	FINISH
1	INSERT	PVC	YELLOW
2	CONTACT SOCKET	COPPER ALLOY	GOLD OVER NICKEL
3	CONTACT PIN	COPPER ALLOY	GOLD OVER NICKEL
4	COUPLING NUT	ZINC DIE CAST	BLACK E-COATED
5	OVERMOLD	PVC	YELLOW
6	CABLE- 16AWG, (65 X #34 COPPER STRANDING), 3 CONDUCTOR, 600V, TC-ER	TPE	YELLOW
7	LABEL	MYLAR	BLACK/YELLOW

VOLTAGE RATING	600 VAC/VDC
AMPERAGE RATING	13 AMPS
PROTECTION	IP67
OPERATING TEMPERATURE	-20°C TO 105°C
UL CERTIFICATIONS	UL RECOGNIZED, FILE NO. E152210

RLSO DRAWING EC NO: WNA2009-0631 DRWN: BWOODMAN 3/27/09 CH'KD: JM APPR: JFMURPHY 2009/04/01	DESCRIPTION A	QUALITY SYMBOL	GENERAL TOLERANCES (UNLESS SPECIFIED)	DIMENSION STYLE	SCALE	DESIGN UNITS	THIRD ANGLE PROJECTION															
		$\nabla=0$ $\sphericalangle=0$	<table border="1"> <tr> <td></td> <td>mm</td> <td>INCH</td> </tr> <tr> <td>4 PLACES</td> <td>±----</td> <td>±----</td> </tr> <tr> <td>3 PLACES</td> <td>±----</td> <td>±----</td> </tr> <tr> <td>2 PLACES</td> <td>±----</td> <td>±.01</td> </tr> <tr> <td>1 PLACE</td> <td>±0.3</td> <td>±----</td> </tr> </table>		mm	INCH		4 PLACES	±----	±----	3 PLACES	±----	±----	2 PLACES	±----	±.01	1 PLACE	±0.3	±----	IN/MM	----	----
			mm	INCH																		
		4 PLACES	±----	±----																		
3 PLACES	±----	±----																				
2 PLACES	±----	±.01																				
1 PLACE	±0.3	±----																				
DRAFT WHERE APPLICABLE MUST REMAIN WITHIN DIMENSIONS			DRAWN BY: BW DATE: 2009/03/27 CHECKED BY: TW DATE: 2009/03/27 APPROVED BY: DATE:	TITLE: MINI-CHANGE CORDSET 3 POLE MALE/FEMALE TPE CABLE MOLEX INCORPORATED																		
			SEE CHART	MATERIAL NO. SD-130010-001 DOCUMENT NO. SD-130010-001 SHEET NO. 1 OF 1																		
THIS DRAWING CONTAINS INFORMATION THAT IS PROPRIETARY TO MOLEX INCORPORATED AND SHOULD NOT BE USED WITHOUT WRITTEN PERMISSION																						